

D-Sub Full Metal, Rubber grommet, Side cable entry, Short JS

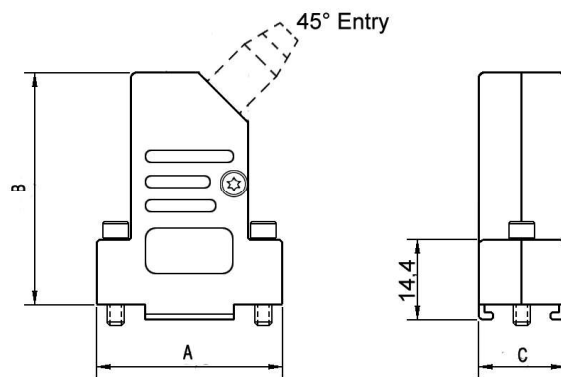
TECHNICAL SPECIFICATIONS

Material: Zinc, Nickel Plated
 Operating Temperature: -40°C to +120°C
 Cable Entry: 45° Side Entry
 Rubber Grommet RGS
 Strain relief: Clamp + Insert
 Thumbscrews: UNC 4-40 (Standard)
 M2,5 or M3 on request
 Cable O.D: Up to 11.5mm



Features:

- 360° EMI Shielding
- Quick assembly
- Pre-mounted locking screws
- Supports all types of cables
- Suitable for any common D-Sub connector
- Also available in non-magnetic version



Size DTSL	Dim A	Dim B	Dim C
9-way	32,2	42,0	14,5
15-way	40,8	42,3	14,9
25-way	54,0	42,3	14,9
37-way	70,5	48,0	15,1



Ordering information:

Size:	P/N - Kitted:	Product Code:
9-way	6560-0218-31	DTSL09-RG-SJS-S-K
15-way	6560-0218-32	DTSL15-RG-SJS-S-K
25-way	6560-0218-33	DTSL25-RG-SJS-S-K
37-way	6560-0218-34	DTSL37-RG-SJS-S-K

Size:	P/N - BULK:	Product Code:
9-way	6561-0218-31	DTSL09-RG-SJS-S
15-way	6561-0218-32	DTSL15-RG-SJS-S
25-way	6561-0218-33	DTSL25-RG-SJS-S
37-way	6561-0218-34	DTSL37-RG-SJS-S