

Datasheet

Banana Silicone Lead

No. 1612670 // MSB-501 blue 0.75 m

No. 1612684 // MSB-501 red 0.75 m

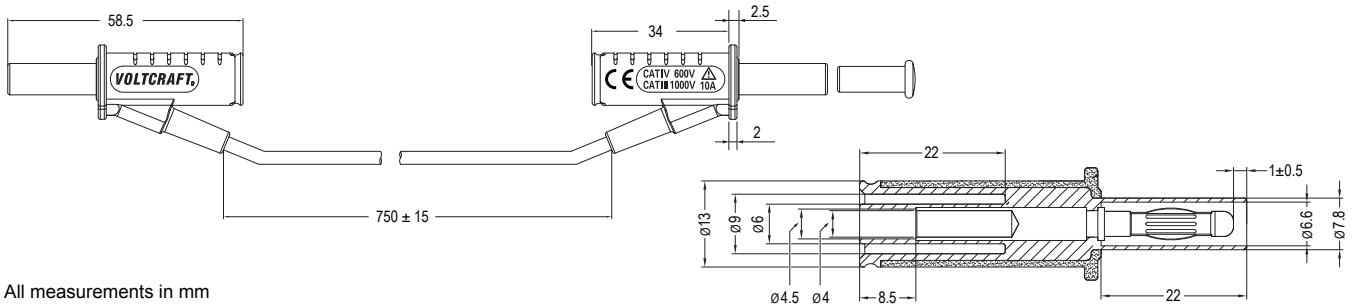
No. 1612689 // MSB-501 black 0.75 m

No. 1612693 // MSB-501 yellow 0.75 m

No. 1612703 // MSB-501 white 0.75 m

No. 1612710 // MSB-501 green 0.75 m

The VOLTCRAFT safety test lead MSB-501 is optimized for electrical connections and for measurements in the laboratory and craft. The rated current is 10 A and the rated voltage is 1000 V / AC (AC voltage) and 1000 V / DC (DC voltage). According to CAT IV, the nominal voltage is 600 V / AC and 1000 V / DC.



All measurements in mm

Technical data

| | |
|---------------------------------------|--------------------------------|
| Cable length | 0.75 m |
| Conductor size | 18 AWG |
| Pin dimensions | 4 mm |
| Type of contact | Spring-loaded pin |
| Cable type | Silicone |
| Cable specifications | Ø 3.6 mm, 0.85 mm ² |
| Wire stranding | 62 x 7 PLY |
| Rated voltage | CAT III 1000V, CAT IV 600V |
| Measurement category acc. to IEC61010 | CAT III / CAT IV |
| Rated current | 10 A |
| Contact resistance | 0.03 Ω |

Material

| | |
|--------------------------|--|
| Contact material | Contact pin: brass // Contact spring: copper-beryllium |
| Contact surface material | Nickel, alternative gold |
| Housing material | PP & TPE |
| Cable material | Silicone |
| Cable conductor material | Copper |
| Wire conductor | Copper (tin-coated) +200D bulletproof wire |
| Cable insulation layer | Silica gel |
| Cable coating | Silica gel |
| Available colours | Black // Red // Blue // Green // Yellow // White |

Environmental conditions

| | |
|-------------------|---------------|
| Temperature range | -15 to +70 °C |
|-------------------|---------------|

Inflammable class

| | |
|---------|-----------|
| Housing | UL 94 V-0 |
|---------|-----------|

This is a publication by Conrad Electronic SE, Klaus-Conrad-Str. 1, D-92240 Hirschau (www.conrad.com). All rights including translation reserved. Reproduction by any method, e.g. photocopy, microfilming, or the capture in electronic data processing systems require the prior written approval by the editor. Reprinting, also in part, is prohibited. This publication represent the technical status at the time of printing.

© Copyright 2022 by Conrad Electronic SE. 1612670.1612684.1612689.1612693.1612703.1612710_V3_1221_01_PIX_ds