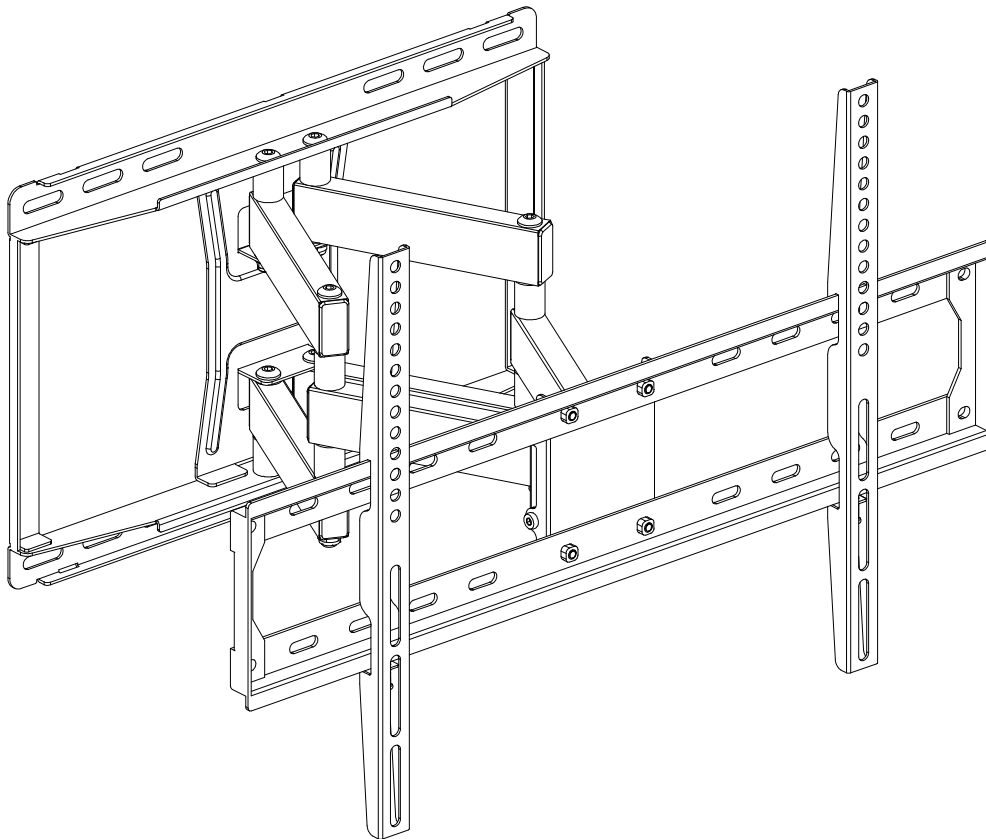


ASSEMBLY INSTRUCTION



MODEL : XD2480-L

▲ CAUTION:

- Please read this instruction carefully before assembly.
- Fits for 42-84in plasma and LCD TV.
- Weight Capacity :99LBS (45KG).

▲ CAUTION:

SAFETY WARNING:

Never let children climb on product or play with product.

Do not sit or stand on product.

Do not fasten a TV that is heavier than the recommended load rating to the mount.

Using suitable concrete wall or wood stud wall.

Improper installation may cause property damage and/or personal injury, so the installation must be done by two qualified contractors. The manufacture is not liable for damage or injury caused by incorrect mounting, assembly or use.

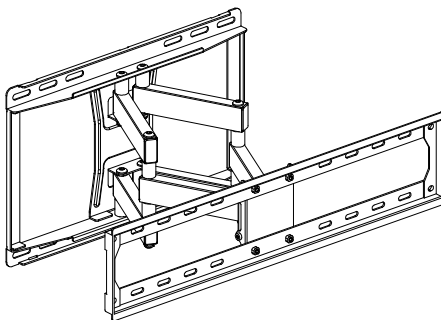
Improper handling can result in cuts and lacerations.

Pictures for reference only, subject to our available products.

Keep this instruction for future reference.

▲ **CAUTION** : This mount is intended for use with weights not exceeding "maximum weight capacity 99lbs." The wall itself has to be capable of supporting 4X standard weight. Pls don't over tighten screws in order to avoid any injury. Use with products heavier than the maximum weights indicated may result in collapse of the mount and its accessories causing possible injury.

● Part list:

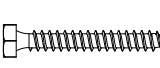
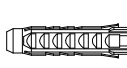




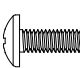
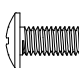
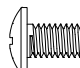
A-Wall plate unit
1pc









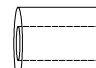


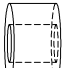

B-Bracket
2pcs

● Hardware list:

			
H--Lag bolt 4pcs	I--Anchor 4pcs	J--M8 washer 4pcs	K--Allen key 1pc

		
a--M4X12 bolt 4pcs	b--M5X12 bolt 4pcs	c--M6X12 bolt 4pcs

				
d--M8X25 bolt 4pcs	e--M4X30 bolt 4pcs	f--M5X30 bolt 4pcs	g--M6X35 bolt 4pcs	h--M8X50 bolt 4pcs

					
i--M5/M6 spacer 4pcs	j--M8 spacer 4pcs	k--M5/M4 washer 4pcs	l--M6 washer 4pcs	m--10mm spacer 4pcs	n--2.5mm spacer 8pcs

Step 1: Pls remove the plaster board on the surface of concrete wall when assembling mount on the concrete wall. Hold wall plate unit (A) against wall at desired position on concrete wall, then using a pencil mark 4 hole locations. Then drill holes according pencil marks using 3/8" size drill bit to a depth of 2.5". Then you will need to use wall anchors(I). Insert wall anchors(I) into holes, you may need to use hammer to lightly tap wall anchors into wall. Then fix wall plate(A) to the wall with screws (H) and washers (J). (Figure 1)

▲ CAUTION: The concrete wall minimum thickness no less than 5.5 inches, and surface covering can't more than 3/8 inches.

If you mount TV mount into wood studs ,pre-drill the mark 4 holes using 7/32" drill bit to a depth of 2.5", fix wall plate unit (A) to the wall with screws (H) and washers(J). (Figure 2)

▲ CAUTION: The wood stud min size is 2x4 inches, and surface covering can't more than 5/8 inches. Drill hole on the wooden pillars middle line.

▲ CAUTION: Don't use it on the concrete block.

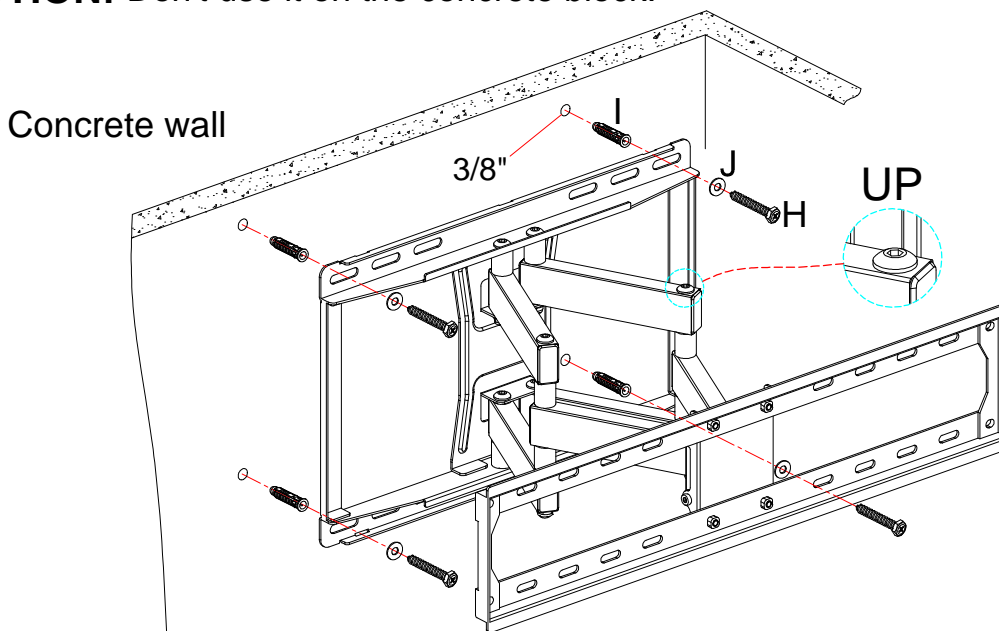


Figure 1 (keep the wall plate level)

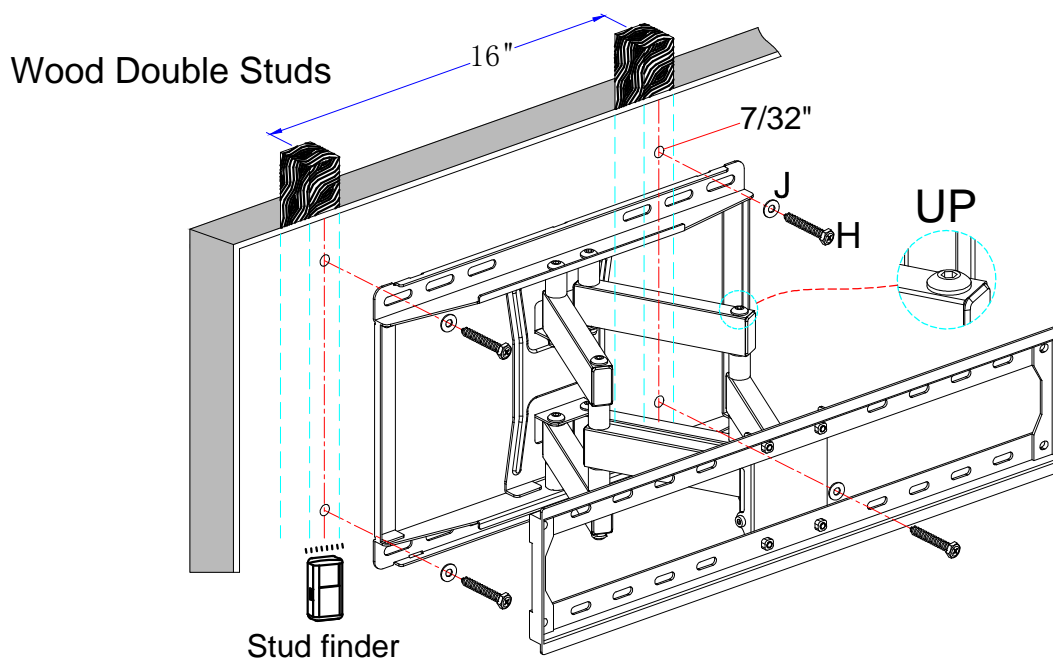


Figure 2 (keep the wall plate level)

Step 2: Attach Bracket (B) to the back of TV, choose corresponding bolt, washer, spacer to fix the holes of TV rear. (Figure 3)

CAUTION: Using incorrect bolts may damage your TV.

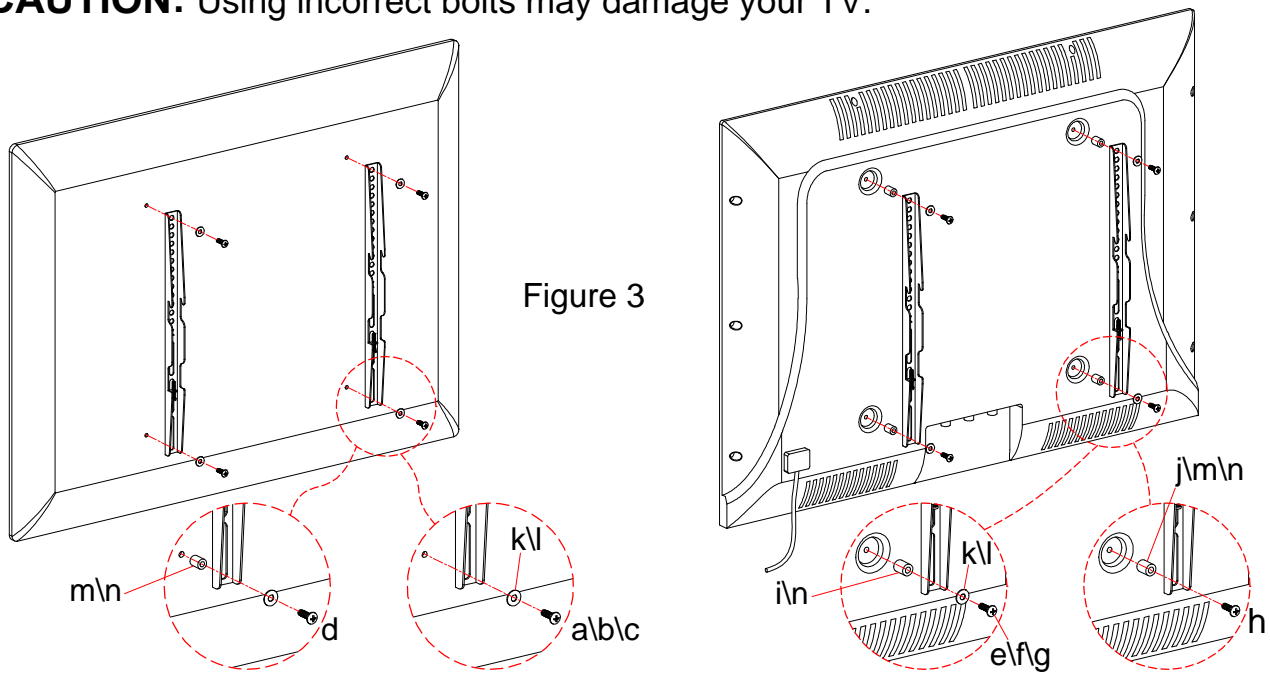


Figure 3

Step 3: Hang pre-assembled TV unit on the wall plate and then lock the safety screws. (Figure 4)

CAUTION: This step must require 2 or more professional to finish.

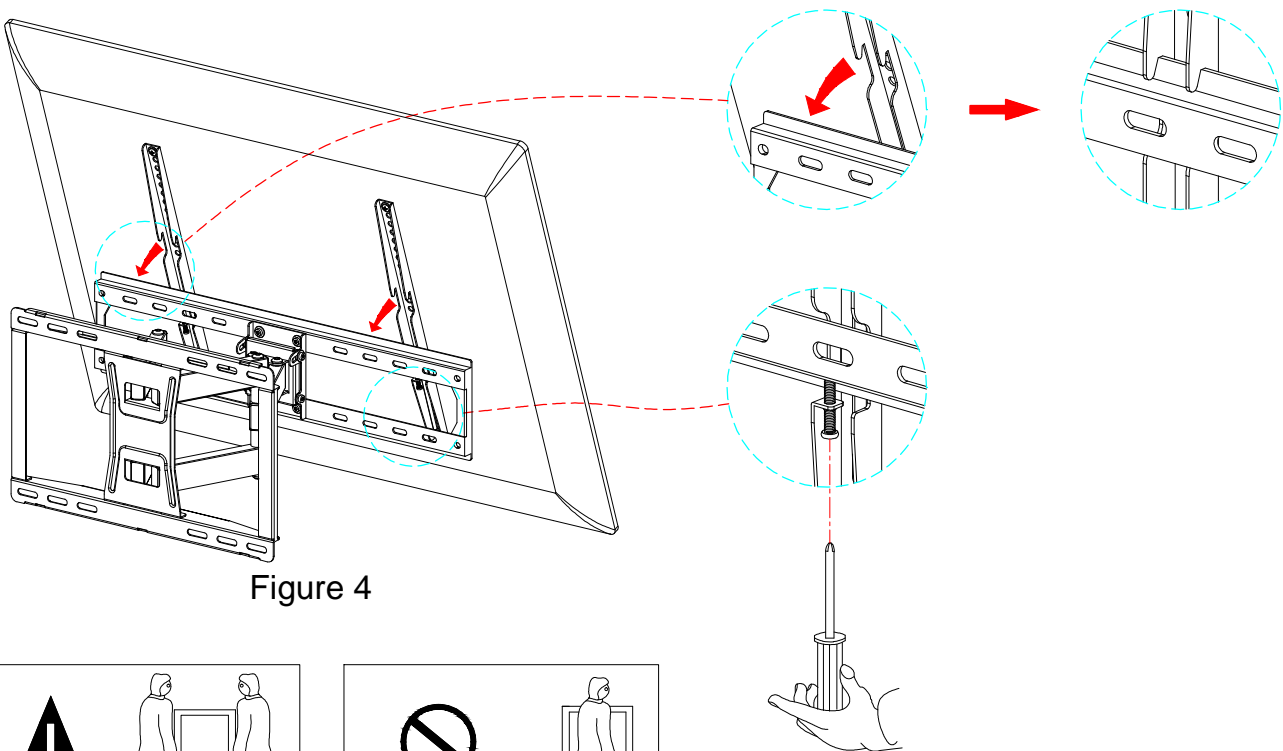


Figure 4

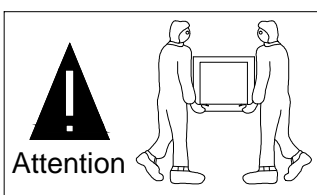


Figure 5

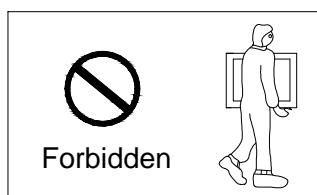


Figure 6

Step 4: You may need loosen the bolts with Allen key (K) to adjust TV to your desired angle please remember to fasten the bolts tightly after adjustment. (Figure7)

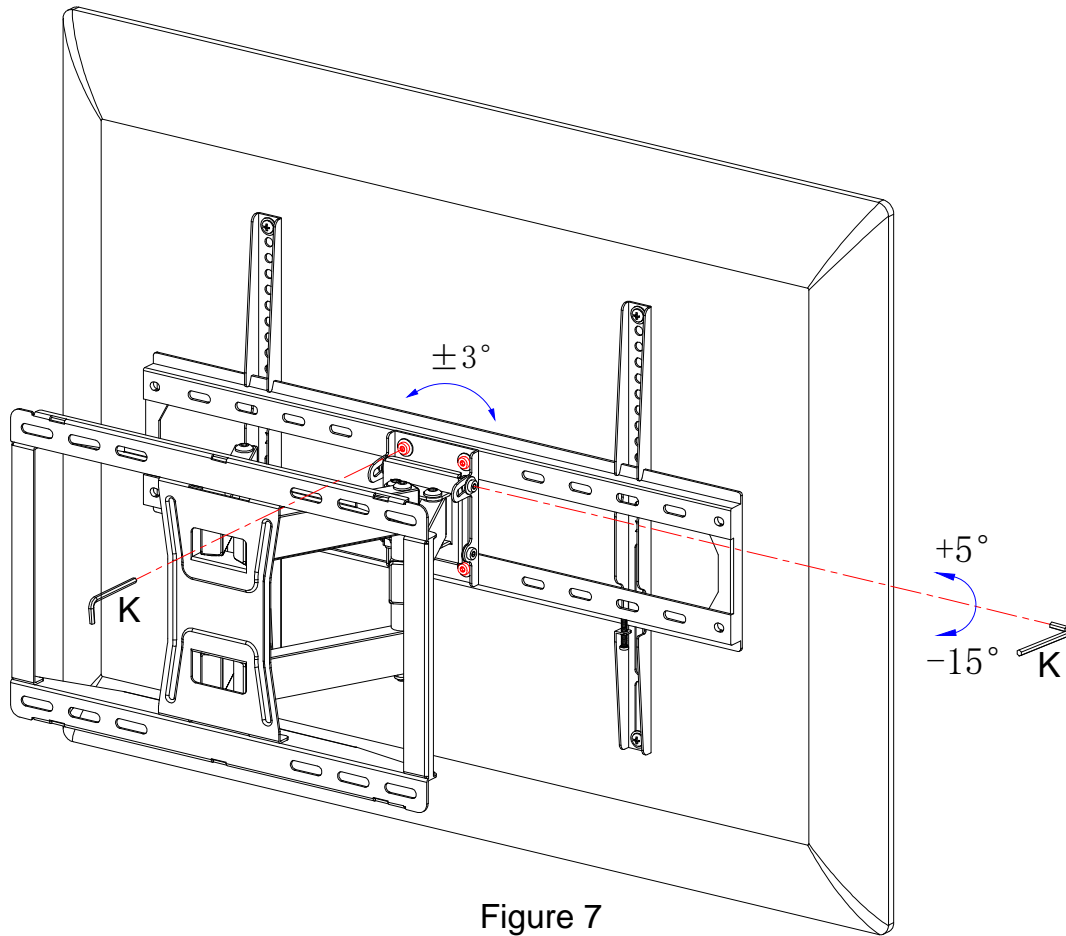


Figure 7

PAY EXTRA CARE AND ATTENTION WHEN YOU FASTEN TWO TV MOUNTS TO THE BACK PANEL OF TV IN STEP 2 . MAKE SURE THE APPROPRIATE MOUNT HARDWARE IS BEING USED PROPERLY .

1. Select correct Mounting Hardware according to the screw hole size of your TV, discard any remaining screws or spacers.
2. Carefully lay your TV on its face on a non-abrasivesurface, making sure to lay padding underneath it so as not to damage the screen .
3. Place left TV mount and right mount in the appropriate position, making sure **CENTERED** on the back of the TV and **LEVEL** with on another .
- 4.This product only install on the perpendicular wall,not install on the ceiling.