



## WARNING

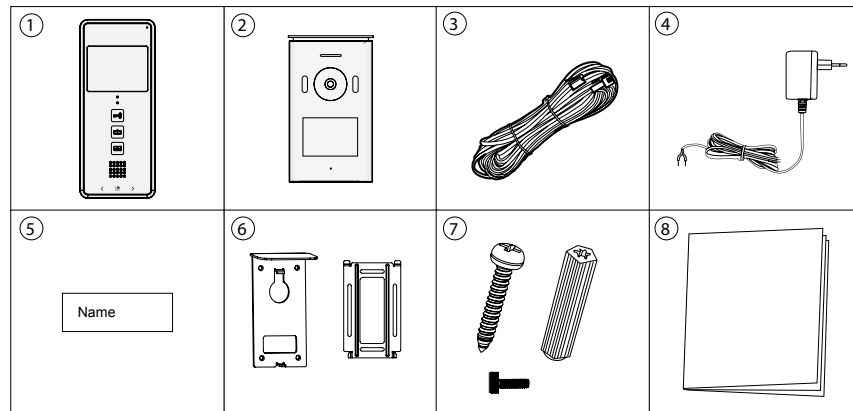
1. Please read these instructions carefully before installing and using the product.
2. Do not cut the power supply cable to extend it; the device (transformer) will not work with a longer cable. Do not plug in the device until all the wiring has been finished.

## INSTALLATION SAFETY

1. Keep children and bystanders away while installing the products. Distractions can cause you to lose control.
2. Do not overreach when installing this product. Keep proper footing and balance at all times. This enables better control in unexpected situations.
3. This product is not a toy. Mount it out of reach of children.

## OPERATION SAFETY

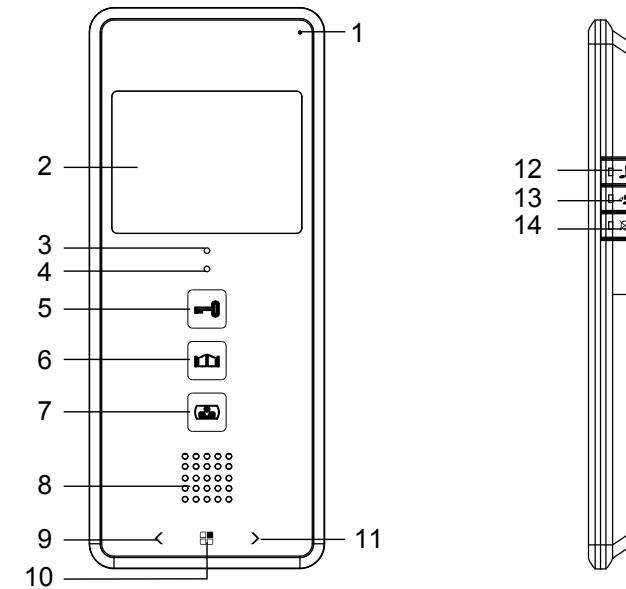
1. Do not operate electrically powered products in explosive atmospheres, such as in the presence of flammable liquids, gases, or dust. Electrically powered products create sparks which may ignite the dust or fumes.
2. The warnings, precautions, and instructions discussed in this instruction manual cannot cover all possible conditions and situations that may occur. It must be understood by the operator that common sense and caution are factors which cannot be built into this product, but must be supplied by the operator.
3. Do not expose the Power Adapter of this product to rain or wet conditions. Water entering the Power Adapter will increase the risk of electric shock.
4. Do not abuse the Power Cord. Never use the cord for unplugging the plug from the outlet. Keep cord away from heat, oil, sharp edges or moving parts. Damaged or entangled cords increase the risk of electric shock.
5. The adapter must match the outlet. Never modify the plug in any way. Unmodified plugs and matching outlets will reduce risk of electric shock.



1. Indoor monitor
2. Outdoor unit
3. Wiring
4. Adapter
5. Nameplate
6. Mounting plate
7. Screws and plugs
8. Quickstart guide

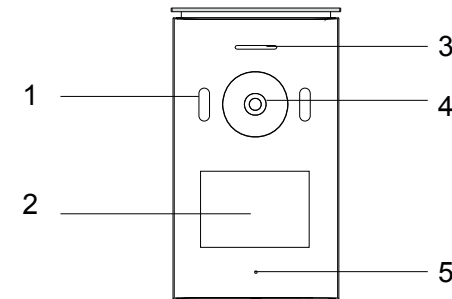
## PRODUCT OVERVIEW

### INDOOR MONITOR

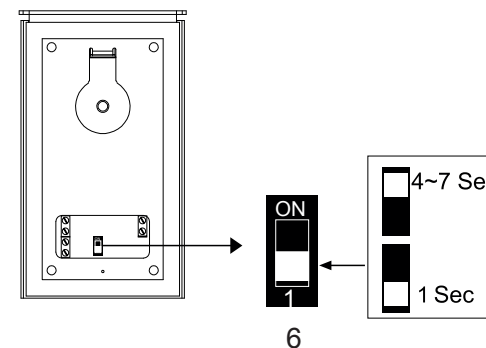


1. Microphone
2. 3.5 inch screen
3. Mute indicator
4. Power Indicator
5. Door Unlock button
6. Gate unlock button
7. Intercom/Monitor button
8. Speaker
9. + button
10. Menu button
11. - button
12. Select ringtone button
13. Adjust ring volume button
14. Mute button

### OUTDOOR UNIT

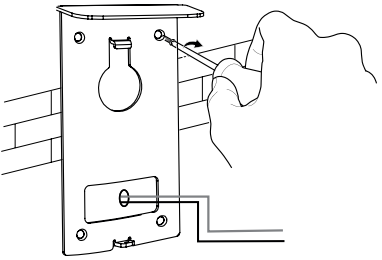


1. Infrared LED
2. Call button/ Name card
3. Speaker
4. Camera Lens
5. Microphone
6. Unlock time

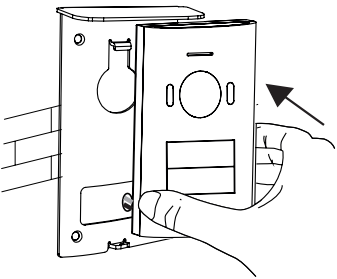


## INSTALLATION - OUTDOOR UNIT

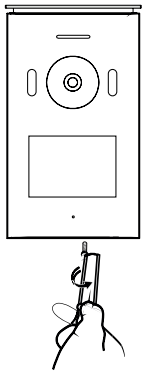
When installing the outdoor unit, make sure that the location you wish to install it is dry. It is important that the camera or the electronics do not get wet.



1. Drill holes in the wall, insert the wall plugs in the holes. Place the bracket and tighten the screws.

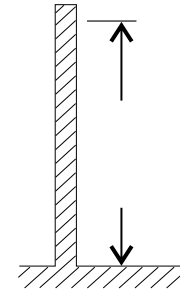


2. Connect the wires (see WIRING).  
3. Mount the outdoor unit on the bracket. Make sure it is properly secured.

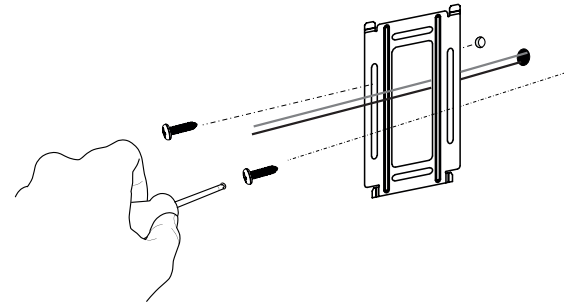


4. Use the special security screw on the bottom of the unit, to prevent theft.

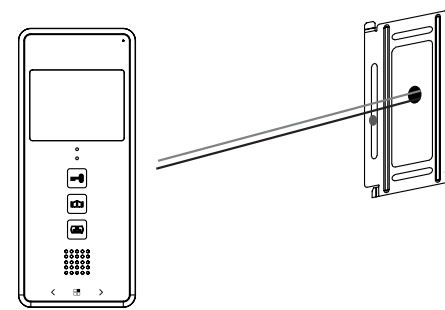
## INSTALLATION - INDOOR MONITOR



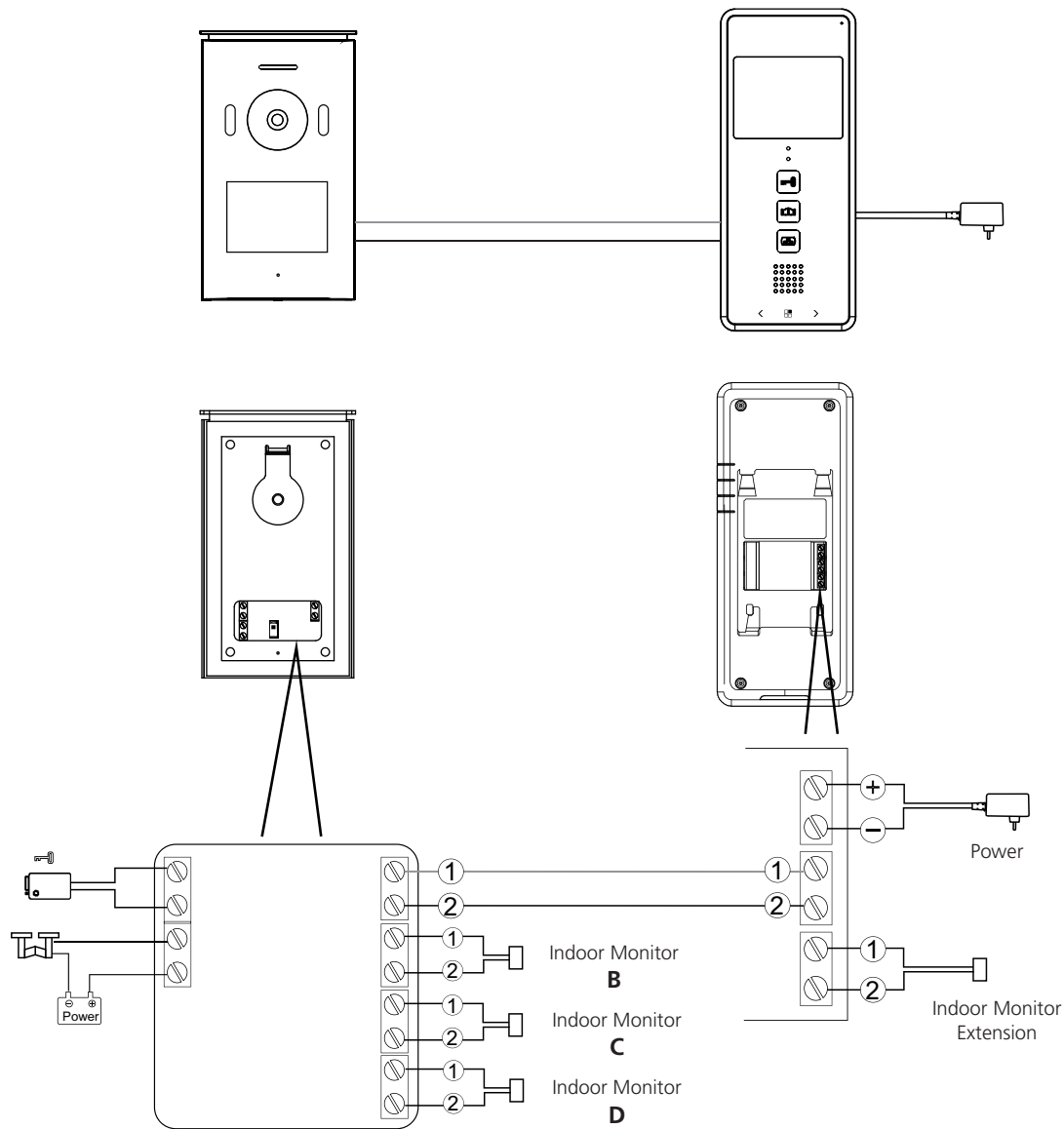
1. Select a suitable location for installation.



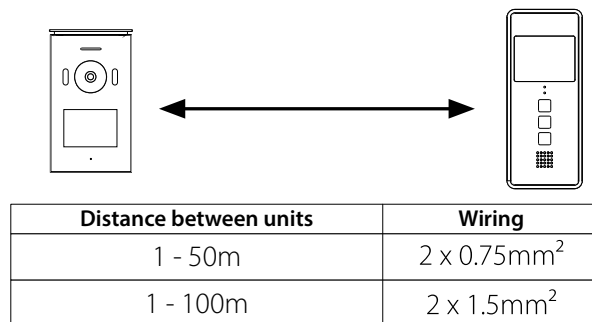
2. Drill holes in the wall, insert the wall plugs in the holes. Place the bracket and tighten the screws.  
3. Connect the wires (see WIRING). Please pay attention to the color markings



4. Mount the indoor-monitor unit on the bracket. Make sure it is properly secured.  
5. Plug in the AC adapter after making sure all the wires are properly connected.



Indoor-monitor **B**, **C** and **D** are optional, depending on how many indoor monitors you intend to use.



**Intercom function:** When in standby, when a visitor presses the call button on the outdoor unit, the indoor-monitor will chime and you will see a live view of the visitor on the screen. Press the intercom button to speak to the visitor.



**Monitor function:** Press this button on the indoor-monitor unit to see a live view of the outdoor unit camera.



**Internal Intercom:** When in standby, press and hold the intercom button to activate the internal intercom function. Use this to communicate between your different indoor monitors.



**Unlocking the door:** After identifying your visitor, you can press this button to unlock the door.



**Unlocking the gate:** After identifying your visitor, you can press this button to unlock the gate.



**Setting your ringtone:** Press this button multiple times to set the melody of your choice.



**Adjusting the ringtone volume:** Press this button to turn up the volume.



**Muting the ringtone:** Press this button to mute the ringtone, for when you don't want to be disturbed.



**Adjusting the video settings:** Press the menu button to enter the video settings menu. Use the arrow buttons to adjust the brightness, contrast and colour of the display. Press the menu button to switch between these settings.

## INDOOR MONITOR

Supply Voltage	15V $\pm$ 1A
Screen size	3.5" inch
Color configuration	R.G.B.delta
Video System	PAL/NTSC
Effective Pixels	320x240
Consumption current	300mA $\pm$ 10mA
Operation temperature	-10°C - +50°C
Operation Humidity	85%(Max)

## OUTDOOR UNIT

Imaging sensor type	1/4" CMOS
View angle	70°
Minimum illumination	0Lux
Night vision distance	0.5 - 1m
Operating temperature	-10°C - +50°C
Operating humidity	$\leq$ 85%RH

## SAFETY INFORMATION

### Precaution

- Do not cover the ventilation openings with objects such as newspaper, table cloths, curtains etc.
- Do not allow this product to get directly into contact with heat sources or naked flames.
- The normal operation of the product may be disturbed by strong electro-magnetic interference.
- This equipment is built exclusively for domestic use.
- The device must not be exposed to splashes and it must not be submerged.
- No object containing liquids, such as a vase, may be placed on the device.
- Maintain a minimum safety distance of 10cm all around the product in order to insure proper ventilation.
- Insure the outdoor unit is not installed where it may be covered by water or rain.
- Do not allow children to play with the device



Conforms to all relevant European Directives.



This symbol is known as the 'Crossed-out Wheelie Bin Symbol'. When this symbol is marked on a product or battery, it means that it should not be disposed of with your general household waste. Some chemicals contained within electrical/electronic products or batteries can be harmful to health and the environment. Only dispose of electrical/electronic/battery items in separate collection schemes, which cater for the recovery and recycling of materials contained within. Your co-operation is vital to ensure the success of these schemes and for the protection of the environment.

<b>smartwares</b> Europe	NL : 088 5940501 Lokaal tarief	<b>CUSTOMER SERVICE</b>
	BE : 078 481094(NL) Lokaal tarief	
BE : 078 481540(FR) Tarif local		
FR : 0825 560 650 18ct/min		
DE : +49 (0) 1805 010762 14Ct./Min. dt. Festnetz, Mobil max. 42Ct./Min		
UK : +44 (0) 345 230 1231		
<b>service.smartwares.eu</b>	ES : +34 938427589	