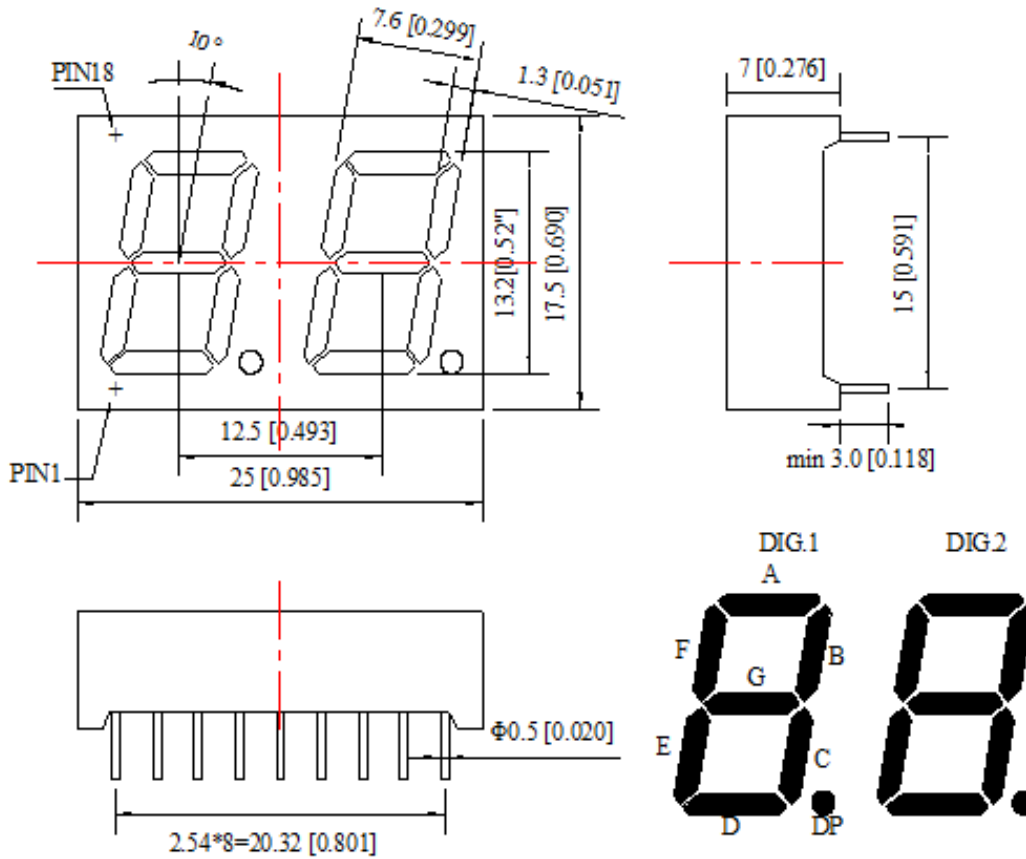
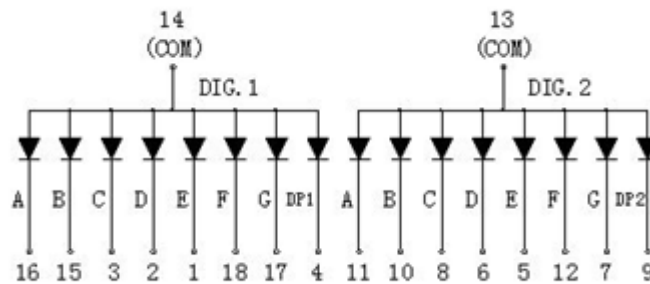


## 0.52" Dual Digit Numeric Displays Common Anode

### Package Dimension:



Common Anode



### Notes:

All dimensions are in millimeters (inches).  
 Tolerance is  $\pm 0.25$  mm (.010") unless otherwise noted.  
 Specifications are subject to change without notice.

# Datasheet

Item no. 1619021 / 1619020 / 1619019

## Absolute Maximum Ratings at Ta=25°C

Parameters	Symbol	Max.	Unit
Power Dissipation Per Segment	PD	60	mW
Peak Forward Current Per Segment (1/10 Duty Cycle, 0.1ms Pulse Width)	IFP	100	mA
Forward Current Per Segment	IF	25	mA
Dating Linear From 50°C		0.4	mA/°C
Reverse Voltage	VR	5	V
Operating Temperature Range	Topr	-40°C to +80°C	
Storage Temperature Range	Tstg	-40°C to +85°C	
Soldering Temperature	Tsld	260°C for 5 Seconds	

## Electrical Optical Characteristics at Ta=25°C

Source Color	Model No.	VF(V)			IR(μA)	IV(mcd)			λd(nm)		
		Min.	Typ.	Max.		Min.	Typ.	Max.	Min.	Typ.	Max.
		IF=20mA			VR=5V			IF=20mA			
Red	TRU-7S2-52RAG	--	2.0	2.6	50	6	12	--	640	650	660
Yellow Green	TRU-7S2-52GAG	--	2.1	2.7	50	8	16	--	568	572	575
Blue	TRU-7S2-52BAG	--	3.2	3.8	50	13	25	--	460	467	475
White		--	3.2	3.6	50	65	130	--	X=0.30	Y=0.31	

### Notes:

Luminous intensity is measured with a light sensor and filter combination that approximates the CIE eye-response curve.

The dominant wavelength (λd) is derived from the CIE chromaticity diagram and represents the single wavelength which defines the color of the device.