

SW200 700/SW250 920/FLOORTEC 570 M/FLOORTEC 592 M MANUAL PUSH SWEEPER INSTRUCTION FOR USE



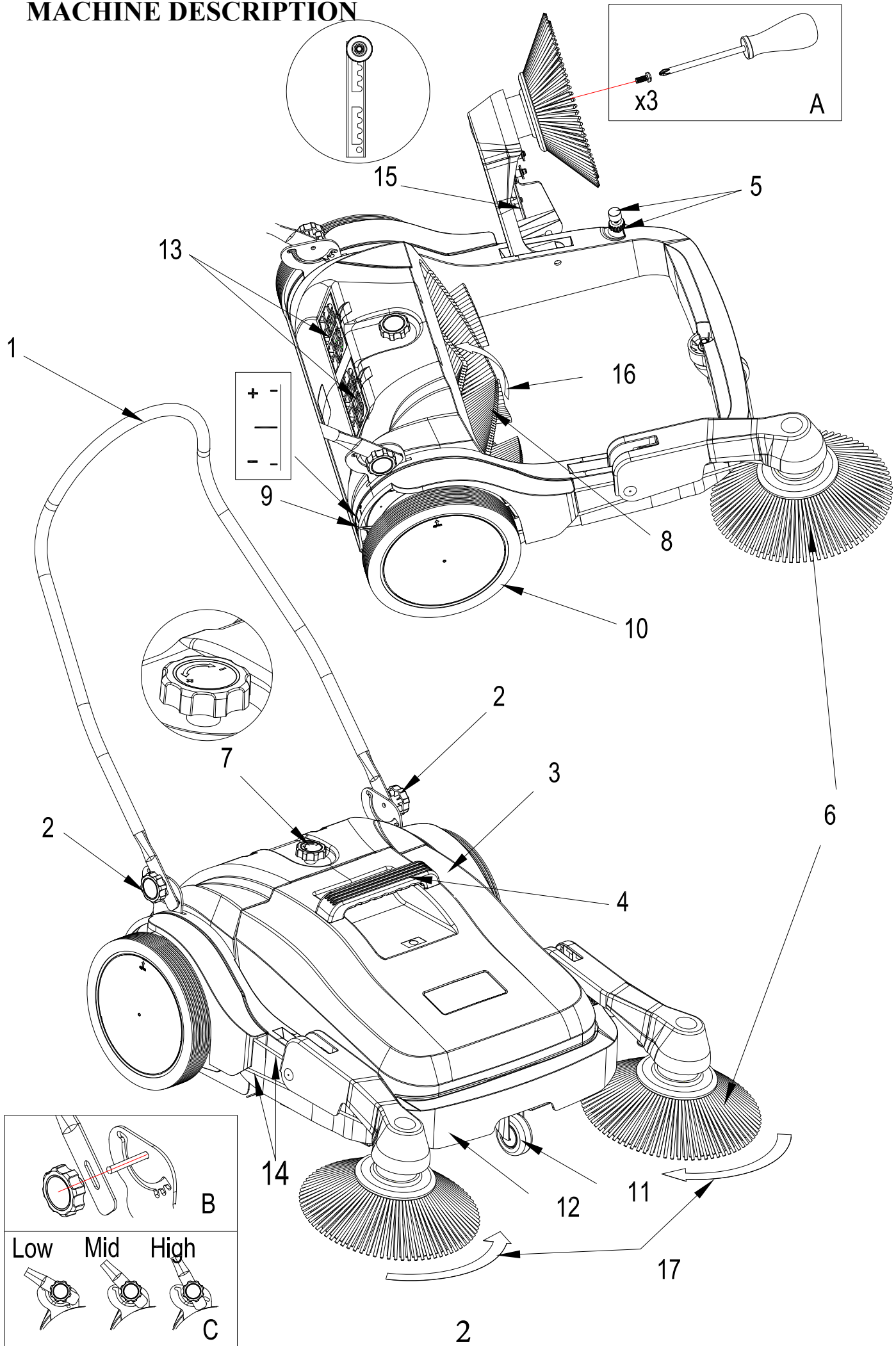
ENGLISH	USER MANUAL.....	3
DEUTSCH	BETRIEBSANLEITUNG.....	4
FRANÇAIS	MANUEL UTILISATEUR.....	5
NEDERLANDS	GEbruikers HANDLEIDING.....	6
ITALIANO	MANUALE D'USO.....	7
ESPAÑOL	INSTRUCCIONES DE USO.....	8
PORTUGUÊS	MANUAL DO UTILIZADOR.....	9
ΕΛΛΗΝΙΚΑ	ΕΓΧΕΙΡΙΔΙΟ ΧΡΗΣΗΣ.....	10
ČESKÝ	UŽIVATELSKÝ MANUÁL.....	11
POLSKI	INSTRUKCJA OBSŁUGI.....	12
MAGYAR	FELHASZNÁLÓI KÉZIKÖNYV.....	13
ROMÂNĂ	MANUALUL UTILIZATORULUI.....	14
РУССКИЙ	ИСТРУКЦИЯ ПО ПРИМЕНЕНИЮ.....	15
БЪЛГАРСКИ	РЪКОВОДСТВО НА ПОТРЕБИТЕЛЯ.....	16
SLOVENŠČINA	NAVODILA ZA UPORABO.....	17
SLOVAK	POUŽIVATELSKÁ PRÍRUČKAUSER MANUAL.....	18
DANSK	BRUGERMANUAL.....	19
SVENSKA	BRUKSANVISNING.....	20
NORSK	BRUKERHÅNDBOK.....	21
SUOMI	KÄYTTÄJÄN OPAS.....	22
	TECHINICAL DATA.....	23

Model: 50000493/50000494/50000495/50000496

Rev.02 June 2017 VP11016



MACHINE DESCRIPTION



INTRODUCTION

NOTE: The numbers in brackets refer to the components shown in Machine Description chapter.



Before operating the machine, carefully read this manual.

SPARE PARTS AND MAINTENANCE

Any repair must be performed at an authorized Nilfisk Service Centre by qualified personnel, using Nilfisk original spare parts and accessories only. For more information, please contact the local dealer.

UNPACKING/DELIVERY

Upon delivery, check that the packing and the machine are not damaged during transportation. In case of visible damages, keep the whole packing to have it checked. Contact the Dealer immediately to file a freight damage claim.

Check contents of package to ensure that following items are included:

1. Machine
2. Side broom (x1 or x2)
3. Side broom screws (x3 or x6)
4. Handlebar
5. Handlebar nuts(x2)
6. Instruction for use and Part list

GENERAL INSTRUCTIONS

Specific warnings and cautions about potential damage to people and the machine are shown below.



WARNING!

To reduce the risk of fire or personal injuries:

- The sweeper is not suitable for collecting dangerous powders.
- The sweeper is not suitable to collect liquids.
- The sweeper must be used in dry conditions, it must not be used or kept outdoors in wet conditions.
- Do not collect toxic, carcinogen, combustible materials or other dangerous materials such as asbestos, arsenic, barium, beryllium, lead, pesticide or other harmful materials.
- Do not collect burning cigarette butts or other burning objects such as ash, matches or similar.
- To remove glass, metals or sharp objects from the collection tank, wear thick gloves to prevent personal injuries.
- Empty the hopper after each use.
- Do not use the sweeper on inclined surfaces.
- Do not allow to be used as a toy. Pay careful attention when using the machine near children.
- Use only original Nilfisk brooms.
- During the sweeper operation, foreign materials may get into the eyes of the operator. Thus, it is advisable to wear protective glasses.
- Please be watchful. Pay careful attention to the machine operation and use common sense. Do not use the machine when tired, absent-minded, under the effect of drugs, alcohol or medicines which can compromise the control over the machine.

MACHINE DESCRIPTION (see figure on page2)

1. Handlebar (Assembly as page2 B)
2. Handle adjusting knobs
3. Hopper

4. Hopper handle
5. Side broom height adjusting knob
6. Side broom (Assembly as page2 A)
7. Main broom height adjusting knob
8. Main broom
9. Main broom adjusting indicator
10. Drive wheel
11. Caster
12. Chassis
13. Filter
14. Belt
15. Belt tension structure
16. Main broom rotation direction
17. Side broom rotation direction

SWEEPER OPERATION

1. If necessary, adjust the handlebar (1) to one of the 3 positions (show as page2 C) by using the knobs (2).
2. Hold the handlebar and push the machine forward no faster than a normal walking pace. The machine does not work if dragged backwards.
3. The hopper (3) should be emptied after each working cycle and whenever it is full.

AFTER USING THE MACHINE

After working, before leaving the machine: empty the hopper (3) and check the main broom (8) to remove foreign materials (lace, wire, strings or similar) which can compromise the correct operation.

To store the machine in a narrow place, fold the handlebar (1).

- Loosen the knobs (2) and pull the handlebar upwards.
- Fold down the handlebar and lock it.

Then place the machine in a vertical position to preserve the broom bristles.

ADJUSTMENT

Adjust the broom height when the bristles are worn or when their efficiency is compromised.

1. Adjust the height of the main broom (8) with the knob (7), the yellow indicator (9) on the knob will rotate to indicate the adjustment.



Note: If the main broom ground pressure is adjusted over “+”, higher physical force is required to push the machine, and the broom wear is increased.

2. Adjust the height of the side broom (6) with the knob (5). To turn the side broom up from the ground, screw the upper part of the knob counter-clockwise, then fix the under part of the knob.
In opposite, to turn the side broom down, unscrew the under part of the knob first and then turn the upper part of the knob clockwise, after that, fix the under part of the knob.
3. If the belt (14) is loose, adjust it by the belt tension structure (15). Unscrew the two screws on the structure, and then move the structure (15) to appropriate position and fix the two screws.

After the adjustment, push the machine to check if it moves smoothly, without difficulty or resistance. Otherwise, repeat the adjustment procedure.

If the brooms or belt is worn, replace it.

SCRAPPING

Have the machine scrapped by a qualified scrapper.

TECHNICAL DATA

	One side broom	Two side brooms
	1320*850*1058MM	1320*920*1058MM
	960*850*1058MM	960*920*1058MM
	480MM	480MM
	700MM	920MM
	38L	38L
	19.5KG	20KG
	2800m ² /h	3680m ² /h