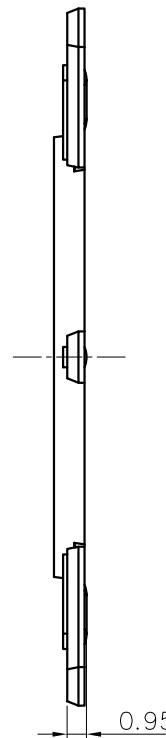
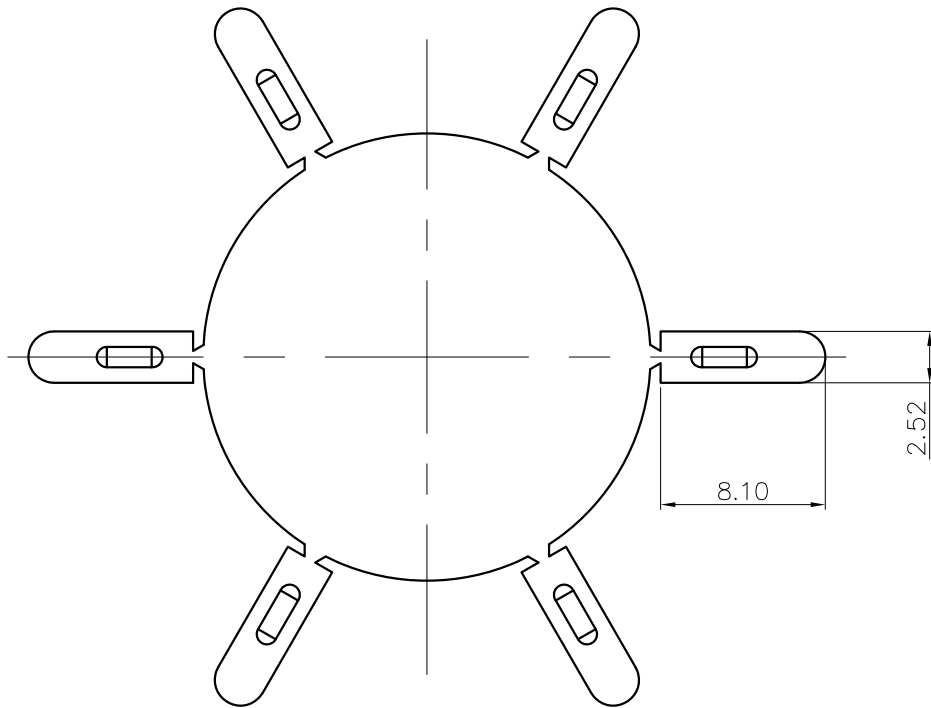


REVISION RECORD				
REV	ECN	DESCRIPTION	DRFT	DATE



- NOTES:
- 1.Dimension shall be interpreted per ASME Y14.5-2009
 - 2.Poles : N=06P
 - 3.Operating temperature: -40°C~+105°C
 - 4.Undimensioned tolerances:

Pitch range in mm		Nominal dimension range in mm				-	∩	□
TO	Over TO	Over TO	Over TO	Over TO	Over TO	0.1/10		
6	6 TO 10	10 TO 24	30 TO 60	60 TO 100	100 TO 150	∠		
±0.15	±0.20	±0.30	±0.30	±0.50	±0.70	±1.00	±1.30	±2'

5.RoHS Compliance

15EDG-PWI - 06P - 16 - 00A (H)
 (Series No.) (Poles) (Single Pitch) (Color): 6.(Red)
 (RoHS)
 -00A-(Standard)



DETACHED LISTS	PART NO.:	宁波高松电子有限公司 NINGBO DEGSON ELECTRICAL CO., LTD			
	APPD:	NAME: 15EDG-PWI-06P-16-00A(H)			
	CHKD:	TITLE: CUSTOMER DRAWING			
	DRFT:	DRAWING NO.:		REV	DO
THIRD ANGLE PROJECTION		MM (INCH)	DO NOT SCALE DRAWING	SHEET	1/1
			SCALE	1:1	