



eco|mate®
AQUARIUS™
Waterproof Connectors

Phase 1 Catalog



We Are Amphenol

Global Interconnect Solution Supplier

For over 80 years Amphenol has enjoyed success as the interconnection technology provider of choice for industry leading companies around the world. Our organization works with leading manufacturers across a wide range of applications - including Energy Generation & Distribution, Transportation, Heavy Equipment, Factory Automation, Wireless Outdoor, Information Technology and Data Communications Equipment, Mobile Devices, Mobile Networks, Broadband Communication, Military and Commercial Aerospace, Industrial, Automotive and Chip Card Readers - enabling smarter, faster and better technologies to connect products to customer solutions.

Our engineers design innovative combinations of industry standard connectors and application specific shielding components to create assembly systems that set the standards for performance, reliability, and cost effectiveness. Our engineering, materials, and manufacturing organizations meet the high standards imposed by ISO 9001:2008 as well as many customer specific quality systems. Our performance has earned us ship to stock and world class performance awards from many major OEMs.

We are one of the largest interconnect solution suppliers in the world and supply a wide range of product solutions globally. The industrial market footprint of Amphenol covers more than 30 countries.



© 2015 Amphenol Sine Systems Corporation. Every effort has been made to ensure that the information contained in this document is accurate at the time of publication. Specifications or information stated in this document are subject to change without notice. www.amphenol-sine.com +1 800 394 7732

eco|mate® Aquarius

Waterproof Connectors

Table of Contents

We Are Amphenol

Global Interconnect Solution Supplier	1
---------------------------------------	---

Connector Guide

Introduction to eco mate® Aquarius	4
Typical Applications	5
Overview	6
Connector Configurations	7
Insert Arrangements	8

Connector Solutions

3 POSITIONS 7A / 250V	13
3 POSITIONS 13A / 500V	21
3 POSITIONS 13A / 600V	47
4 (2+2) POSITIONS 13A & 7.5A/5.0A / 500V	27
4 (2+2) POSITIONS 23A & 7.5A/5.0A / 350V	59
4 (2+2) POSITIONS 23A & 13A / 500V	83
4 (2+2) POSITIONS 23A & 13A / 500V	89
4 POSITIONS 7A / 250V	17
4 POSITIONS 13A / 500V	35
4 POSITIONS 13A / 500V	53
4 POSITIONS 23A / 500V	77
6 POSITIONS 7.5A/5.0A / 250V	41
7 POSITIONS 13A / 500V	91
8 POSITIONS 13A / 500V	65
8 POSITIONS 13A / 500V	97
10 POSITIONS 7.5A / 5A / 250V	71
12 POSITIONS 13A / 500V	103
19 POSITIONS 7.5A / 5A / 250V	109

Appendix

Glossary of Terms	114
Part Number Index	116

Introduction to eco|mate® Aquarius

Quick Reliable Mating

Bayonet Coupling

With a quick twist of the bayonet coupling system, these connectors provide positive tactile feedback to insure confident mating. This feature also reduces time and labor during installation.

Economical and Flexible

Mixed Power & Signal Layouts

Power and signal contacts can be combined in a variety of inserts providing a highly flexible interconnect solution to reduce system complexity and minimize installation costs.

Waterproof

IP68/69k in mated condition

Corrosion Resistant

Salt Spray >500 hours

Designed to withstand climate ingress and exposure to salt spray or a corrosive atmosphere while still maintaining mechanical and electrical functionality.

Wide Ranging Contact System

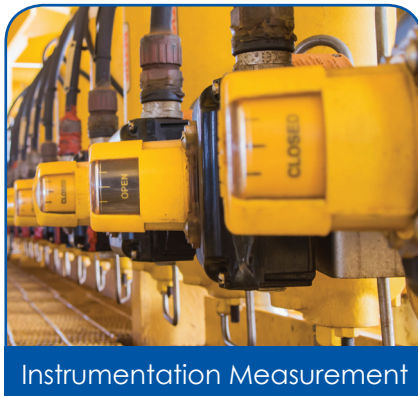
Flexible Contact Solutions

Our contact system offers the flexibility of using a wide variety of contact styles and wire gauges within various connectors, shell sizes and insert layouts, providing customers with a total solution.

eco|mate® Aquarius

Waterproof Connectors

Typical Applications



ecomate® Aquarius Waterproof Connectors



Overview

ecomate Aquarius™ - Technical Specifications

IP Rating	Dynamic IP68/69K
Flammability Rating	UL94-VO
Fluid Resistance	Gas, oil, mineral oil, acid bath, basic bath
RoHS Compliant	RoHS All materials meet the requirements of the European Directive 2002/95/EC, Issue 13.2.2003
Approvals	UL Compliant
Temperature Range	-40°C to +105°C Standard Products with NBR Seal -40°C to +125°C Standard Products with Silicone Seal
Max. Current (AMP)	23A
Max. Voltage Rating (AC/DC)	500V
Contact Resistance	#16 <6 mΩ #20 <15 mΩ 2.5mm < 5 mΩ

Min. Mating Cycles	>500 mating cycles
Vibration	10-2000 Hz, level of 20 G's
Test Voltage Rating	1500V
Overvoltage Category	III
Strain Relief Clamp Range	1.5 - 14.0mm
Wire Range	28-12AWG
Housing Body	Thermoplastic UL94-VO
Insulation Inserts	Thermoplastic, UL94-VO
Insulation Resistance	5000 megohms min. of 25°C
Contacts	Copper Alloy (Gold, Tin & Silver Plating are available)
Sealing Material	SR/NBR
Thermal Shock	No cracking, chipping or leaking after 20 test cycles from -55°C to 125°C

High Performance Cost Effective Waterproof Connectors

Connector Configurations

Plug

Receptacle



Choose Contacts

Choose Contacts

- Choice of Contacts
- Machined
 - Stamped and Formed



Custom Solutions Available For:

- Various Applications
- Extreme Environments
- Reducing the Number of Suppliers
- Molded Strain Relief
- Minimize Stress on Conductors
- 360 ° Shielding Available
- Custom Logo
- Enhanced Sealing Properties

Contact the Factory to learn more


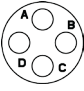

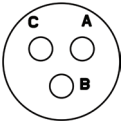
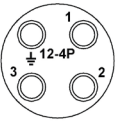
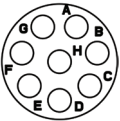

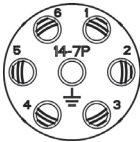
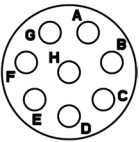
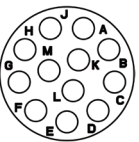
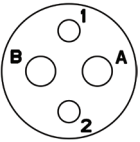
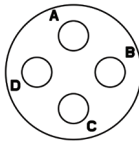
- Choice of Contacts
- Machined
 - Stamped and Formed



eco|mate® Aquarius

Waterproof Connectors

Insert Arrangements

Shell Size	Contact #16 (Ø 1.6)		Mixed Power & Signal	Contact 2.5mm
8	Consult factory		Consult factory	
10	 <p>3 positions Contact #16 (Ø 1.6) 13A 500V see page 25</p>	 <p>4 positions Contact #16 (Ø 1.6) 13A 500V see page 39</p>	<p>Consult factory</p>  <p>4 positions Contacts #16 (Ø 1.6) & #20 (Ø 1.0) 13A & 20# 7.5 A/5A 500V AC/DC see page 31</p>	Consult factory
12	 <p>3 positions Contact #16 (Ø 1.6) 13A 600V see page 51</p>	 <p>4 positions Contact #16 (Ø 1.6) 13A 500V see page 57</p>	 <p>8 positions Contact #16 (Ø 1.6) 13A 500V see page 69</p>	 <p>4 positions Contacts #16 (Ø 1.6) & #20 (Ø 1.0) 23A & 20# 7.5 A/5A 350V AC/DC see page 63</p>
14	 <p>7 positions Contact #16 (Ø 1.6) 13A 500V AC/DC see page 95</p>	 <p>8 positions Contact #16 (Ø 1.6) 13A 500V AC/DC see page 103</p>	 <p>12 positions Contact #16 (Ø 1.6) 13A 500V see page 111</p>	 <p>4 positions Contacts 2.5mm & 16 (Ø 1.6) 23A & 13A 500V AC/DC see page 83</p>  <p>4 positions Contact 2.5mm 23A 500V AC/DC see page 81</p>

Coming Soon in 2017!

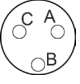
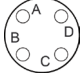
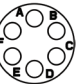
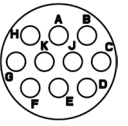
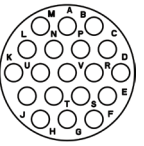
More Shell Sizes & Positions

RADSOK® Power Connectors

Insert Arrangements are Pin Faceview

Connector Guide

Insert Arrangements (con't)

Shell Size	Contact #20 (Ø 1.0)	
8	 <p>3 positions Contact #16 (Ø 1.6) 7A 250V see page 15</p>	 <p>4 positions Contact #16 (Ø 1.6) 7A 250V see page 21</p>
10	 <p>6 positions Contact #20 (Ø 1.0) 5A, 7A(machined) 250V see page 45</p>	Consult factory
12	 <p>10 positions Contact #20 (Ø 1.0) 5A, 7.5A(machined) 250V see page 75</p>	
14	 <p>19 positions Contact #20 (Ø 1.0) 5A, 7.5A(machined) 250V see page 119</p>	

eco|mate® Aquarius

Waterproof Plastic Connectors

Connector Solutions

SHELL SIZE 8

3 POSITIONS 7A / 250V	13
4 POSITIONS 7A / 250V	17

SHELL SIZE 10

3 POSITIONS 13A / 500V	21
4 (2+2) POSITIONS 13A & 7.5A/5.0A / 500V	27
4 POSITIONS 13A / 500V	35
6 POSITIONS 7.5A/5.0A / 250V	41

SHELL SIZE 12

3 POSITIONS 13A / 600V	47
4 POSITIONS 13A / 500V	53
4 (2+2) POSITIONS 23A & 7.5A/5.0A / 350V	59
8 POSITIONS 13A / 500V	65
10 POSITIONS 7.5A / 5A / 250V	71

SHELL SIZE 14

4 POSITIONS 23A / 500V	77
4 (2+2) POSITIONS 23A & 13A / 500V	83
7 POSITIONS 13A / 500V	91
8 POSITIONS 13A / 500V	97
12 POSITIONS 13A / 500V	103
19 POSITIONS 7.5A / 5A / 250V	109

STEP 1
Choose Receptacle Style

STEP 2
Choose Plug Style

Jam Nut Receptacles



Plugs



SEE TABLE ON NEXT PAGE FOR PART DETAILS

CONTACTS SOLD SEPARATELY SEE PAGE 15

Coming Soon in 2017!

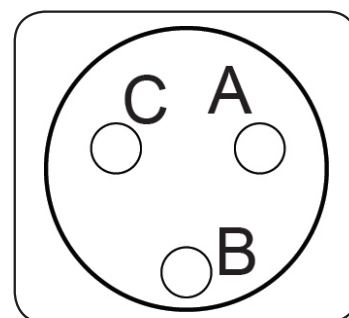
Square Flange Receptacles



Shell Size: 8 Number of Contacts: 3 Contact Size: 20
Sealing: IP68 / IP69k Salt Spray: 500h

eco | mate® Aquarius
Standard Products

- Waterproof Dynamic IP68/68K when in mated/unmated condition
- Suitable for Indoor/ Outdoor Applications
- Bayonet Rapid Coupling System
- 500 Mating Cycles
- Salt Spray ≥ 500 Hours
- UL ECBT2 & UL ETCBB Certified*



Insert Arrangement
Pin (Male) Faceview

Connector Part Numbers - Receptacles

PART NO#	Description	Temperature Range	Figure Drawing
RTS78N3P	Receptacle, jam nut, 3 positions, size 8, pin contact, NBR seal	-40C to 105C	1
RTS78N3S	Receptacle, jam nut, 3 positions, size 8, socket contact NBR seal	-40C to 105C	1

Connector Part Numbers - Plugs

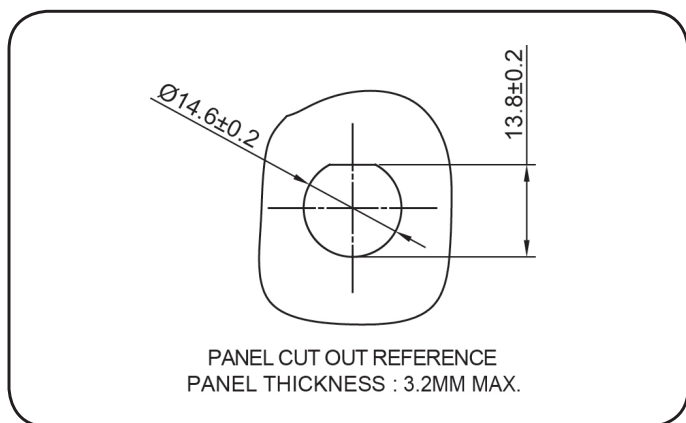
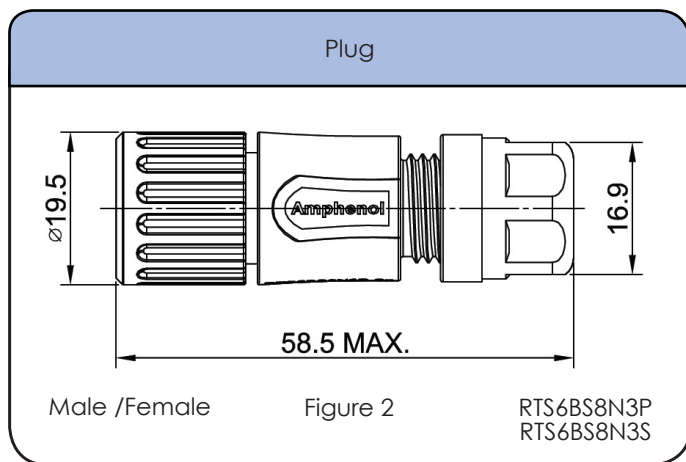
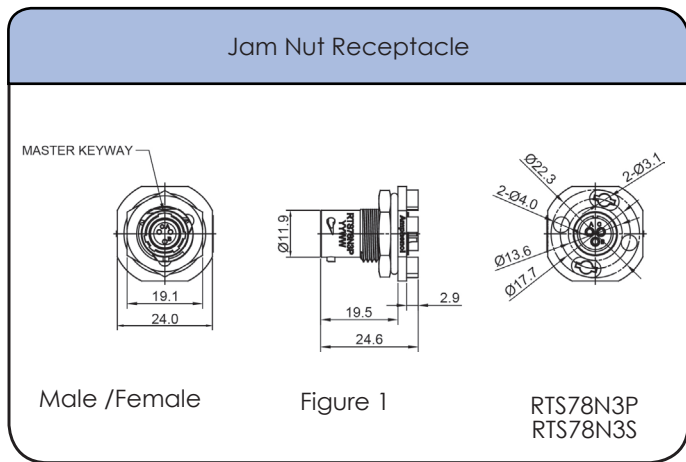
PART NO#	Description	Temperature Range	Figure Drawing
RTS6BS8N3P	Straight plug with cord grip, 3 positions, size 8, pin contact, NBR seal	-40C to 105C	2
RTS6BS8N3S	Straight plug with cord grip, 3 positions, size 8, socket contact, NBR seal	-40C to 105C	2

Contacts supplied separately see page 15

Shell Size: 8 Number of Contacts: 3
 Sealing: IP68 / IP69k Salt Spray: 500h

Contact Size: 20AWG

Dimensions Receptacles / Plugs



Shell Size: 8 Number of Contacts: 3 Contact Size: 20
 Sealing: IP68 / IP69k Salt Spray: 500h

Contacts



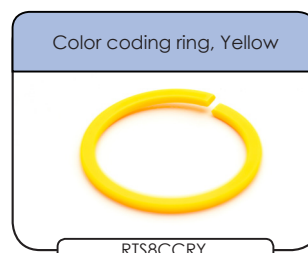
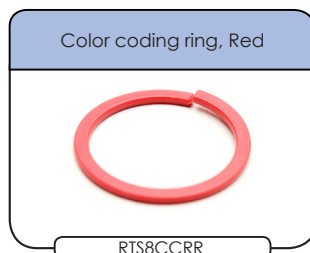
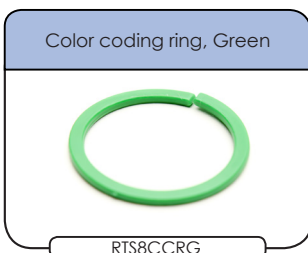
Crimp Contacts, Machined

Part Number		AWG	Wire Ranges (mm ²)	Plating
Male	Female			
MP20W23F	MS20W23F	22-20	.34-.50	Gold Flash
MP20W23G5	MS20W23G5	22-20	.34-.50	Gold 5μ"
MP20W23G10	MS20W23G10	22-20	.34-.50	Gold 10μ"
MP20W23G15	MS20W23G15	22-20	.34-.50	Gold 15μ"
MP20W23G30	MS20W23G30	22-20	.34-.50	Gold 30μ"
MP28W23F	MS28W23F	30-28	.05-.08	Gold Flash
MP28W23G5	MS28W23G5	30-28	.05-.08	Gold 5μ"
MP28W23G10	MS28W23G10	30-28	.05-.08	Gold 10μ"
MP28W23G15	MS28W23G15	30-28	.05-.08	Gold 15μ"
MP28W23G30	MS28W23G30	30-28	.05-.08	Gold 30μ"

Tools



Accessories



STEP 1
Choose Receptacle Style

STEP 2
Choose Plug Style

Jam Nut Receptacles



Plugs



SEE TABLE ON NEXT PAGE FOR PART DETAILS

CONTACTS SOLD SEPARATELY SEE PAGE 19

Coming Soon in 2017!

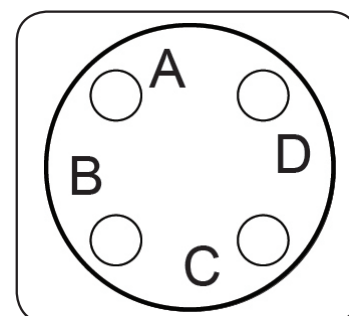
Square Flange Receptacles



Shell Size: 8 Number of Contacts: 4 Contact Size: 20
Sealing: IP68 / IP69k Salt Spray: 500h

eco | mate® Aquarius
Standard Products

- Waterproof Dynamic IP68/68K when in mated/unmated condition
- Suitable for Indoor/ Outdoor Applications
- Bayonet Rapid Coupling System
- 500 Mating Cycles
- Salt Spray ≥ 500 Hours
- UL ECBT2 & UL ETCBB Certified*



Insert Arrangement
Pin (Male) Faceview

Connector Part Numbers - Receptacles

PART NO#	Description	Temperature Range	Figure Drawing
RTS78N4P	Receptacle, jam nut, 4 positions, size 8, pin contact, NBR seal	-40 to 105°C	1
RTS78N4S	Receptacle, jam nut, 4 positions, size 8, socket contact, NBR seal	-40 to 105°C	1

Connector Part Numbers - Plugs

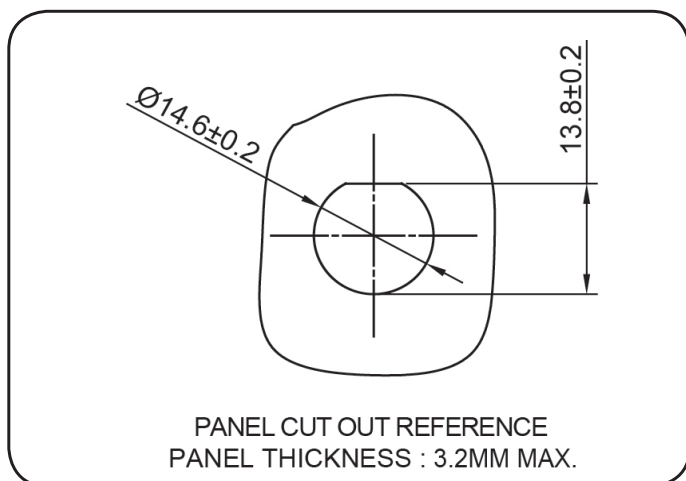
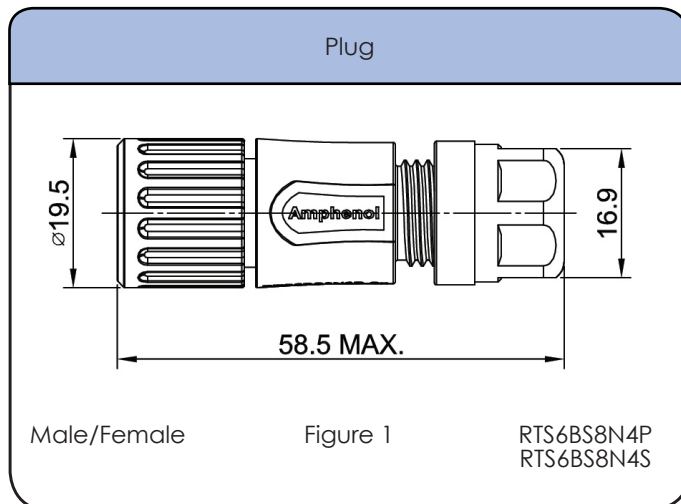
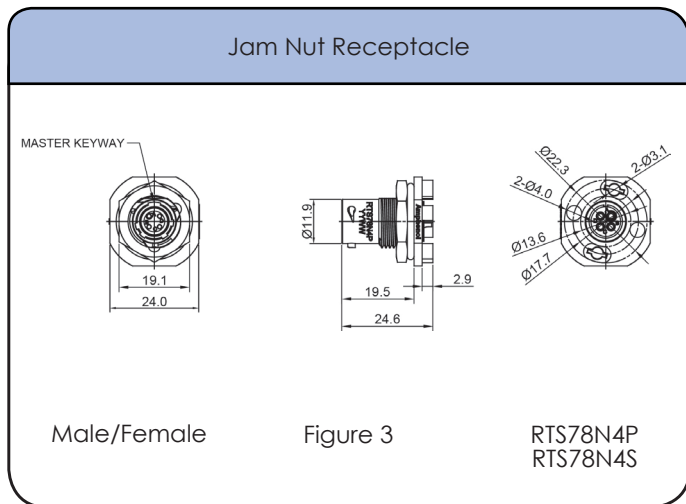
PART NO#	Description	Temperature Range	Figure Drawing
RTS6BS8N4P	Straight plug with cord grip, 4 positions, size 8, pin contact, NBR seal	-40 to 105°C	2
RTS6BS8N4S	Straight plug with cord grip, 4 positions, size 8, socket contact, NBR seal	-40 to 105°C	2

Contacts supplied separately see page 19

Shell Size: 8 Number of Contacts: 4 Sealing: IP68 / IP69k Salt Spray: 500h

Contact Size: 20

Dimensions Receptacles/ Plugs



Shell Size: 8 Number of Contacts: 4 Contact Size: 20
 Sealing: IP68 / IP69k Salt Spray: 500h

Contacts



Crimp Contacts, Machined

Part Number		AWG	Wire Range (mm ²)	Plating
Male	Female			
MP20W23F	MS20W23F	22-20	.34-.50	Gold Flash
MP20W23G5	MS20W23G5	22-20	.34-.50	Gold 5μ"
MP20W23G10	MS20W23G10	22-20	.34-.50	Gold 10μ"
MP20W23G15	MS20W23G15	22-20	.34-.50	Gold 15μ"
MP20W23G30	MS20W23G30	22-20	.34-.50	Gold 30μ"
MP28W23F	MS28W23F	30-28	.05-.08	Gold Flash
MP28W23G5	MS28W23G5	30-28	.05-.08	Gold 5μ"
MP28W23G10	MS28W23G10	30-28	.05-.08	Gold 10μ"
MP28W23G15	MS28W23G15	30-28	.05-.08	Gold 15μ"
MP28W23G30	MS28W23G30	30-28	.05-.08	Gold 30μ"

Tools

Contact Extraction Tool,
#20 (Ø 1.6) Contact



QXRT20

Hand Crimp Tool for
Machined Contacts



MFX-3959

Pneumatic Crimp Tool for
Machined Contact



MFX-3960

Accessories

Color coding ring, Green



RTS8CCRG

Color coding ring, Red



RTS8CCRR

Color coding ring, Yellow



RTS8CCRY

STEP 1
Choose Receptacle Style

STEP 2
Choose Plug Style

Jam Nut Receptacles



RTS710N3P



RTS710N3P03



RTS710N3S



RTS710N3S03

Plugs



RTS6BS10N3P



RTS6BS10N3S



RTS6BS10N3P03



RTS6BS10N3S03



SEE TABLE ON NEXT PAGE FOR PART DETAILS

CONTACTS SOLD SEPARATELY SEE PAGE 24

Coming Soon in 2017!

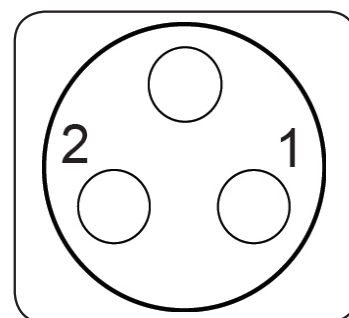
Square Flange Receptacles



Shell Size: 10 Number of Contacts: 3 Contact Size: 16
Sealing: IP68 / IP69k Salt Spray: 500h

eco | mate® Aquarius
Standard Products

- Waterproof Dynamic IP68/68K when in mated/unmated condition
- Suitable for Indoor/ Outdoor Applications
- Bayonet Rapid Coupling System
- 500 Mating Cycles
- Salt Spray ≥ 500 Hours
- UL ECBT2 & UL ETCBB Certified*



Insert Arrangement
Pin (Male) Faceview

Connector Part Numbers -Receptacles

PART NO#	Description	Temperature Range	Figure Drawing
RTS710N3P	Receptacle, jam nut, 3 positions, size 10, pin contact, NBR seal	-40 to 105°C	1
RTS710N3P03	Receptacle, jam nut, 3 positions, size 10, pin contact, silicone rubber seal	-40 to 125°C	1
RTS710N3S	Receptacle, jam nut, 3 positions, size 10, socket contact, NBR seal	-40 to 105°C	2
RTS710N3S03	Receptacle, jam nut, 3 positions, size 10, socket contact, silicone rubber seal	-40 to 125°C	2

Connector Part Numbers -Plugs

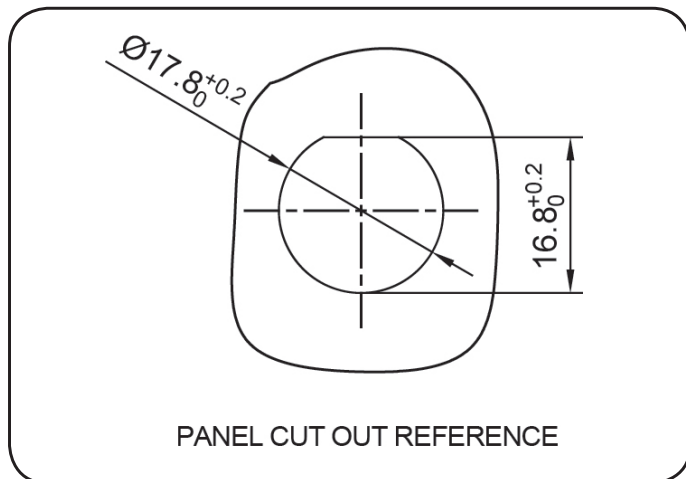
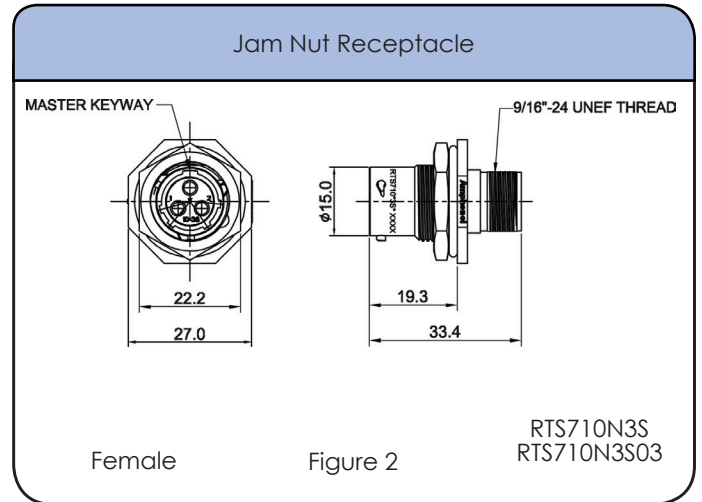
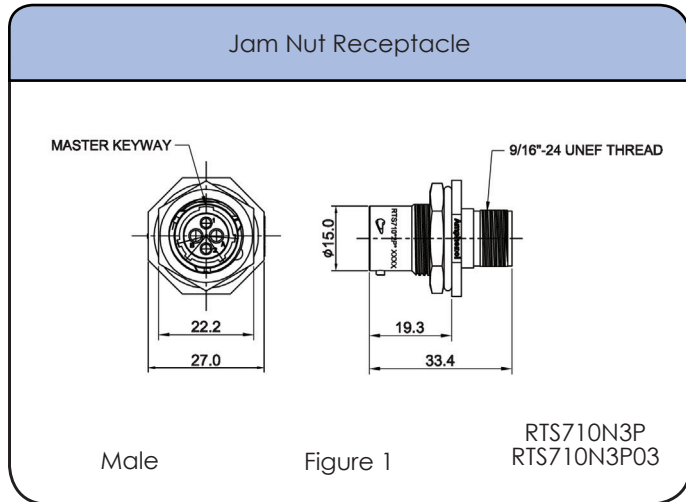
PART NO#	Description	Temperature Range	Figure Drawing
RTS6BS10N3P	Straight plug with cord grip, 3 positions, size 10, pin contact, NBR seal	-40 to 105°C	5
RTS6BS10N3P03	Straight plug with cord grip, 3 positions, size 10, pin contact, silicone rubber seal	-40 to 125°C	5
RTS6BS10N3S	Straight plug with cord grip, 3 positions, size 10, socket contact, NBR seal	-40 to 105°C	6
RTS6BS10N3S03	Straight plug with cord grip, 3 positions, size 10, socket contact, , silicone rubber seal	-40 to 125°C	6

Contacts supplied separately see page 24

Shell Size: 10 Number of Contacts: 3
 Sealing: IP68 / IP69k Salt Spray: 500h

Contact Size: 16

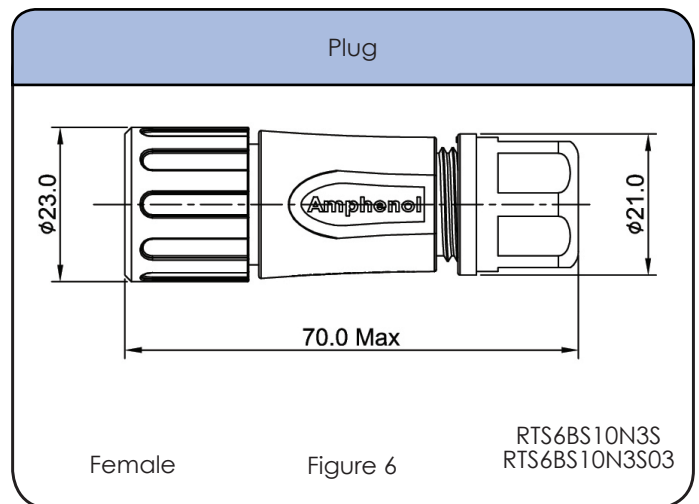
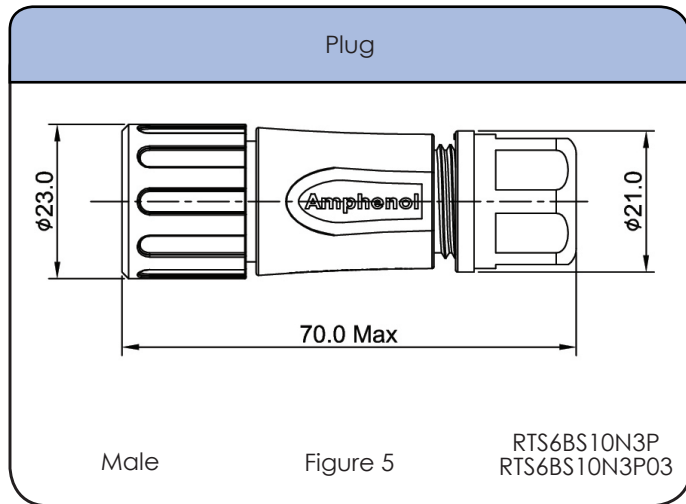
Dimensions Jam Nut Receptacles



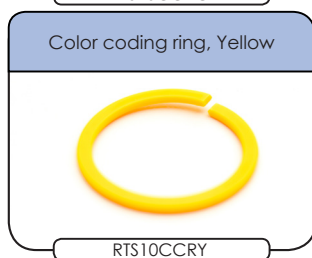
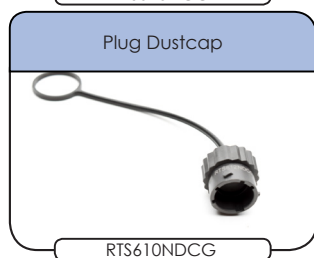
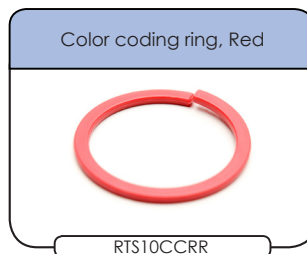
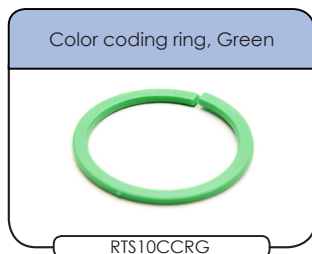
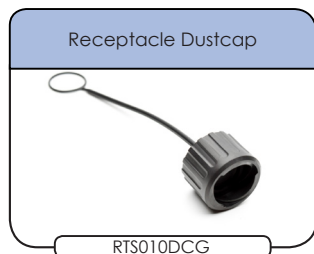
Shell Size: 10 **Number of Contacts: 3**
Sealing: IP68 / IP69k **Salt Spray: 500h**

Contact Size: 16

Dimensions Plugs



Accessories



Shell Size: 10 Number of Contacts: 3 Contact Size: 16
 Sealing: IP68 / IP69k Salt Spray: 500h

Contacts Machined



Crimp Contacts, Machined

Part Number		AWG	Wire Range (mm ²)	Plating
Male	Female			
MP14M23F	MS14M23F	14	2.0-2.5	Gold Flash
MP14M23G5	MS14M23G5	14	2.0-2.5	Gold 5μ"
MP14M23G10	MS14M23G10	14	2.0-2.5	Gold 10μ"
MP14M23G15	MS14M23G15	14	2.0-2.5	Gold 15μ"
MP14M23G30	MS14M23G30	14	2.0-2.5	Gold 30μ"
MP16M23F	MS16M23F	18-16	.75-1.5	Gold Flash
MP16M23G5	MS16M23G5	18-16	.75-1.5	Gold 5μ"
MP16M23G10	MS16M23G10	18-16	.75-1.5	Gold 10μ"
MP16M23G15	MS16M23G15	18-16	.75-1.5	Gold 15μ"
MP16M23G30	MS16M23G30	18-16	.75-1.5	Gold 30μ"
MP20M23F	MS20M23F	22-20	.34-.50	Gold Flash
MP20M23G5	MS20M23G5	22-20	.34-.50	Gold 5μ"
MP20M23G10	MS20M23G10	22-20	.34-.50	Gold 10μ"
MP20M23G15	MS20M23G15	22-20	.34-.50	Gold 15μ"
MP20M23G30	MS20M23G30	22-20	.34-.50	Gold 30μ"
MP24M23F	MS24M23F	26-24	.14-.25	Gold Flash
MP24M23G5	MS24M23G5	26-24	.14-.25	Gold 5μ"
MP24M23G10	MS24M23G10	26-24	.14-.25	Gold 10μ"
MP24M23G15	MS24M23G15	26-24	.14-.25	Gold 15μ"
MP24M23G30	MS24M23G30	26-24	.14-.25	Gold 30μ"

Tools



Shell Size: 10 Number of Contacts:3 Contact Size: 16
Sealing: IP68 / IP69k Salt Spray: 500h

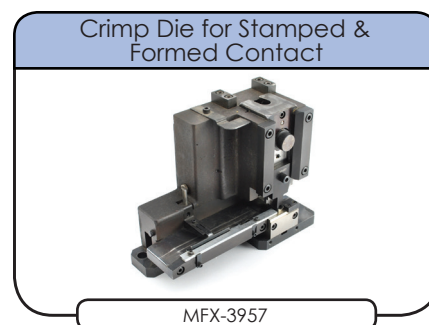
Contacts Stamped & Formed



Crimp Contacts, Stamped & Formed

Part Number		AWG	Wire Range (mm ²)	Plating
Male	Female			
SP14M1F	SS14M1F	14	2.0-2.5	Gold Flash
SP14M1G5	SS14M1G5	14	2.0-2.5	Gold 5μ"
SP14M1G10	SS14M1G10	14	2.0-2.5	Gold 10μ"
SP14M1G15	SS14M1G15	14	2.0-2.5	Gold 15μ"
SP14M1G30	SS14M1G30	14	2.0-2.5	Gold 30μ"
SP16M1F	SS16M1F	18-16	.75-1.5	Gold Flash
SP16M1G5	SS16M1G5	18-16	.75-1.5	Gold 5μ"
SP16M1G10	SS16M1G10	18-16	.75-1.5	Gold 10μ"
SP16M1G15	SS16M1G15	18-16	.75-1.5	Gold 15μ"
SP16M1G30	SS16M1G30	18-16	.75-1.5	Gold 30μ"
SP20M1F	SS20M1F	22-20	.34-.50	Gold Flash
SP20M1G5	SS20M1G5	22-20	.34-.50	Gold 5μ"
SP20M1G10	SS20M1G10	22-20	.34-.50	Gold 10μ"
SP20M1G15	SS20M1G15	22-20	.34-.50	Gold 15μ"
SP20M1G30	SS20M1G30	22-20	.34-.50	Gold 30μ"
SP24M1F	SS24M1F	22-20	.14-.25	Gold Flash
SP24M1G5	SS24M1G5	26-24	.14-.25	Gold 5μ"
SP24M1G10	SS24M1G10	26-24	.14-.25	Gold 10μ"
SP24M1G15	SS24M1G15	26-24	.14-.25	Gold 15μ"
SP24M1G30	SS24M1G30	26-24	.14-.25	Gold 30μ"

Tools



STEP 1
Choose Receptacle Style

STEP 2
Choose Plug Style

Jam Nut Receptacles



RTS710N2P



RTS710N2P03



RTS710N2S



RTS710N2S03

Plugs



RTS6BS10N2P



RTS6BS10N2S



RTS6BS10N2P03



RTS6BS10N2S03



RTS6BS10N2PHEC03



RTS6BS10N2SHEC03

SEE TABLE ON NEXT PAGE FOR PART DETAILS

CONTACTS SOLD SEPARATELY SEE PAGE 31

Coming Soon in 2017!

Square Flange Receptacles

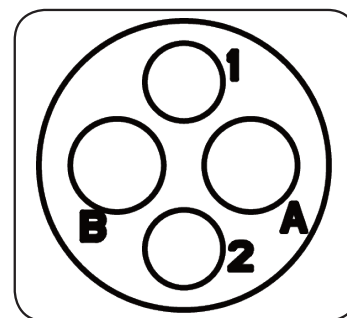


Shell Size: 10 Number of Contacts: 4 (2+2)
Sealing: IP68 / IP69k Salt Spray: 500h

Contact Size: 2-20AWG/2-16AWG

eco | mate® Aquarius
Standard Products

- Waterproof Dynamic IP68/68K when in mated/unmated condition
- Suitable for Indoor/ Outdoor Applications
- Bayonet Rapid Coupling System
- 500 Mating Cycles
- Salt Spray ≥ 500 Hours
- UL ECBT2 & UL ETCBB Certified*



Insert Arrangement
 Pin (Male) Faceview

Connector Part Numbers -Receptacles

PART NO#	Description	Temperature Range	Figure Drawing
RTS710N2P	Receptacle, jam nut, 2+2 positions, size 10, pin contact, NBR seal	-40 to 105°C	1
RTS710N2P03	Receptacle, jam nut, 2+2 positions, size 10, pin contact, silicone rubber seal	-40 to 125°C	1
RTS710N2S	Receptacle, jam nut, 2+2 positions, size 10, socket contact, NBR seal	-40 to 105°C	2
RTS710N2S03	Receptacle, jam nut, 2+2 positions, size 10, socket contact, silicone rubber seal	-40 to 125°C	2

Connector Part Numbers -Plugs

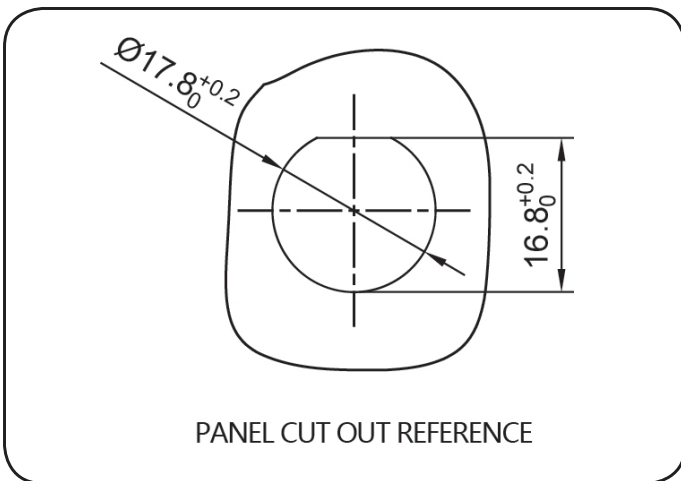
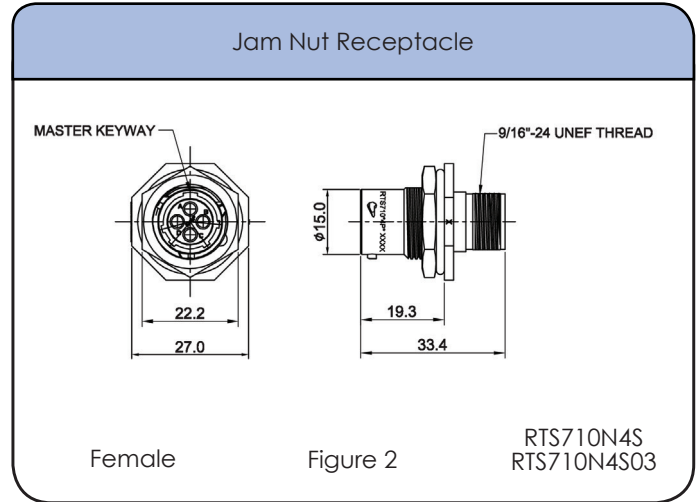
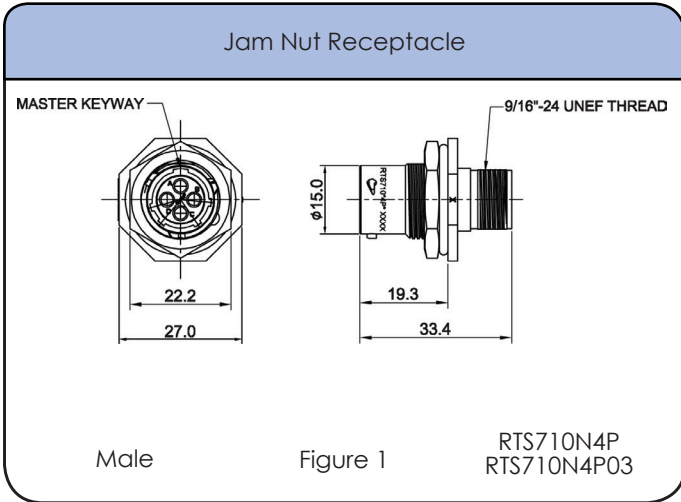
PART NO#	Description	Temperature Range	Figure Drawing
RTS6BS10N2P	Straight plug with cord grip, 2+2 positions, size 10, pin contact, NBR seal	-40 to 105°C	5
RTS6BS10N2P03	Straight plug with cord grip, 2+2 positions, size 10, pin contact, silicone rubber seal	-40 to 125°C	5
RTS6BS10N2PHEC03	Straight plug with endcap, 2+2 positions, size 10, pin contact, silicone rubber seal	-40 to 125°C	7
RTS6BS10N2S	Straight plug with cord grip, 2+2 positions, size 10, socket contact, NBR seal	-40 to 105°C	6
RTS6BS10N2S03	Straight plug with cord grip, 2+2 positions, size 10, socket contact, silicone rubber seal	-40 to 125°C	6
RTS6BS10N2SHEC03	Straight plug with endcap, 2+2 positions, size 10, socket contact, silicone rubber seal	-40 to 125°C	8

Contacts supplied separately see page 31

Shell Size: 10 Number of Contacts: 4 (2+2)
 Sealing: IP68 / IP69k Salt Spray: 500h

Contact Size: 2-20AWG/2-16AWG

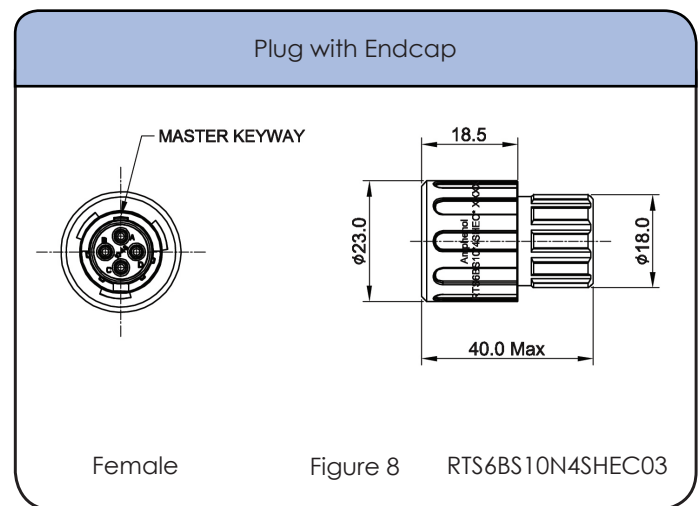
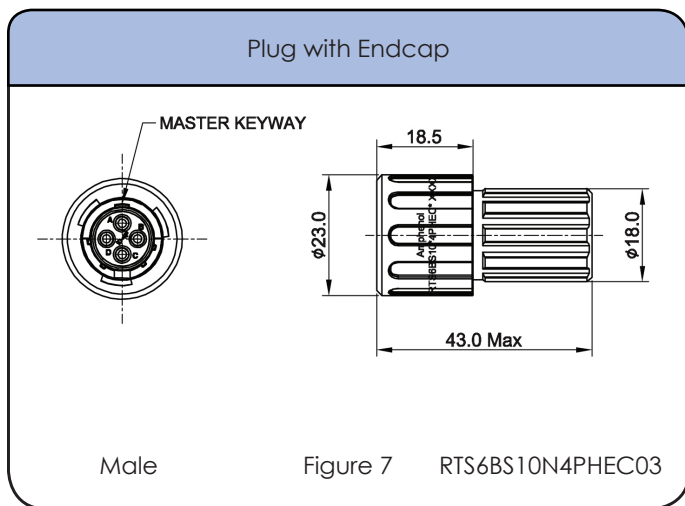
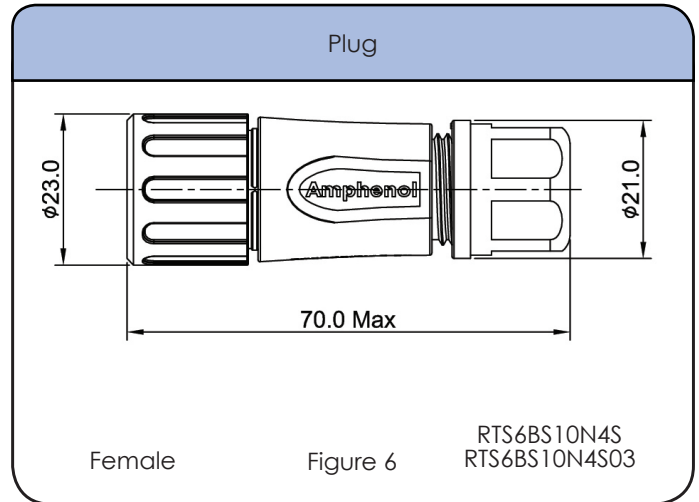
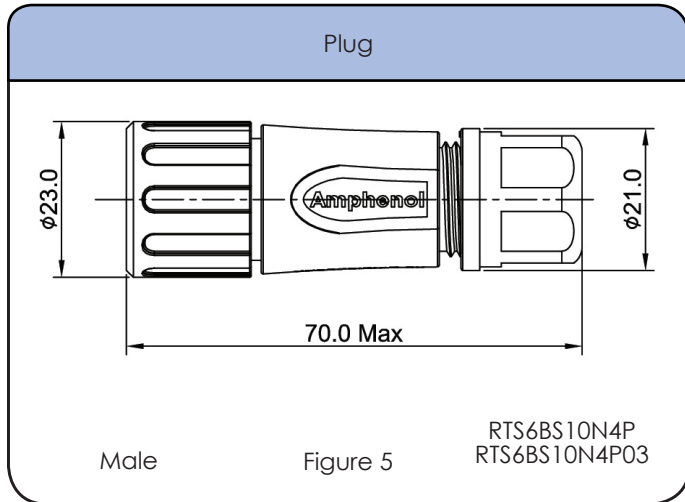
Dimensions Jam Nut Receptacles



Shell Size: 10 Number of Contacts: 4 (2+2)
 Sealing: IP68 / IP69k Salt Spray: 500h

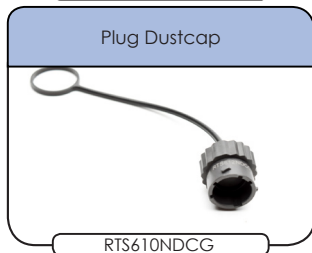
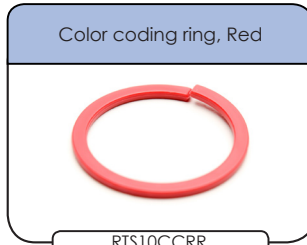
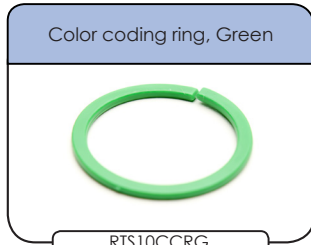
Contact Size: 2-20AWG/2-16AWG

Dimensions Plugs



Shell Size: 10 Number of Contacts: 4 (2+2) Contact Size: 2-20AWG/2-16AWG
Sealing: IP68 / IP69k Salt Spray: 500h

Accessories



Shell Size: 10 Number of Contacts: 4 (2+2) Contact Size: 2-20AWG/2-16AWG
Sealing: IP68 / IP69k Salt Spray: 500h

Contacts Machined



Crimp Contacts, Machined

Part Number		Contact Size	AWG	Wire Range (mm ²)	Plating
Male	Female				
MP14M23F	MS14M23F	16	14	2.0-2.5	Gold Flash
MP14M23G5	MS14M23G5	16	14	2.0-2.5	Gold 5μ"
MP14M23G10	MS14M23G10	16	14	2.0-2.5	Gold 10μ"
MP14M23G15	MS14M23G15	16	14	2.0-2.5	Gold 15μ"
MP14M23G30	MS14M23G30	16	14	2.0-2.5	Gold 30μ"
MP16M23F	MS16M23F	16	18-16	.75-1.5	Gold Flash
MP16M23G5	MS16M23G5	16	18-16	.75-1.5	Gold 5μ"
MP16M23G10	MS16M23G10	16	18-16	.75-1.5	Gold 10μ"
MP16M23G15	MS16M23G15	16	18-16	.75-1.5	Gold 15μ"
MP16M23G30	MS16M23G30	16	18-16	.75-1.5	Gold 30μ"
MP20M23F	MS20M23F	16	22-20	.34-.50	Gold Flash
MP20M23G5	MS20M23G5	16	22-20	.34-.50	Gold 5μ"
MP20M23G10	MS20M23G10	16	22-20	.34-.50	Gold 10μ"
MP20M23G15	MS20M23G15	16	22-20	.34-.50	Gold 15μ"
MP20M23G30	MS20M23G30	16	22-20	.34-.50	Gold 30μ"
MP24M23F	MS24M23F	16	26-24	.14-.25	Gold Flash
MP24M23G5	MS24M23G5	16	26-24	.14-.25	Gold 5μ"
MP24M23G10	MS24M23G10	16	26-24	.14-.25	Gold 10μ"
MP24M23G15	MS24M23G15	16	26-24	.14-.25	Gold 15μ"
MP24M23G30	MS24M23G30	16	26-24	.14-.25	Gold 30μ"

Shell Size: 10 Number of Contacts: 4 (2+2) Contact Size: 2-20AWG/2-16AWG
 Sealing: IP68 / IP69k Salt Spray: 500h

Contacts Machined (con't)



Part Number		Contact Size	AWG	Wire Range (mm ²)	Plating
Male	Female				
MP20W23F	MS20W23F	20	22-20	.34-.50	Gold Flash
MP20W23G5	MS20W23G5	20	22-20	.34-.50	Gold 5μ"
MP20W23G10	MS20W23G10	20	22-20	.34-.50	Gold 10μ"
MP20W23G15	MS20W23G15	20	22-20	.34-.50	Gold 15μ"
MP20W23G30	MS20W23G30	20	22-20	.34-.50	Gold 30μ"
MP28W23F	MS28W23F	20	30-28	.05-.08	Gold Flash
MP28W23G5	MS28W23G5	20	30-28	.05-.08	Gold 5μ"
MP28W23G10	MS28W23G10	20	30-28	.05-.08	Gold 10μ"
MP28W23G15	MS28W23G15	20	30-28	.05-.08	Gold 15μ"
MP28W23G30	MS28W23G30	20	30-28	.05-.08	Gold 30μ"

Tools



Shell Size: 10 Number of Contacts: 4 (2+2) Contact Size: 2-20AWG/2-16AWG
Sealing: IP68 / IP69k Salt Spray: 500h

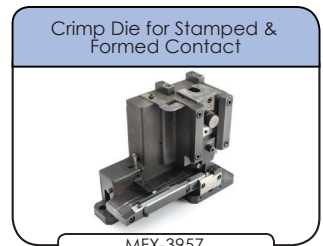
Contacts Stamped & Formed



Crimp Contacts, Stamped & Formed

Part Number		Contact Size	AWG	Wire Range (mm ²)	Plating
Male	Female				
SP14M1F	SS14M1F	16	14	2.0-2.5	Gold Flash
SP14M1G5	SS14M1G5	16	14	2.0-2.5	Gold 5μ"
SP14M1G10	SS14M1G10	16	14	2.0-2.5	Gold 10μ"
SP14M1G15	SS14M1G15	16	14	2.0-2.5	Gold 15μ"
SP14M1G30	SS14M1G30	16	14	2.0-2.5	Gold 30μ"
SP16M1F	SS16M1F	16	18-16	.75-1.5	Gold Flash
SP16M1G5	SS16M1G5	16	18-16	.75-1.5	Gold 5μ"
SP16M1G10	SS16M1G10	16	18-16	.75-1.5	Gold 10μ"
SP16M1G15	SS16M1G15	16	18-16	.75-1.5	Gold 15μ"
SP16M1G30	SS16M1G30	16	18-16	.75-1.5	Gold 30μ"
SP20M1F	SS20M1F	16	22-20	.34-.50	Gold Flash
SP20M1G5	SS20M1G5	16	22-20	.34-.50	Gold 5μ"
SP20M1G10	SS20M1G10	16	22-20	.34-.50	Gold 10μ"
SP20M1G15	SS20M1G15	16	22-20	.34-.50	Gold 15μ"
SP20M1G30	SS20M1G30	16	22-20	.34-.50	Gold 30μ"
SP24M1F	SS24M1F	16	22-20	.14-.25	Gold Flash
SP24M1G5	SS24M1G5	16	26-24	.14-.25	Gold 5μ"
SP24M1G10	SS24M1G10	16	26-24	.14-.25	Gold 10μ"
SP24M1G15	SS24M1G15	16	26-24	.14-.25	Gold 15μ"
SP24M1G30	SS24M1G30	16	26-24	.14-.25	Gold 30μ"

Tools



STEP 1
Choose Receptacle Style

STEP 2
Choose Plug Style

Jam Nut Receptacles



Plug



Coming Soon in 2017!

Square Flange Receptacles



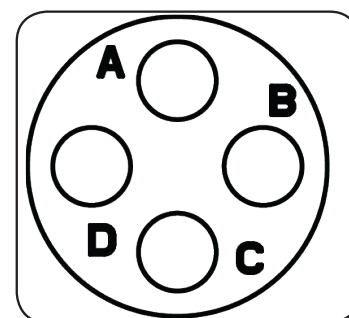
SEE TABLE ON NEXT PAGE FOR PART DETAILS

CONTACTS SOLD SEPARATELY SEE PAGE 38

Shell Size: 10 Number of Contacts: 4 Contact Size: 16
Sealing: IP68 / IP69k Salt Spray: 500h

eco | mate® Aquarius
Standard Products

- Waterproof Dynamic IP68/68K when in mated/unmated condition
- Suitable for Indoor/ Outdoor Applications
- Bayonet Rapid Coupling System
- 500 Mating Cycles
- Salt Spray ≥ 500 Hours
- UL ECBT2 & UL ETCBB Certified*



Insert Arrangement
Pin (Male) Faceview

Connector Part Numbers - Receptacles

PART NO#	Description	Temperature Range	Figure Drawing
RTS710N4P	Receptacle, jam nut, 4 positions, size 10, pin contact , NBR seal	-40C to 105C	1
RTS710N4P03	Receptacle, jam nut, 4 positions, size 10, pin contact , silicone rubber seal	-40C to 125C	1
RTS710N4S	Receptacle, jam nut, 4 positions, size 10, socket contact , NBR seal	-40C to 105C	2
RTS710N4S03	Receptacle, jam nut, 4 positions, size 10, socket contact , silicone rubber seal	-40C to 125C	2

Connector Part Numbers - Plugs

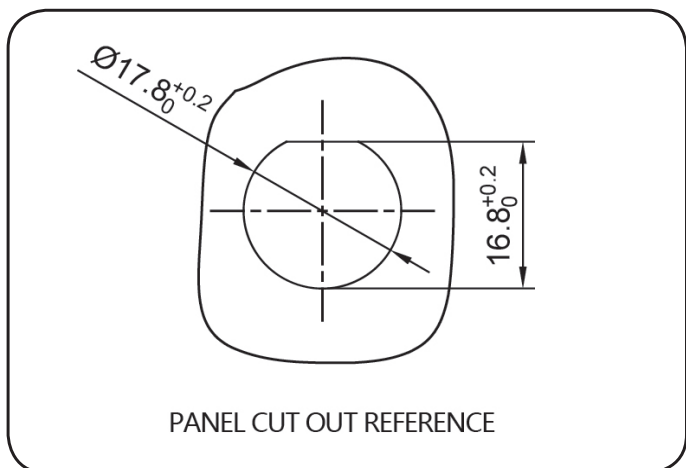
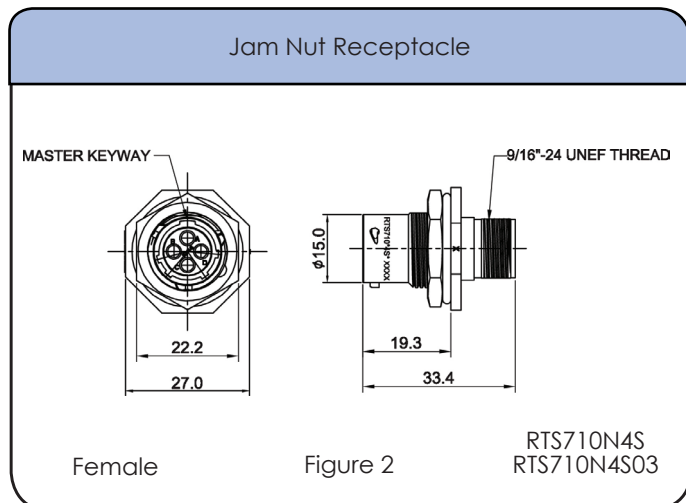
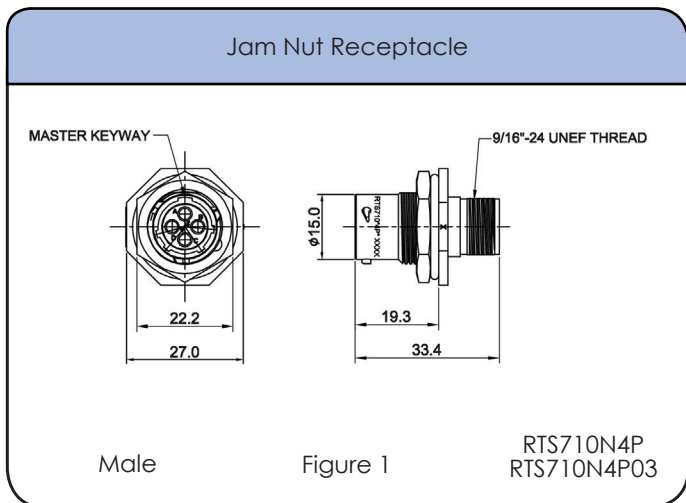
PART NO#	Description	Temperature Range	Figure Drawing
RTS6BS10N4P	Straight plug with cord grip, 4 positions, size 10, pin contact , NBR seal	-40C to 105C	5
RTS6BS10N4P03	Straight plug with cord grip, 4 positions, size 10, pin contact , silicone rubber seal	-40C to 125C	5
RTS6BS10N4PHEC03	Straight plug with endcap, 4 positions, size 10, pin contact , silicone rubber seal	-40C to 125C	7
RTS6BS10N4S	Straight plug with cord grip, 4 positions, size 10, socket contact , NBR seal	-40C to 105C	6
RTS6BS10N4S03	Straight plug with cord grip, 4 positions, size 10, socket contact , silicone rubber seal	-40C to 125C	6
RTS6BS10N4SHEC03	Straight plug with endcap, 4 positions, size 10, socket contact , silicone rubber seal	-40C to 125C	8

Contacts supplied separately see page 38

Shell Size: 10 Number of Contacts: 4
 Sealing: IP68 / IP69k Salt Spray: 500h

Contact Size: 16

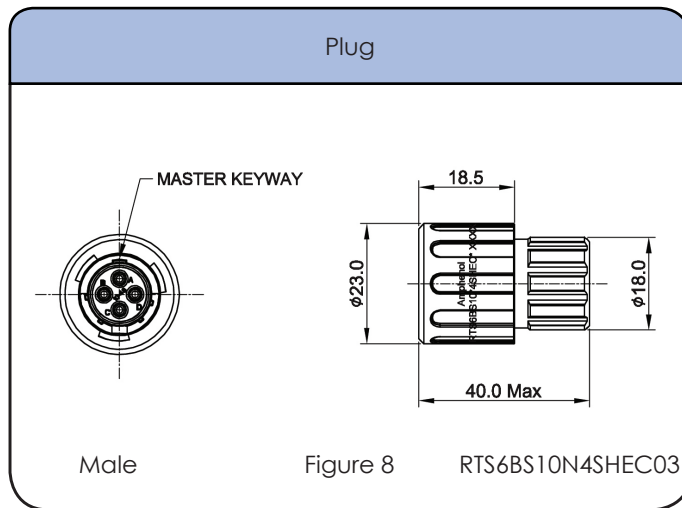
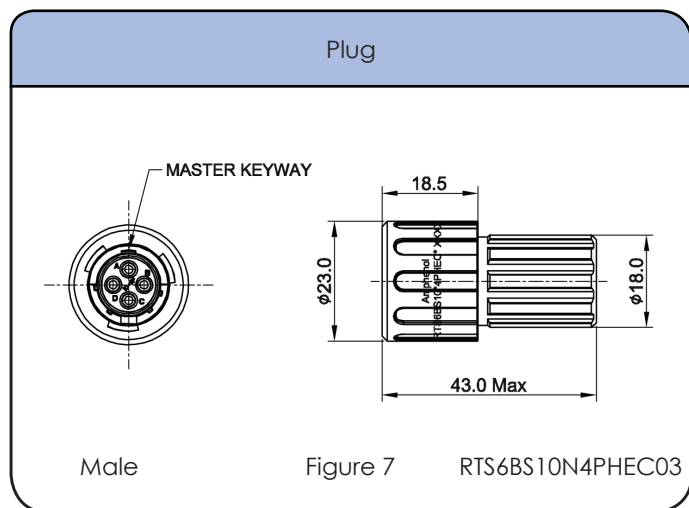
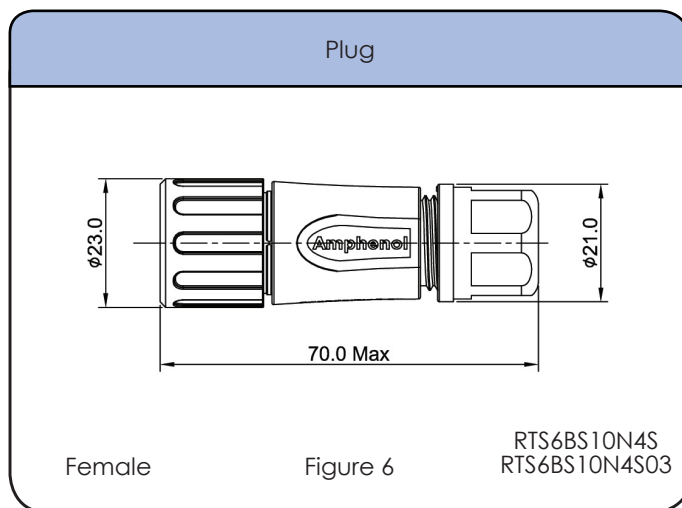
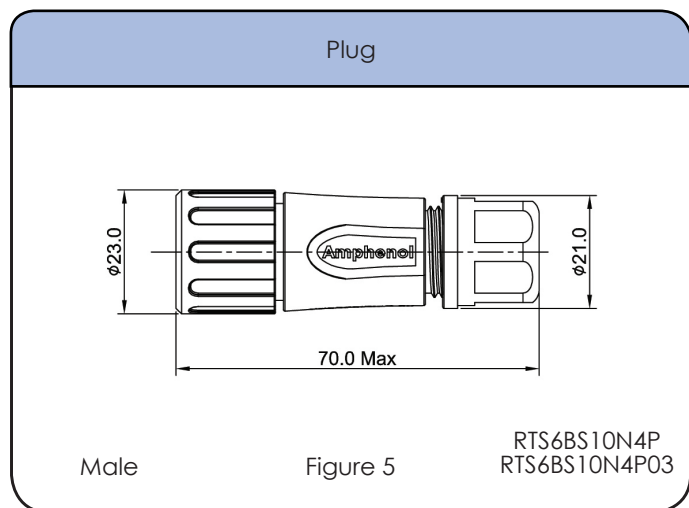
Dimensions Jam Nut Receptacle



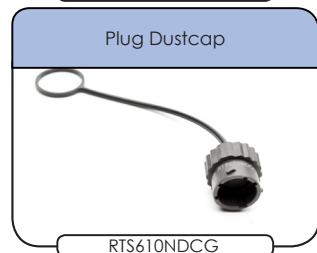
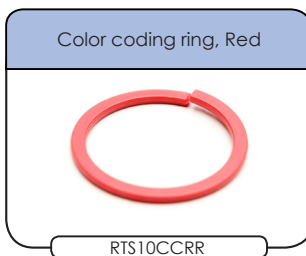
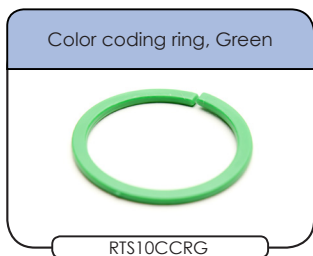
Shell Size: 10 Number of Contacts: 4
Sealing: IP68 / IP69k Salt Spray: 500h

Contact Size: 16

Dimensions Plug



Accessories



Shell Size: 10 Number of Contacts: 4 Contact Size: 16
 Sealing: IP68 / IP69k Salt Spray: 500h

Contacts Machined



Crimp Contacts, Machined

Part Number		AWG	Wire Range (mm ²)	Plating
Male	Female			
MP14M23F	MS14M23F	14	2.0-2.5	Gold Flash
MP14M23G5	MS14M23G5	14	2.0-2.5	Gold 5μ"
MP14M23G10	MS14M23G10	14	2.0-2.5	Gold 10μ"
MP14M23G15	MS14M23G15	14	2.0-2.5	Gold 15μ"
MP14M23G30	MS14M23G30	14	2.0-2.5	Gold 30μ"
MP16M23F	MS16M23F	18-16	.75-1.5	Gold Flash
MP16M23G5	MS16M23G5	18-16	.75-1.5	Gold 5μ"
MP16M23G10	MS16M23G10	18-16	.75-1.5	Gold 10μ"
MP16M23G15	MS16M23G15	18-16	.75-1.5	Gold 15μ"
MP16M23G30	MS16M23G30	18-16	.75-1.5	Gold 30μ"
MP20M23F	MS20M23F	22-20	.34-.50	Gold Flash
MP20M23G5	MS20M23G5	22-20	.34-.50	Gold 5μ"
MP20M23G10	MS20M23G10	22-20	.34-.50	Gold 10μ"
MP20M23G15	MS20M23G15	22-20	.34-.50	Gold 15μ"
MP20M23G30	MS20M23G30	22-20	.34-.50	Gold 30μ"
MP24M23F	MS24M23F	26-24	.14-.25	Gold Flash
MP24M23G5	MS24M23G5	26-24	.14-.25	Gold 5μ"
MP24M23G10	MS24M23G10	26-24	.14-.25	Gold 10μ"
MP24M23G15	MS24M23G15	26-24	.14-.25	Gold 15μ"
MP24M23G30	MS24M23G30	26-24	.14-.25	Gold 30μ"

Tools



Shell Size: 10 Number of Contacts: 4 Contact Size: 16
Sealing: IP68 / IP69k Salt Spray: 500h

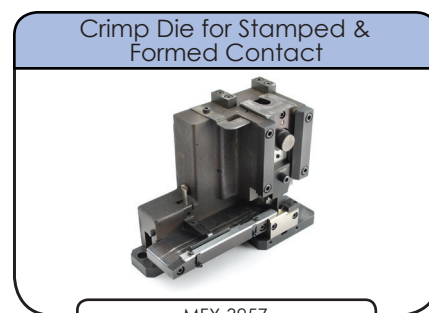
Contacts Stamped & Formed



Crimp Contacts, Stamped & Formed

Part Number		AWG	Wire Range (mm ²)	Plating
Male	Female			
SP14M1F	SS14M1F	14	2.0-2.5	Gold Flash
SP14M1G5	SS14M1G5	14	2.0-2.5	Gold 5μ"
SP14M1G10	SS14M1G10	14	2.0-2.5	Gold 10μ"
SP14M1G15	SS14M1G15	14	2.0-2.5	Gold 15μ"
SP14M1G30	SS14M1G30	14	2.0-2.5	Gold 30μ"
SP16M1F	SS16M1F	18-16	.75-1.5	Gold Flash
SP16M1G5	SS16M1G5	18-16	.75-1.5	Gold 5μ"
SP16M1G10	SS16M1G10	18-16	.75-1.5	Gold 10μ"
SP16M1G15	SS16M1G15	18-16	.75-1.5	Gold 15μ"
SP16M1G30	SS16M1G30	18-16	.75-1.5	Gold 30μ"
SP20M1F	SS20M1F	22-20	.34-.50	Gold Flash
SP20M1G5	SS20M1G5	22-20	.34-.50	Gold 5μ"
SP20M1G10	SS20M1G10	22-20	.34-.50	Gold 10μ"
SP20M1G15	SS20M1G15	22-20	.34-.50	Gold 15μ"
SP20M1G30	SS20M1G30	22-20	.34-.50	Gold 30μ"
SP24M1F	SS24M1F	22-20	.14-.25	Gold Flash
SP24M1G5	SS24M1G5	26-24	.14-.25	Gold 5μ"
SP24M1G10	SS24M1G10	26-24	.14-.25	Gold 10μ"
SP24M1G15	SS24M1G15	26-24	.14-.25	Gold 15μ"
SP24M1G30	SS24M1G30	26-24	.14-.25	Gold 30μ"

Tools



STEP 1
Choose Receptacle Style

STEP 2
Choose Plug Style

Jam Nut Receptacles



RTS710N6P



RTS710N6P03



RTS710N6S



RTS710N6S03

Plug



RTS6BS10N6P



RTS6BS10N6S



RTS6BS10N6P03



RTS6BS10N6S03



RTS6BS10N6PHEC03



RTS6BS10N6SHEC03



Coming Soon in 2017!

Square Flange Receptacles



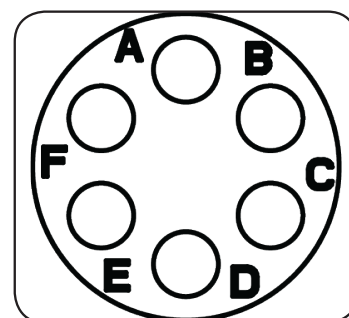
SEE TABLE ON NEXT PAGE FOR PART DETAILS

CONTACTS SOLD SEPARATELY SEE PAGE 44

Shell Size: 10 Number of Contacts: 6 Contact Size: 20AWG
Sealing: IP68 / IP69k Salt Spray: 500h

eco | mate® Aquarius
Standard Products

- Waterproof Dynamic IP68/68K when in mated/unmated condition
- Suitable for Indoor/ Outdoor Applications
- Bayonet Rapid Coupling System
- 500 Mating Cycles
- Salt Spray ≥ 500 Hours
- UL ECBT2 & UL ETCBB Certified*



Insert Arrangement
Pin (Male) Faceview

Connector Part Numbers - Receptacles

PART NO#	Description	Temperature Range	Figure Drawings
RTS710N6P	Receptacle, jam nut, 6 positions, size 10, pin contact , NBR seal	-40 to 105°C	1
RTS710N6P03	Receptacle, jam nut, 6 positions, size 10, pin contact , silicone rubber seal	-40 to 125°C	1
RTS710N6S	Receptacle, jam nut, 6 positions, size 10, socket contact , NBR seal	-40 to 105°C	2
RTS710N6S03	Receptacle, jam nut, 6 positions, size 10, socket contact , silicone rubber seal	-40 to 125°C	2

Connector Part Numbers - Plugs

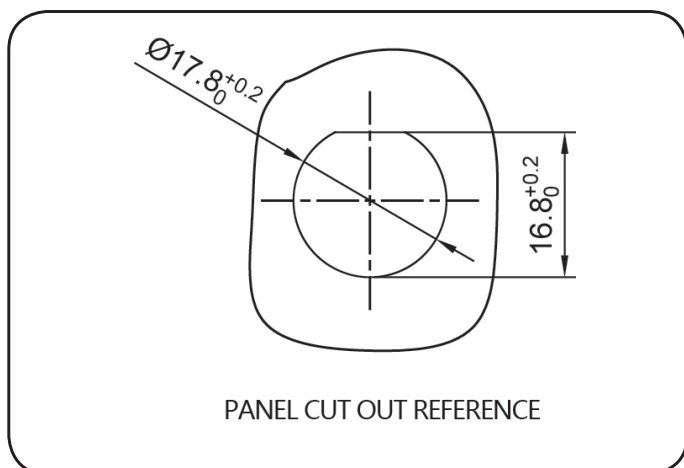
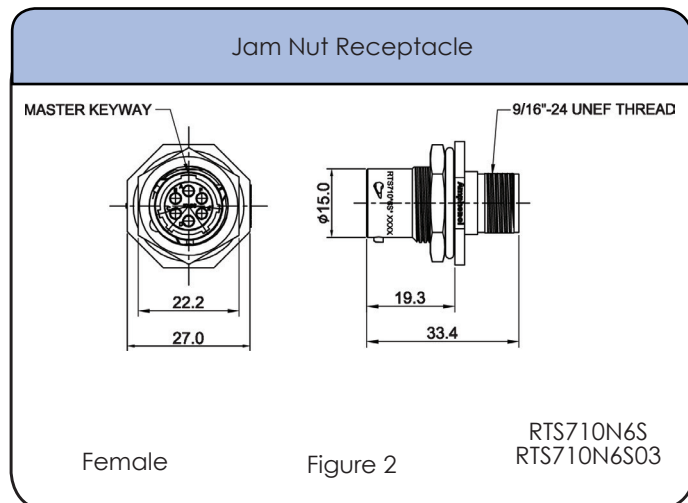
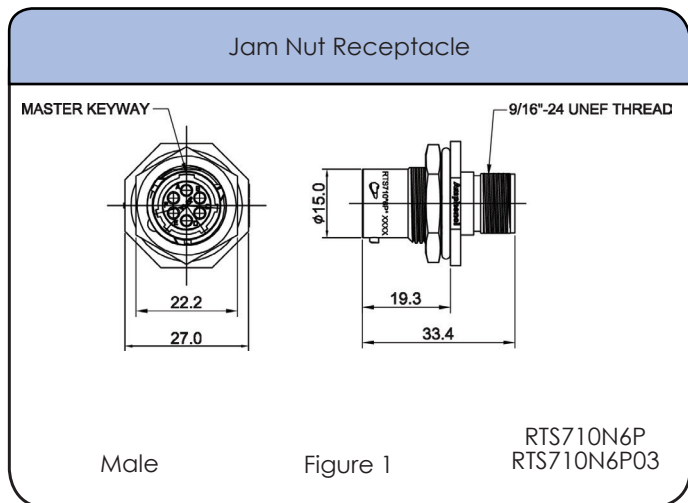
PART NO#	Description	Temperature Range	Figure Drawings
RTS6BS10N6P	Straight plug with cord grip, 6 positions, size 10, pin contact , NBR seal	-40 to 105°C	5
RTS6BS10N6P03	Straight plug with cord grip, 6 positions, size 10, pin contact , silicone rubber seal	-40 to 125°C	5
RTS6BS10N6PHEC03	Straight plug with endcap, 6 positions, size 10, pin contact , silicone rubber seal	-40 to 125°C	7
RTS6BS10N6S	Straight plug with cord grip, 6 positions, size 10, socket contact , NBR seal	-40 to 105°C	6
RTS6BS10N6S03	Straight plug with cord grip, 6 positions, size 10, socket contact , silicone rubber seal	-40 to 125°C	6
RTS6BS10N6SHEC03	Straight plug with endcap, 6 positions, size 10, socket contact , silicone rubber seal	-40 to 125°C	8

Contacts supplied separately see page 44

Shell Size: 10 Number of Contacts: 6
 Sealing: IP68 / IP69k Salt Spray: 500h

Contact Size: 20AWG

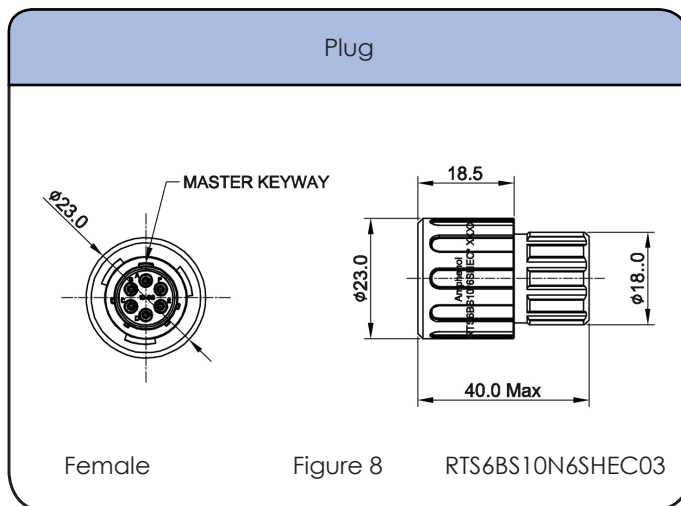
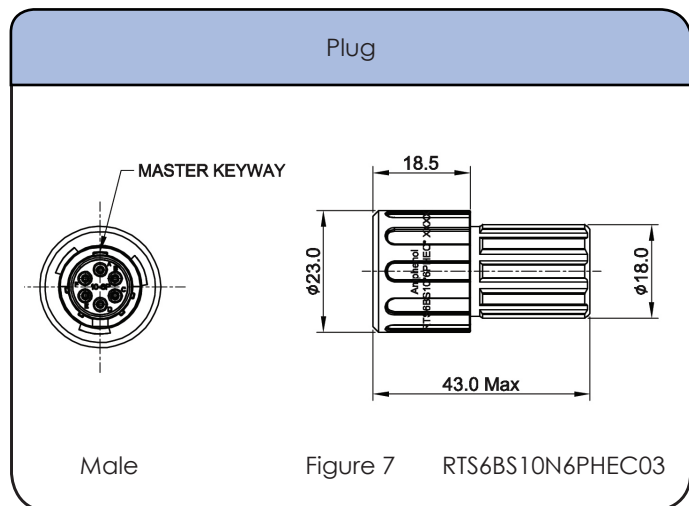
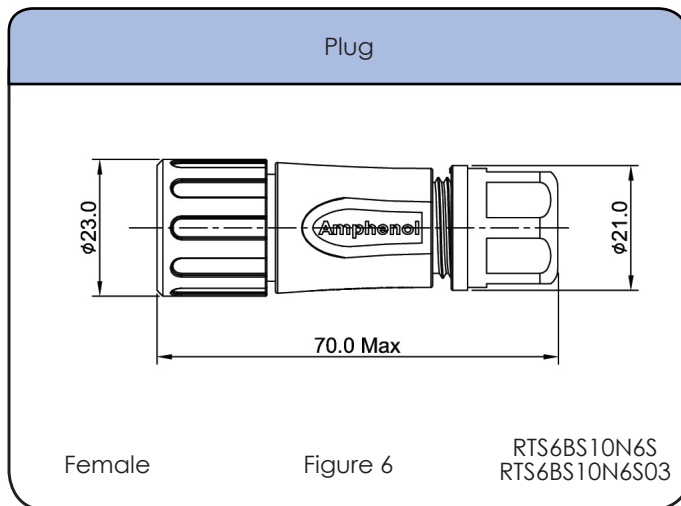
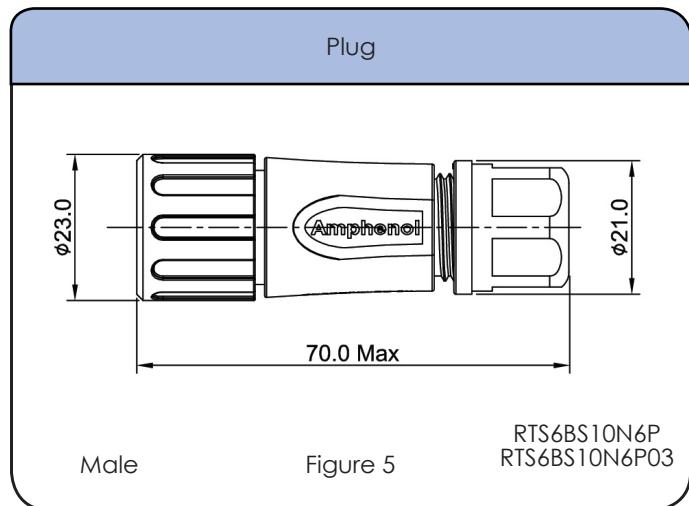
Dimensions Jam Nut Receptacles



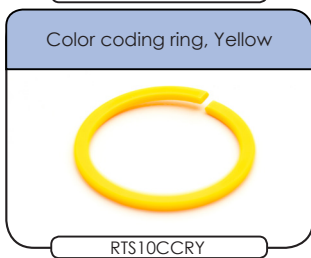
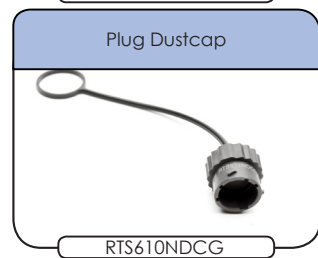
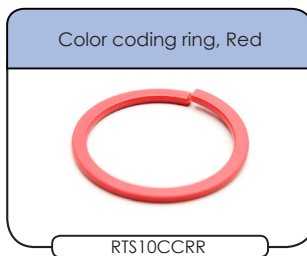
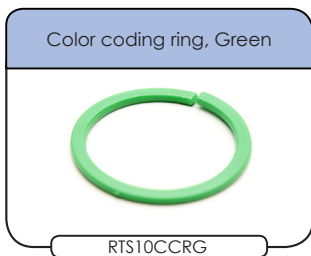
Shell Size: 10 Number of Contacts: 6
Sealing: IP68 / IP69k Salt Spray: 500h

Contact Size: 20AWG

Dimensions Plugs



Accessories



Shell Size: 10 Number of Contacts: 6 Contact Size: 20AWG
 Sealing: IP68 / IP69k Salt Spray: 500h

Contacts Machined



Crimp Contacts, Machined

Part Number		AWG	Wire Rangeset (mm ²)	Plating
Male	Female			
MP20W23F	MS20W23F	22-20	.34-.50	Gold Flash
MP20W23G5	MS20W23G5	22-20	.34-.50	Gold 5μ"
MP20W23G10	MS20W23G10	22-20	.34-.50	Gold 10μ"
MP20W23G15	MS20W23G15	22-20	.34-.50	Gold 15μ"
MP20W23G30	MS20W23G30	22-20	.34-.50	Gold 30μ"
MP28W23F	MS28W23F	30-28	.05-.08	Gold Flash
MP28W23G5	MS28W23G5	30-28	.05-.08	Gold 5μ"
MP28W23G10	MS28W23G10	30-28	.05-.08	Gold 10μ"
MP28W23G15	MS28W23G15	30-28	.05-.08	Gold 15μ"
MP28W23G30	MS28W23G30	30-28	.05-.08	Gold 30μ"

Tools



Shell Size: 10 Number of Contacts: 6 Contact Size: 20AWG
Sealing: IP68 / IP69k Salt Spray: 500h

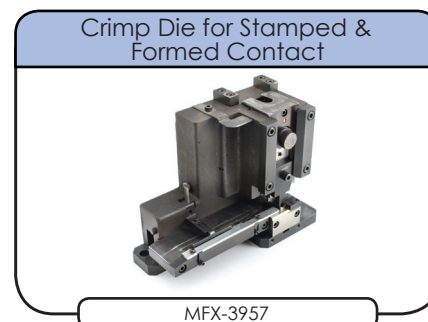
Contacts Stamped & Formed



Crimp Contacts, Stamped & Formed

Part Number		AWG	Wire Range (mm ²)	Plating
Male	Female			
SP20W1F	SS20W1F	22-20	.34-.50	Gold Flash
SP20W1G5	SS20W1G5	22-20	.34-.50	Gold 5μ"
SP20W1G10	SS20W1G10	22-20	.34-.50	Gold 10μ"
SP20W1G15	SS20W1G15	22-20	.34-.50	Gold 15μ"
SP20W1G30	SS20W1G30	22-20	.34-.50	Gold 30μ"
SP24W1F	SS24W1F	26-24	.14-.25	Gold Flash
SP24W1G5	SS24W1G5	26-24	.14-.25	Gold 5μ"
SP24W1G10	SS24W1G10	26-24	.14-.25	Gold 10μ"
SP24W1G15	SS24W1G15	26-24	.14-.25	Gold 15μ"
SP24W1G30	SS24W1G30	26-24	.14-.25	Gold 30μ"
SP28W1F	SS28W1F	30-28	.05-.08	Gold Flash
SP28W1G5	SS28W1G5	30-28	.05-.08	Gold 5μ"
SP28W1G10	SS28W1G10	30-28	.05-.08	Gold 10μ"
SP28W1G15	SS28W1G15	30-28	.05-.08	Gold 15μ"
SP28W1G30	SS28W1G30	30-28	.05-.08	Gold 30μ"

Tools



STEP 1
Choose Receptacle Style

STEP 2
Choose Plug Style

Jam Nut Receptacles



Plugs



Coming Soon in 2017!

Square Flange Receptacles



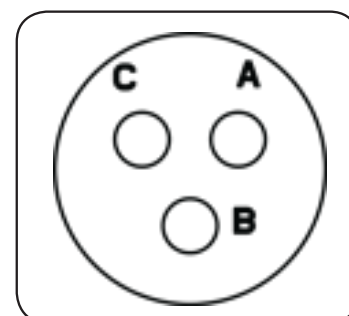
SEE TABLE ON NEXT PAGE FOR PART DETAILS

CONTACTS SOLD SEPARATELY SEE PAGE 50

Shell Size: 12 Number of Contacts: 3 Contact Size: 16
Sealing: IP68 / IP69k Salt Spray: 500h

eco | mate® Aquarius
Standard Products

- Waterproof Dynamic IP68/68K when in mated/unmated condition
- Suitable for Indoor/ Outdoor Applications
- Bayonet Rapid Coupling System
- 500 Mating Cycles
- Salt Spray ≥ 500 Hours
- UL ECBT2 & UL ETCBB Certified*



Insert Arrangement
Pin (Male) Faceview

Connector Part Numbers -Receptacles

PART NO#	Description	Temperature Range	Figure Drawing
RTS712N3P	Receptacle, jam nut, 3 positions, size 12, pin contact, NBR seal	-40 to 105°C	1
RTS712N3P03	Receptacle, jam nut, 3 positions, size 12, pin contact , silicone rubber seal	-40 to 125°C	1
RTS712N3S	Receptacle, jam nut, 3 positions, size 12, socket contact, NBR seal	-40 to 105°C	2
RTS712N3S03	Receptacle, jam nut, 3 positions, size 12, socket contact , silicone rubber seal	-40 to 125°C	2

Connector Part Numbers -Plugs

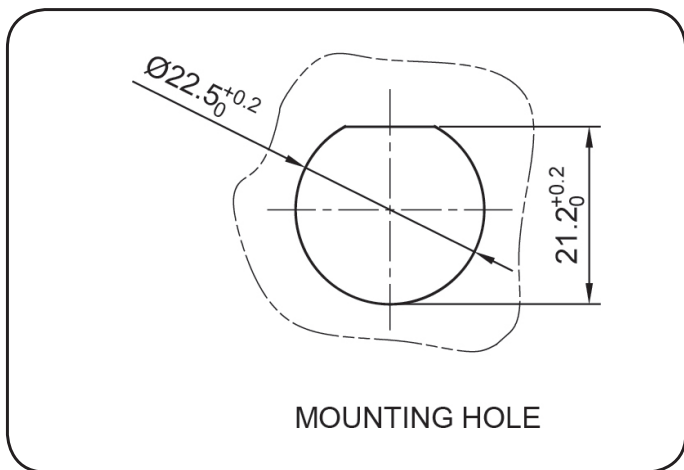
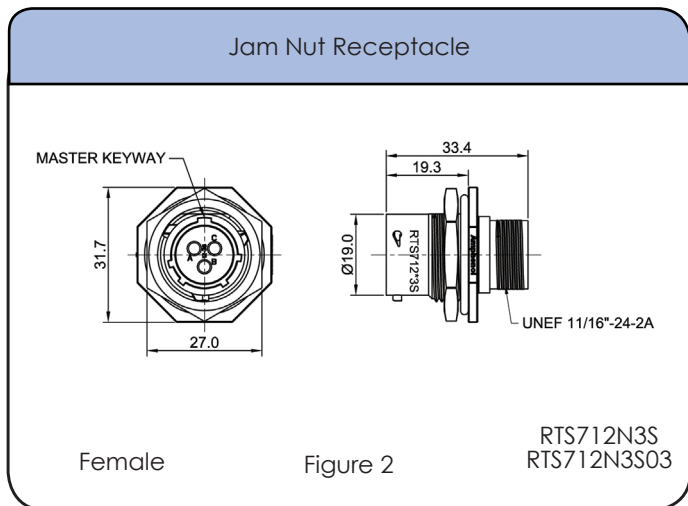
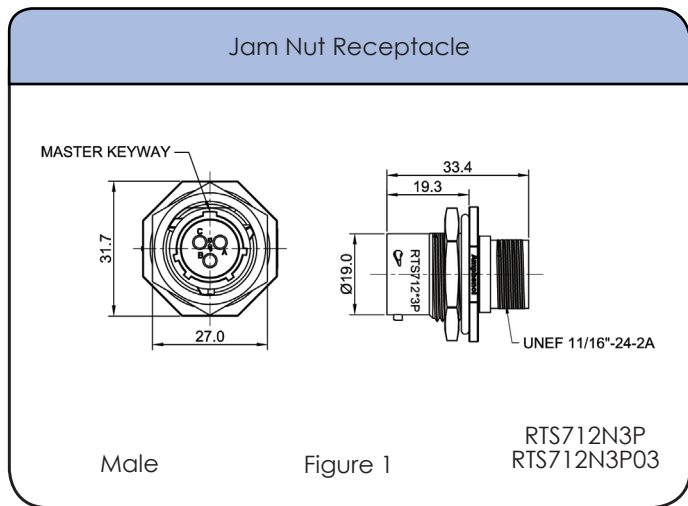
PART NO#	Description	Temperature Range	Figure Drawing
RTS6BS12N3P	Straight plug with cord grip, 3 positions, size 12, pin contact, NBR seal	-40 to 105°C	5
RTS6BS12N3P03	Straight plug with cord grip, 3 positions, size 12, pin contact , silicone rubber seal	-40 to 125°C	5
RTS6BS12N3PHEC03	Straight plug with end cap, 3 positions, size 12, pin contact , silicone rubber seal	-40 to 125°C	7
RTS6BS12N3S	Straight plug with cord grip, 3 positions, size 12, socket contact, NBR seal	-40 to 105°C	6
RTS6BS12N3S03	Straight plug with cord grip, 3 positions, size 12, socket contact , silicone rubber seal	-40 to 125°C	6
RTS6BS12N3SHEC03	Straight plug with end cap, 3 positions, size 12, socket contact , silicone rubber seal	-40 to 125°C	8

Contacts supplied separately see page 50

Shell Size: 12 Number of Contacts: 3
 Sealing: IP68 / IP69k Salt Spray: 500h

Contact Size: 16

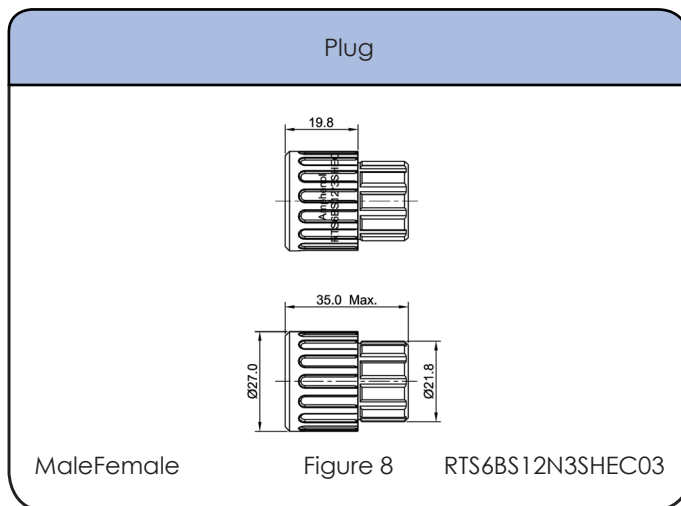
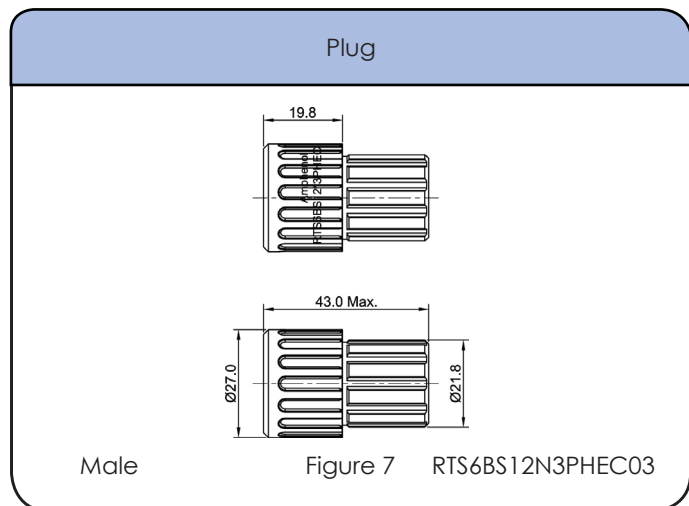
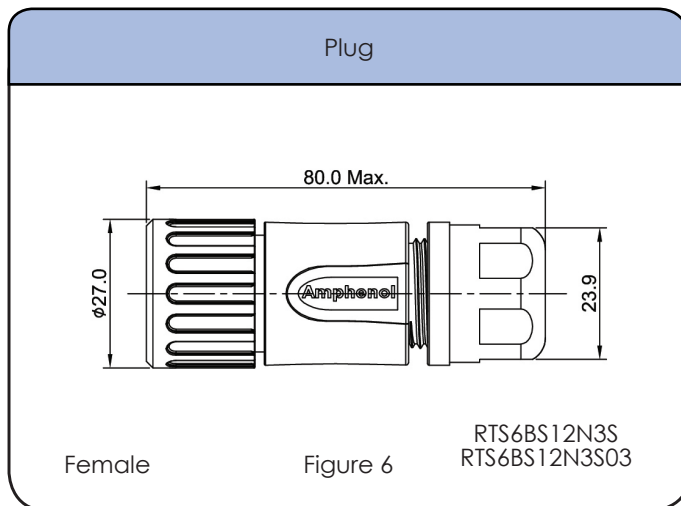
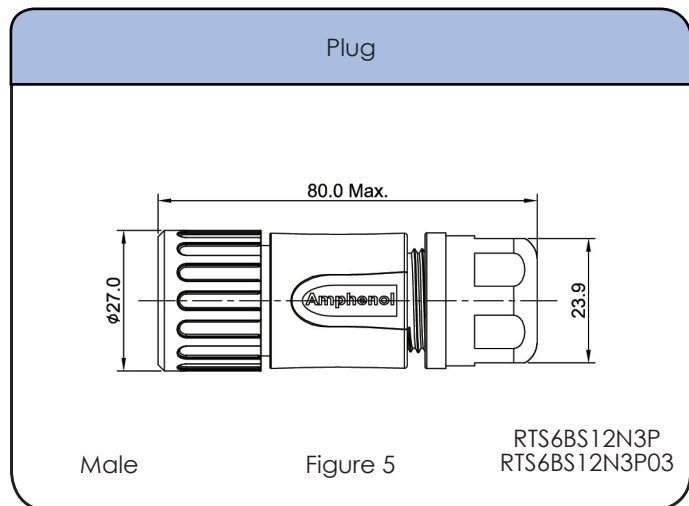
Dimensions Jam Nut Receptacle



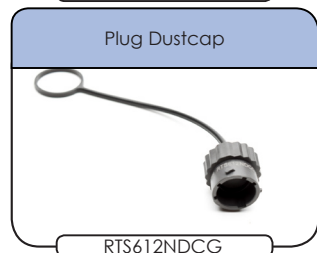
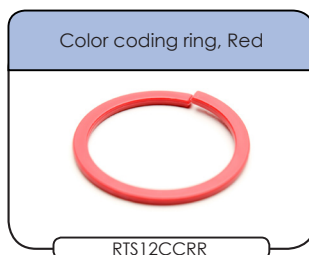
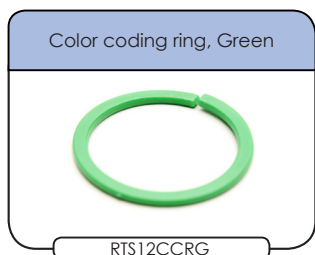
Shell Size: 12 Number of Contacts: 3
Sealing: IP68 / IP69k Salt Spray: 500h

Contact Size: 16

Dimensions Plug



Accessories



Shell Size: 12 Number of Contacts: 3 Contact Size: 16
 Sealing: IP68 / IP69k Salt Spray: 500h

Contacts Machined



Crimp Contacts, Machined

Part Number		AWG	Wire Range (mm ²)	Plating
Male	Female			
MP14M23F	MS14M23F	14	2.0-2.5	Gold Flash
MP14M23G5	MS14M23G5	14	2.0-2.5	Gold 5μ"
MP14M23G10	MS14M23G10	14	2.0-2.5	Gold 10μ"
MP14M23G15	MS14M23G15	14	2.0-2.5	Gold 15μ"
MP14M23G30	MS14M23G30	14	2.0-2.5	Gold 30μ"
MP16M23F	MS16M23F	18-16	.75-1.5	Gold Flash
MP16M23G5	MS16M23G5	18-16	.75-1.5	Gold 5μ"
MP16M23G10	MS16M23G10	18-16	.75-1.5	Gold 10μ"
MP16M23G15	MS16M23G15	18-16	.75-1.5	Gold 15μ"
MP16M23G30	MS16M23G30	18-16	.75-1.5	Gold 30μ"
MP20M23F	MS20M23F	22-20	.34-.50	Gold Flash
MP20M23G5	MS20M23G5	22-20	.34-.50	Gold 5μ"
MP20M23G10	MS20M23G10	22-20	.34-.50	Gold 10μ"
MP20M23G15	MS20M23G15	22-20	.34-.50	Gold 15μ"
MP20M23G30	MS20M23G30	22-20	.34-.50	Gold 30μ"
MP24M23F	MS24M23F	26-24	.14-.25	Gold Flash
MP24M23G5	MS24M23G5	26-24	.14-.25	Gold 5μ"
MP24M23G10	MS24M23G10	26-24	.14-.25	Gold 10μ"
MP24M23G15	MS24M23G15	26-24	.14-.25	Gold 15μ"
MP24M23G30	MS24M23G30	26-24	.14-.25	Gold 30μ"

Tools



Shell Size: 12 Number of Contacts: 3 Contact Size: 16
Sealing: IP68 / IP69k Salt Spray: 500h

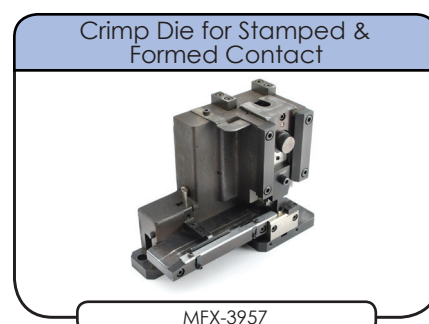
Contacts Stamped & Formed



Crimp Contacts, Stamped & Formed

Part Number		AWG	Wire Range (mm ²)	Plating
Male	Female			
SP14M1F	SS14M1F	14	2.0-2.5	Gold Flash
SP14M1G5	SS14M1G5	14	2.0-2.5	Gold 5μ"
SP14M1G10	SS14M1G10	14	2.0-2.5	Gold 10μ"
SP14M1G15	SS14M1G15	14	2.0-2.5	Gold 15μ"
SP14M1G30	SS14M1G30	14	2.0-2.5	Gold 30μ"
SP16M1F	SS16M1F	18-16	.75-1.5	Gold Flash
SP16M1G5	SS16M1G5	18-16	.75-1.5	Gold 5μ"
SP16M1G10	SS16M1G10	18-16	.75-1.5	Gold 10μ"
SP16M1G15	SS16M1G15	18-16	.75-1.5	Gold 15μ"
SP16M1G30	SS16M1G30	18-16	.75-1.5	Gold 30μ"
SP20M1F	SS20M1F	22-20	.34-.50	Gold Flash
SP20M1G5	SS20M1G5	22-20	.34-.50	Gold 5μ"
SP20M1G10	SS20M1G10	22-20	.34-.50	Gold 10μ"
SP20M1G15	SS20M1G15	22-20	.34-.50	Gold 15μ"
SP20M1G30	SS20M1G30	22-20	.34-.50	Gold 30μ"
SP24M1F	SS24M1F	22-20	.14-.25	Gold Flash
SP24M1G5	SS24M1G5	26-24	.14-.25	Gold 5μ"
SP24M1G10	SS24M1G10	26-24	.14-.25	Gold 10μ"
SP24M1G15	SS24M1G15	26-24	.14-.25	Gold 15μ"
SP24M1G30	SS24M1G30	26-24	.14-.25	Gold 30μ"

Tools



STEP 1
Choose Receptacle Style

STEP 2
Choose Plug Style

Jam Nut Receptacles



RTS712N4P



RTS712N4P03



RTS712N4S



RTS712N4S03

Plug



RTS6BS12N4P



RTS6BS12N4S



RTS6BS12N4P03



RTS6BS12N4S03



SEE TABLE ON NEXT PAGE FOR PART DETAILS

CONTACTS SOLD SEPARATELY SEE PAGE 56

Coming Soon in 2017!

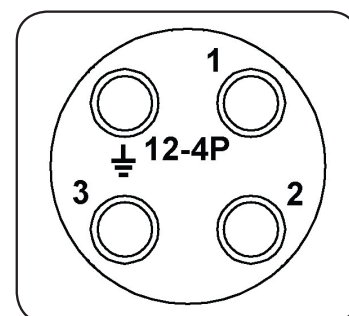
Square Flange Receptacles



Shell Size: 12 Number of Contacts: 4 Contact Size: 16
Sealing: IP68 / IP69k Salt Spray: 500h

eco | mate® Aquarius
Standard Products

- Waterproof Dynamic IP68/68K when in mated/unmated condition
- Suitable for Indoor/ Outdoor Applications
- Bayonet Rapid Coupling System
- 500 Mating Cycles
- Salt Spray ≥ 500 Hours
- UL ECBT2 & UL ETCBB Certified*



Insert Arrangement
Pin (Male) Faceview

Connector Part Numbers - Receptacles

PART NO#	Description	Temperature Range	Figure Drawing
RTS712N4P	Receptacle, jam nut, 4 positions, size 12, pin contact, NBR seal	-40 to 105°C	1
RTS712N4P03	Receptacle, jam nut, 4 positions, size 12, pin contact, silicone rubber seal	-40 to 125°C	1
RTS712N4S	Receptacle, jam nut, 4 positions, size 12, socket contact, NBR seal	-40 to 105°C	2
RTS712N4S03	Receptacle, jam nut, 4 positions, size 12, socket contact, silicone rubber seal	-40 to 125°C	2

Connector Part Numbers - Plugs

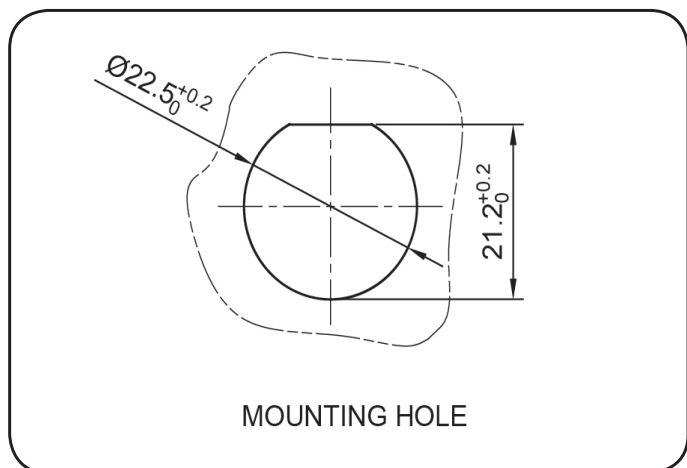
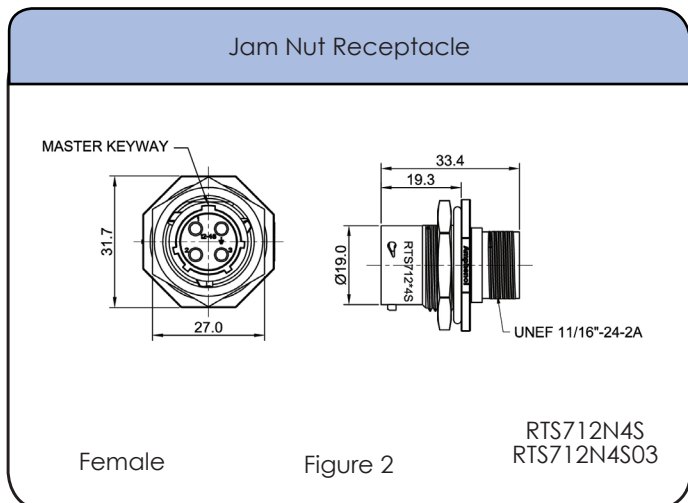
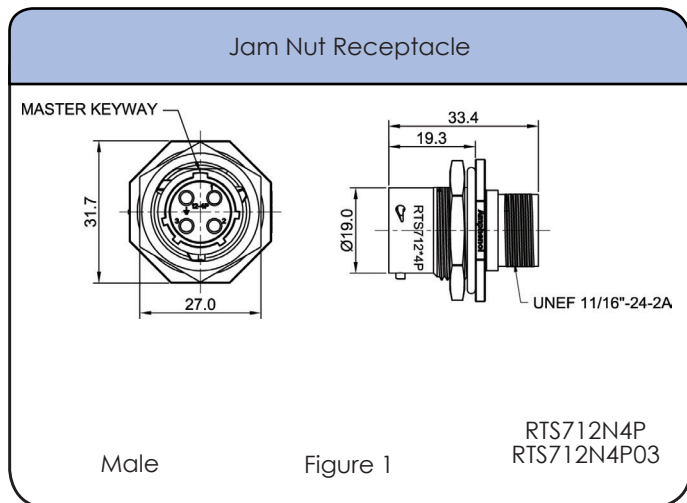
PART NO#	Description	Temperature Range	Figure Drawing
RTS6BS12N4P	Straight plug with cord grip, 4 positions, size 12, pin contact, NBR seal	-40 to 105°C	5
RTS6BS12N4P03	Straight plug with cord grip, 4 positions, size 12, pin contact, silicone rubber seal	-40 to 125°C	5
RTS6BS12N4S	Straight plug with cord grip, 4 positions, size 12, socket contact, NBR seal	-40 to 105°C	6
RTS6BS12N4S03	Straight plug with cord grip, 4 positions, size 12, socket contact, silicone rubber seal	-40 to 125°C	6

Contacts supplied separately see page 56

Shell Size: 12 Number of Contacts: 4
 Sealing: IP68 / IP69k Salt Spray: 500h

Contact Size: 16

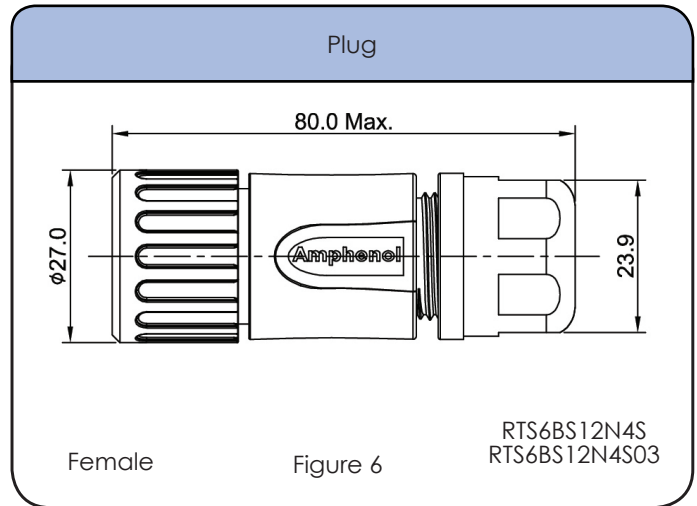
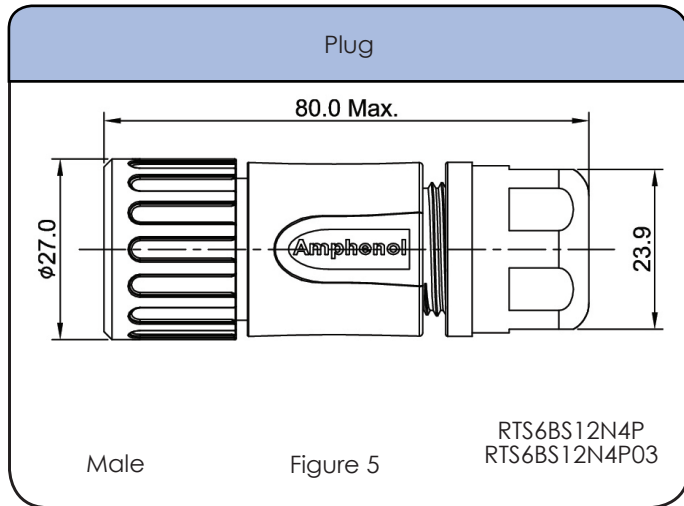
Dimensions Jam Nut Receptacles



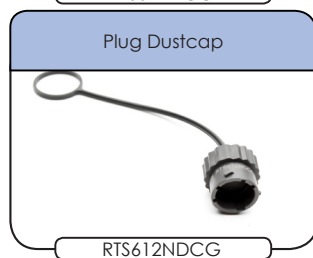
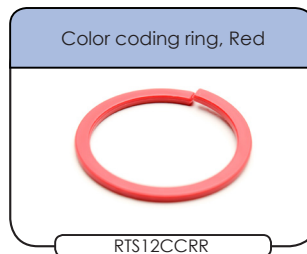
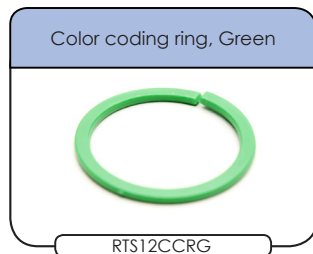
Shell Size: 12 Number of Contacts: 4
Sealing: IP68 / IP69k Salt Spray: 500h

Contact Size: 16

Dimensions Plugs



Accessories



Shell Size: 12 Number of Contacts: 4 Contact Size: 16
 Sealing: IP68 / IP69k Salt Spray: 500h

Contacts Machined



Crimp Contacts, Machined

Part Number		AWG	Wire Range (mm ²)	Plating
Male	Female			
MP14M23F	MS14M23F	14	2.0-2.5	Gold Flash
MP14M23G5	MS14M23G5	14	2.0-2.5	Gold 5μ"
MP14M23G10	MS14M23G10	14	2.0-2.5	Gold 10μ"
MP14M23G15	MS14M23G15	14	2.0-2.5	Gold 15μ"
MP14M23G30	MS14M23G30	14	2.0-2.5	Gold 30μ"
MP16M23F	MS16M23F	18-16	.75-1.5	Gold Flash
MP16M23G5	MS16M23G5	18-16	.75-1.5	Gold 5μ"
MP16M23G10	MS16M23G10	18-16	.75-1.5	Gold 10μ"
MP16M23G15	MS16M23G15	18-16	.75-1.5	Gold 15μ"
MP16M23G30	MS16M23G30	18-16	.75-1.5	Gold 30μ"
MP20M23F	MS20M23F	22-20	.34-.50	Gold Flash
MP20M23G5	MS20M23G5	22-20	.34-.50	Gold 5μ"
MP20M23G10	MS20M23G10	22-20	.34-.50	Gold 10μ"
MP20M23G15	MS20M23G15	22-20	.34-.50	Gold 15μ"
MP20M23G30	MS20M23G30	22-20	.34-.50	Gold 30μ"
MP24M23F	MS24M23F	26-24	.14-.25	Gold Flash
MP24M23G5	MS24M23G5	26-24	.14-.25	Gold 5μ"
MP24M23G10	MS24M23G10	26-24	.14-.25	Gold 10μ"
MP24M23G15	MS24M23G15	26-24	.14-.25	Gold 15μ"
MP24M23G30	MS24M23G30	26-24	.14-.25	Gold 30μ"

Tools



Shell Size: 12 Number of Contacts: 4 Contact Size: 16
Sealing: IP68 / IP69k Salt Spray: 500h

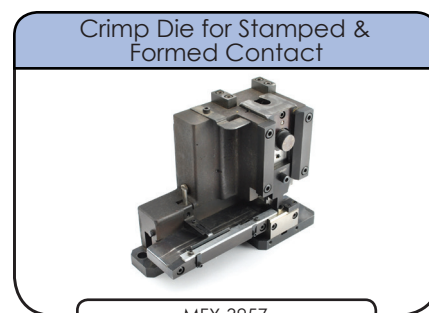
Contacts Stamped & Formed



Crimp Contacts, Stamped & Formed

Part Number		AWG	Wire Range (mm ²)	Plating
Male	Female			
SP14M1F	SS14M1F	14	2.0-2.5	Gold Flash
SP14M1G5	SS14M1G5	14	2.0-2.5	Gold 5μ"
SP14M1G10	SS14M1G10	14	2.0-2.5	Gold 10μ"
SP14M1G15	SS14M1G15	14	2.0-2.5	Gold 15μ"
SP14M1G30	SS14M1G30	14	2.0-2.5	Gold 30μ"
SP16M1F	SS16M1F	18-16	.75-1.5	Gold Flash
SP16M1G5	SS16M1G5	18-16	.75-1.5	Gold 5μ"
SP16M1G10	SS16M1G10	18-16	.75-1.5	Gold 10μ"
SP16M1G15	SS16M1G15	18-16	.75-1.5	Gold 15μ"
SP16M1G30	SS16M1G30	18-16	.75-1.5	Gold 30μ"
SP20M1F	SS20M1F	22-20	.34-.50	Gold Flash
SP20M1G5	SS20M1G5	22-20	.34-.50	Gold 5μ"
SP20M1G10	SS20M1G10	22-20	.34-.50	Gold 10μ"
SP20M1G15	SS20M1G15	22-20	.34-.50	Gold 15μ"
SP20M1G30	SS20M1G30	22-20	.34-.50	Gold 30μ"
SP24M1F	SS24M1F	22-20	.14-.25	Gold Flash
SP24M1G5	SS24M1G5	26-24	.14-.25	Gold 5μ"
SP24M1G10	SS24M1G10	26-24	.14-.25	Gold 10μ"
SP24M1G15	SS24M1G15	26-24	.14-.25	Gold 15μ"
SP24M1G30	SS24M1G30	26-24	.14-.25	Gold 30μ"

Tools



STEP 1
Choose Receptacle Style

STEP 2
Choose Plug Style

Jam Nut Receptacles



RTS712N2P



RTS712N2P03



RTS712N2S



RTS712N2S03

Plugs



RTS6BS12N2P



RTS6BS12N2S



RTS6BS12N2P03



RTS6BS12N2S03



RTS6BS12N2PHEC03



RTS6BS12N2SHEC03



SEE TABLE ON NEXT PAGE FOR PART DETAILS

CONTACTS SOLD SEPARATELY SEE PAGE 62

Coming Soon in 2017!

Square Flange Receptacles

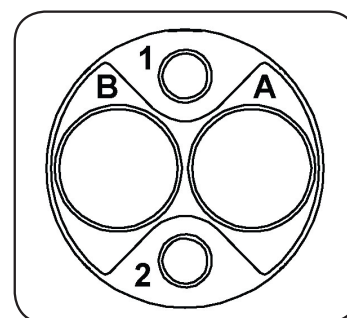


Shell Size: 12 Number of Contacts: 4 (2+2)
Sealing: IP68 / IP69k Salt Spray: 500h

Contact Size: 2-20AWG/2-2.5mm

eco | mate® Aquarius
Standard Products

- Waterproof Dynamic IP68/68K when in mated/unmated condition
- Suitable for Indoor/ Outdoor Applications
- Bayonet Rapid Coupling System
- 500 Mating Cycles
- Salt Spray ≥ 500 Hours
- UL ECBT2 & UL ETCBB Certified*



Insert Arrangement
 Pin (Male) Faceview

Connector Part Numbers -Receptacles

PART NO#	Description	Temperature Range	Figure Drawing
RTS712N2P	Receptacle, jam nut, 2+2 positions, size 12, pin contact, NBR seal	-40 to 105°C	1
RTS712N2P03	Receptacle, jam nut, 2+2 positions, size 12, pin contact, silicone rubber seal	-40 to 125°C	1
RTS712N2S	Receptacle, jam nut, 2+2 positions, size 12, socket contact, NBR seal	-40 to 105°C	2
RTS712N2S03	Receptacle, jam nut, 2+2 positions, size 12, socket contact, silicone rubber seal	-40 to 125°C	2

Connector Part Numbers -Plugs

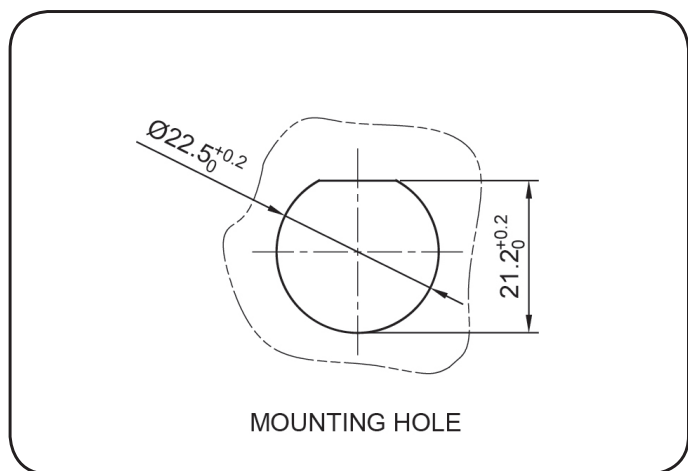
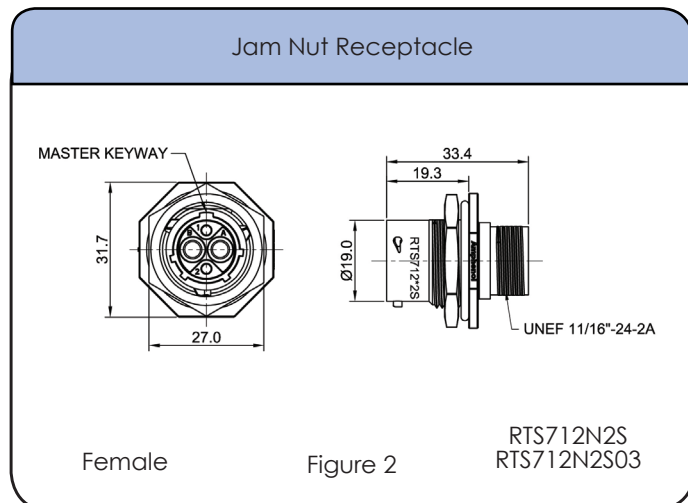
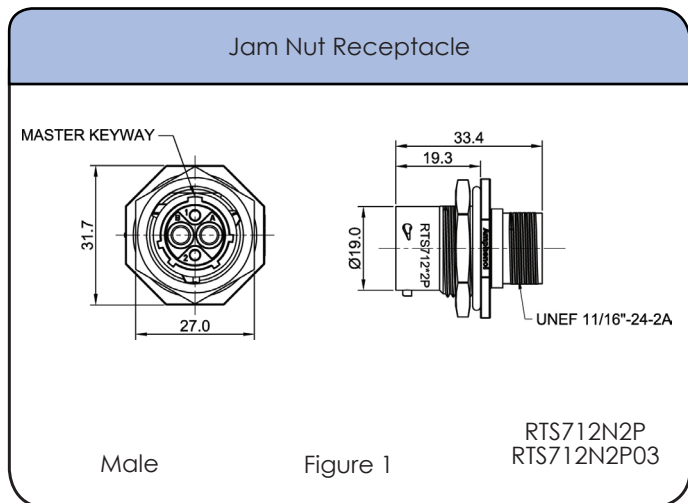
PART NO#	Description	Temperature Range	Figure Drawing
RTS6BS12N2P	Straight plug with cord grip, 2+2 positions, size 12, pin contact, NBR seal	-40 to 105°C	5
RTS6BS12N2P03	Straight plug with cord grip, 2+2 positions, size 12, pin contact, silicone rubber seal	-40 to 125°C	5
RTS6BS12N2PHEC03	Straight plug with end cap, 2+2 positions, size 12, pin contact, silicone rubber seal	-40 to 125°C	7
RTS6BS12N2S	Straight plug with cord grip, 2+2 positions, size 12, socket contact, NBR seal	-40 to 105°C	6
RTS6BS12N2S03	Straight plug with cord grip, 2+2 positions, size 12, socket contact, silicone rubber seal	-40 to 125°C	6
RTS6BS12N2SHEC03	Straight plug with end cap, 2+2 positions, size 12, socket contact, silicone rubber seal	-40 to 125°C	8

Contacts supplied separately see page 62

Shell Size: 12 Number of Contacts: 4 (2+2)
 Sealing: IP68 / IP69k Salt Spray: 500h

Contact Size: 2-20AWG/2-2.5mm

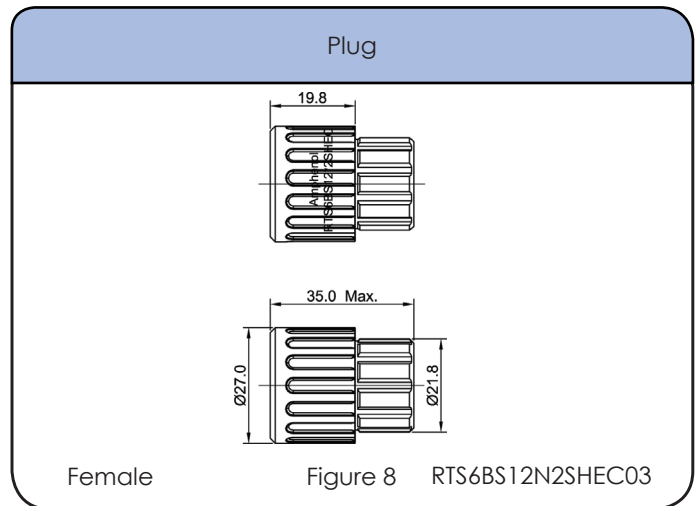
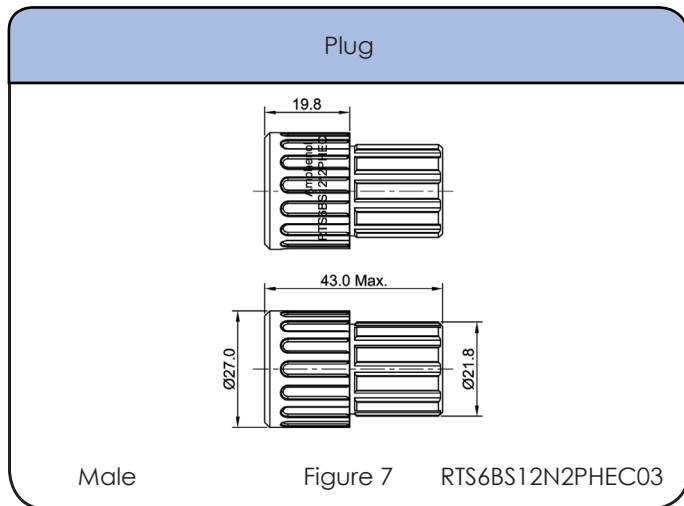
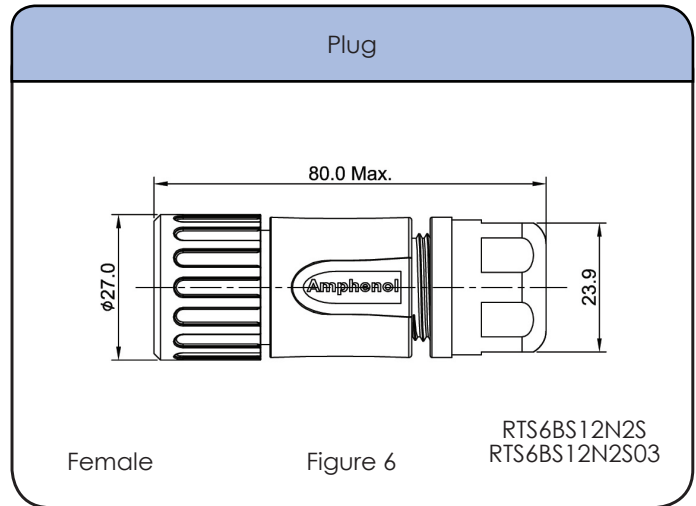
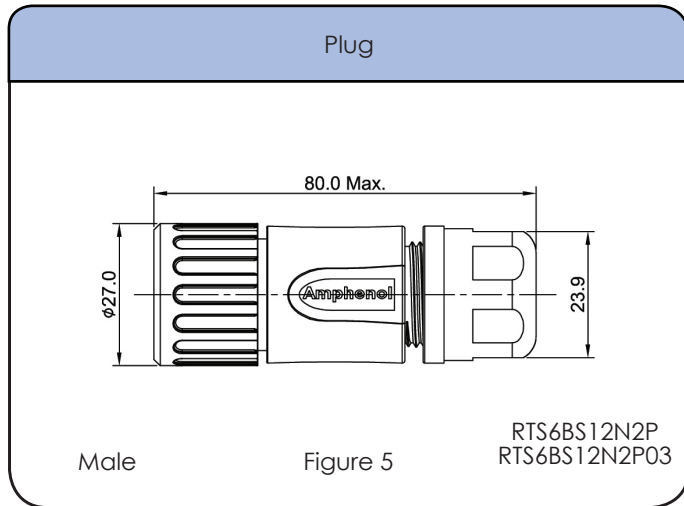
Dimensions Jam Nut Receptacle



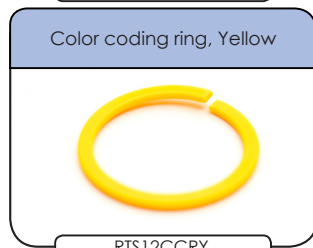
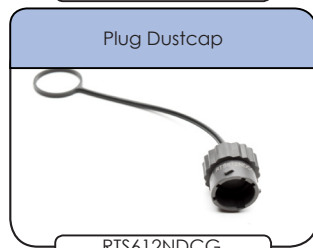
Shell Size: 12 Number of Contacts: 4 (2+2)
Sealing: IP68 / IP69k Salt Spray: 500h

Contact Size: 2-20AWG/2-2.5mm

Dimensions Plug



Accessories



Shell Size: 12 Number of Contacts: 4 (2+2) Contact Size: 2-20AWG/2-2.5mm
 Sealing: IP68 / IP69k Salt Spray: 500h

Contacts Machined



Crimp Contacts, Machined (7.5A)

Part Number		AWG	Wire Range (mm ²)	Plating
Male	Female			
MP20W23F	MS20W23F	22-20	.34-.50	Gold Flash
MP20W23G5	MS20W23G5	22-20	.34-.50	Gold 5μ"
MP20W23G10	MS20W23G10	22-20	.34-.50	Gold 10μ"
MP20W23G15	MS20W23G15	22-20	.34-.50	Gold 15μ"
MP20W23G30	MS20W23G30	22-20	.34-.50	Gold 30μ"
MP28W23F	MS28W23F	30-28	.05-.08	Gold Flash
MP28W23G5	MS28W23G5	30-28	.05-.08	Gold 5μ"
MP28W23G10	MS28W23G10	30-28	.05-.08	Gold 10μ"
MP28W23G15	MS28W23G15	30-28	.05-.08	Gold 15μ"
MP28W23G30	MS28W23G30	30-28	.05-.08	Gold 30μ"

Tools



Shell Size: 12 Number of Contacts: 4 (2+2) Contact Size: 2-20AWG/2-2.5mm
Sealing: IP68 / IP69k Salt Spray: 500h

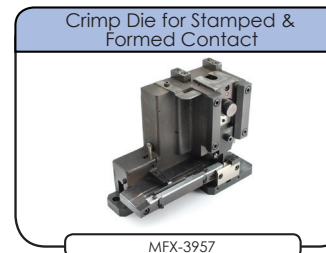
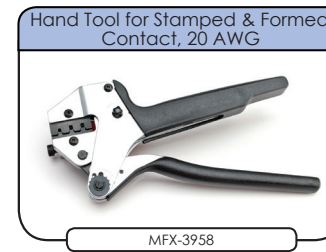
Contacts Stamped & Formed



Crimp Contacts, Stamped & Formed

Part Number		Contact Size	AWG	Wire Range (mm ²)	Plating
Male	Female				
SP12A1T	SS12A1T	2.5mm	14-12	2.5-3.5	Tin
SP20W1F	SS20W1F	20	22-20	.34-.50	Gold Flash
SP20W1G5	SS20W1G5	20	22-20	.34-.50	Gold 5μ"
SP20W1G10	SS20W1G10	20	22-20	.34-.50	Gold 10μ"
SP20W1G15	SS20W1G15	20	22-20	.34-.50	Gold 15μ"
SP20W1G30	SS20W1G30	20	22-20	.34-.50	Gold 30μ"
SP24W1F	SS24W1F	20	26-24	.14-.25	Gold Flash
SP24W1G5	SS24W1G5	20	26-24	.14-.25	Gold 5μ"
SP24W1G10	SS24W1G10	20	26-24	.14-.25	Gold 10μ"
SP24W1G15	SS24W1G15	20	26-24	.14-.25	Gold 15μ"
SP24W1G30	SS24W1G30	20	26-24	.14-.25	Gold 30μ"
SP28W1F	SS28W1F	20	30-28	.05-.08	Gold Flash
SP28W1G5	SS28W1G5	20	30-28	.05-.08	Gold 5μ"
SP28W1G10	SS28W1G10	20	30-28	.05-.08	Gold 10μ"
SP28W1G15	SS28W1G15	20	30-28	.05-.08	Gold 15μ"
SP28W1G30	SS28W1G30	20	30-28	.05-.08	Gold 30μ"

Tools



STEP 1
Choose Receptacle Style

STEP 2
Choose Plug Style

Jam Nut Receptacles



RTS712N8P



RTS712N8P03



RTS712N8S



RTS712N8S03

Plugs



RTS6BS12N8P



RTS6BS12N8S



RTS6BS12N8P03



RTS6BS12N8S03



RTS6BS12N8PHEC03



RTS6BS12N8SHEC03



SEE TABLE ON NEXT PAGE FOR PART DETAILS

CONTACTS SOLD SEPARATELY SEE PAGE 68

Coming Soon in 2017!

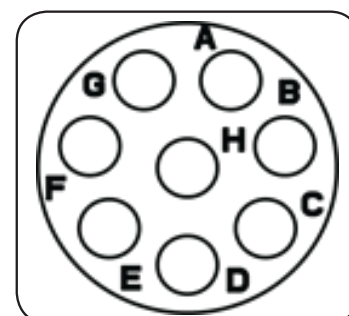
Square Flange Receptacles



Shell Size: 12 Number of Contacts: 8 Contact Size: 16
Sealing: IP68 / IP69k Salt Spray: 500h

**eco | mate® Aquarius
Standard Products**

- Waterproof Dynamic IP68/68K when in mated/unmated condition
- Suitable for Indoor/ Outdoor Applications
- Bayonet Rapid Coupling System
- 500 Mating Cycles
- Salt Spray ≥ 500 Hours
- UL ECBT2 & UL ETCBB Certified*



Insert Arrangement
Pin (Male) Faceview

Connector Part Numbers -Receptacles

PART NO#	Description	Temperature Range	Figure Drawing
RTS712N8P	Receptacle, jam nut, 8 positions, size 12, pin contact, NBR seal	-40 to 105°C	1
RTS712N8P03	Receptacle, jam nut, 8 positions, size 12, pin contact, silicone rubber seal	-40 to 125°C	1
RTS712N8S	Receptacle, jam nut, 8 positions, size 12, socket contact, NBR seal	-40 to 105°C	2
RTS712N8S03	Receptacle, jam nut, 8 positions, size 12, socket contact, silicone rubber seal	-40 to 125°C	2

Connector Part Numbers -Plugs

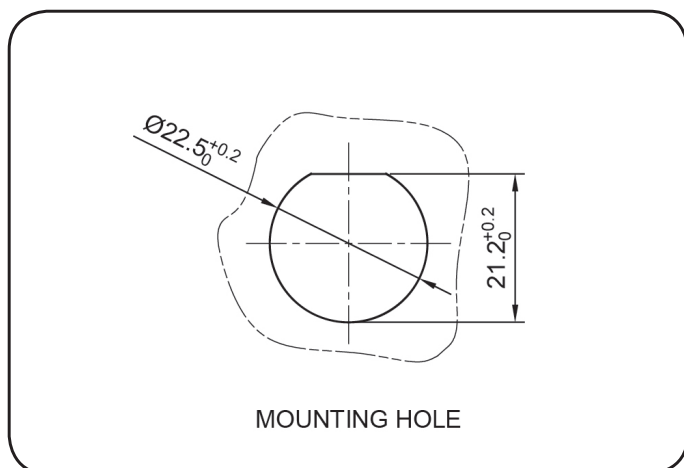
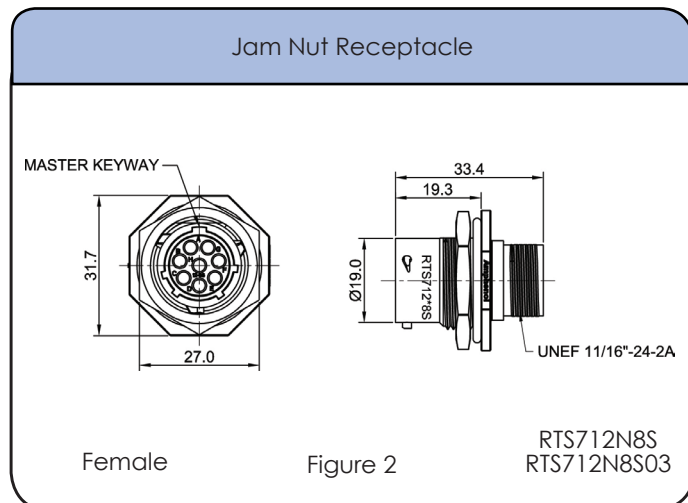
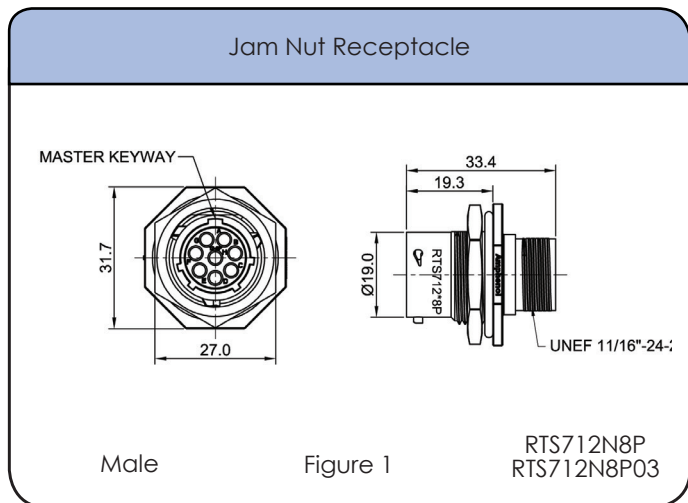
PART NO#	Description	Temperature Range	Figure Drawing
RTS6BS12N8P	Straight plug with cord grip, 8 positions, size 12, pin contact, NBR seal	-40 to 105°C	5
RTS6BS12N8P03	Straight plug with cord grip, 8 positions, size 12, pin contact, silicone rubber seal	-40 to 125°C	5
RTS6BS12N8PHEC03	Straight plug with end cap, 8 positions, size 12, pin contact, silicone rubber seal	-40 to 125°C	7
RTS6BS12N8S	Straight plug with cord grip, 8 positions, size 12, socket contact, NBR seal	-40 to 105°C	6
RTS6BS12N8S03	Straight plug with cord grip, 8 positions, size 12, socket contact, silicone rubber seal	-40 to 125°C	6
RTS6BS12N8SHEC03	Straight plug with end cap, 8 positions, size 12, socket contact, silicone rubber seal	-40 to 125°C	8

Contacts supplied separately see page 68

Shell Size: 12 Number of Contacts: 8
 Sealing: IP68 / IP69k Salt Spray: 500h

Contact Size: 16

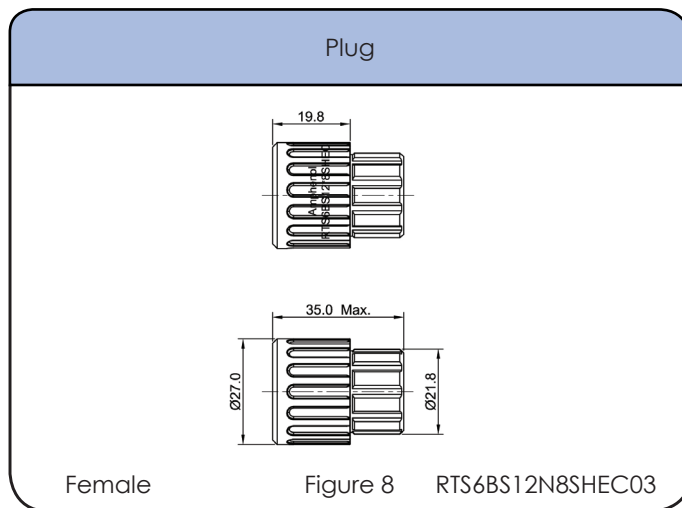
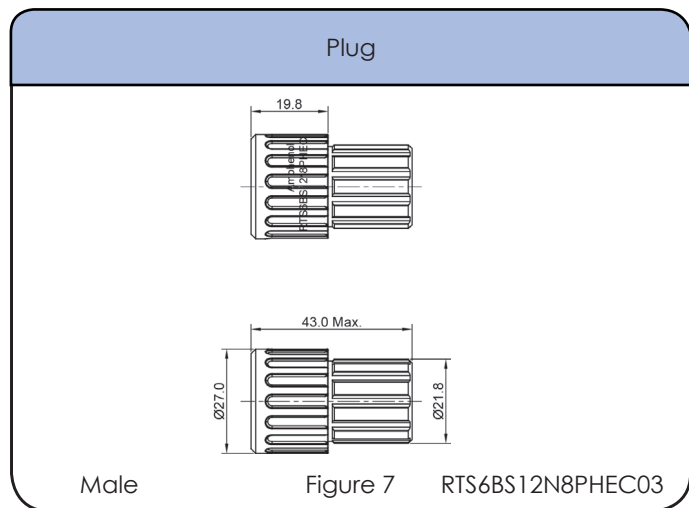
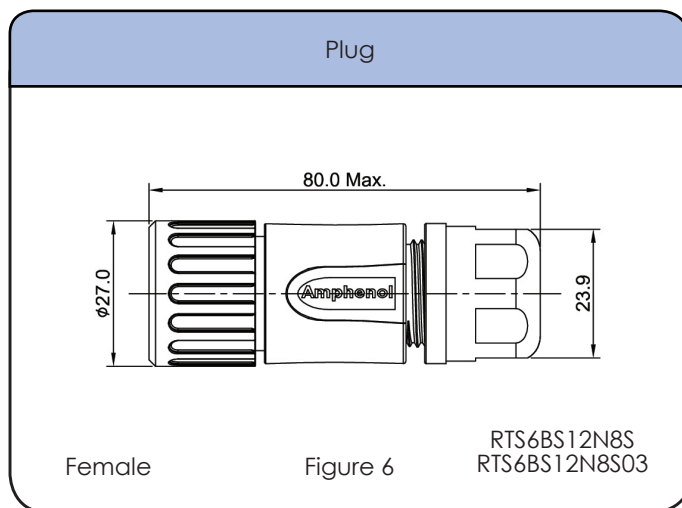
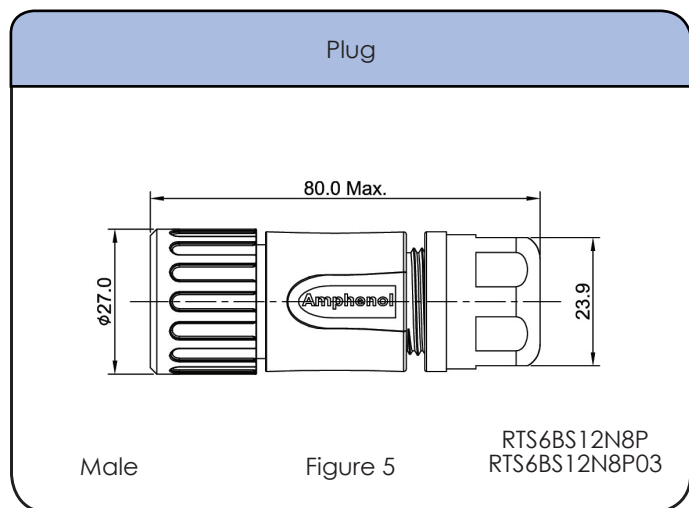
Dimensions Jam Nut Receptacles



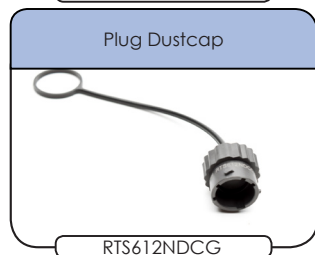
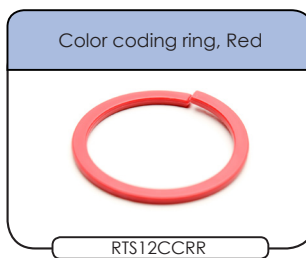
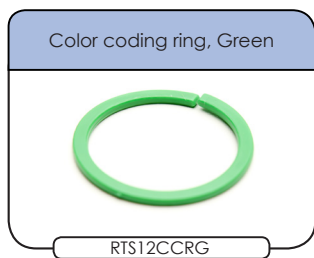
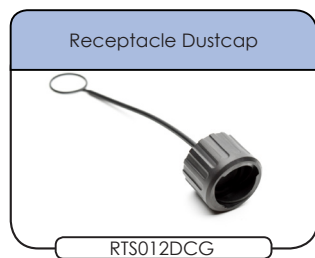
Shell Size: 12 **Number of Contacts: 8**
Sealing: IP68 / IP69k **Salt Spray: 500h**

Contact Size: 16

Dimensions Plugs



Accessories



Shell Size: 12 Number of Contacts: 8
 Sealing: IP68 / IP69k Salt Spray: 500h

Contact Size: 16

Contacts Machined



Crimp Contacts, Machined

Part Number		AWG	Wire Range (mm ²)	Plating
Male	Female			
MP14M23F	MS14M23F	14	2.0-2.5	Gold Flash
MP14M23G5	MS14M23G5	14	2.0-2.5	Gold 5μ"
MP14M23G10	MS14M23G10	14	2.0-2.5	Gold 10μ"
MP14M23G15	MS14M23G15	14	2.0-2.5	Gold 15μ"
MP14M23G30	MS14M23G30	14	2.0-2.5	Gold 30μ"
MP16M23F	MS16M23F	18-16	.75-1.5	Gold Flash
MP16M23G5	MS16M23G5	18-16	.75-1.5	Gold 5μ"
MP16M23G10	MS16M23G10	18-16	.75-1.5	Gold 10μ"
MP16M23G15	MS16M23G15	18-16	.75-1.5	Gold 15μ"
MP16M23G30	MS16M23G30	18-16	.75-1.5	Gold 30μ"
MP20M23F	MS20M23F	22-20	.34-.50	Gold Flash
MP20M23G5	MS20M23G5	22-20	.34-.50	Gold 5μ"
MP20M23G10	MS20M23G10	22-20	.34-.50	Gold 10μ"
MP20M23G15	MS20M23G15	22-20	.34-.50	Gold 15μ"
MP20M23G30	MS20M23G30	22-20	.34-.50	Gold 30μ"
MP24M23F	MS24M23F	26-24	.14-.25	Gold Flash
MP24M23G5	MS24M23G5	26-24	.14-.25	Gold 5μ"
MP24M23G10	MS24M23G10	26-24	.14-.25	Gold 10μ"
MP24M23G15	MS24M23G15	26-24	.14-.25	Gold 15μ"
MP24M23G30	MS24M23G30	26-24	.14-.25	Gold 30μ"

Tools



Shell Size: 12 Number of Contacts: 8 Contact Size: 16
Sealing: IP68 / IP69k Salt Spray: 500h

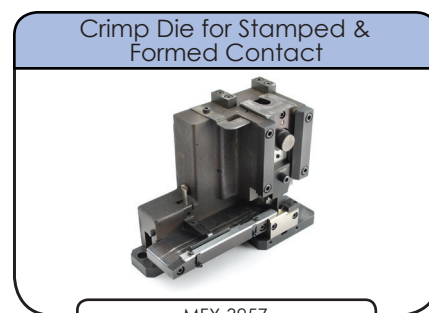
Contacts Stamped & Formed



Crimp Contacts, Stamped & Formed

Part Number		AWG	Wire Range (mm ²)	Plating
Male	Female			
SP14M1F	SS14M1F	14	2.0-2.5	Gold Flash
SP14M1G5	SS14M1G5	14	2.0-2.5	Gold 5μ"
SP14M1G10	SS14M1G10	14	2.0-2.5	Gold 10μ"
SP14M1G15	SS14M1G15	14	2.0-2.5	Gold 15μ"
SP14M1G30	SS14M1G30	14	2.0-2.5	Gold 30μ"
SP16M1F	SS16M1F	18-16	.75-1.5	Gold Flash
SP16M1G5	SS16M1G5	18-16	.75-1.5	Gold 5μ"
SP16M1G10	SS16M1G10	18-16	.75-1.5	Gold 10μ"
SP16M1G15	SS16M1G15	18-16	.75-1.5	Gold 15μ"
SP16M1G30	SS16M1G30	18-16	.75-1.5	Gold 30μ"
SP20M1F	SS20M1F	22-20	.34-.50	Gold Flash
SP20M1G5	SS20M1G5	22-20	.34-.50	Gold 5μ"
SP20M1G10	SS20M1G10	22-20	.34-.50	Gold 10μ"
SP20M1G15	SS20M1G15	22-20	.34-.50	Gold 15μ"
SP20M1G30	SS20M1G30	22-20	.34-.50	Gold 30μ"
SP24M1F	SS24M1F	22-20	.14-.25	Gold Flash
SP24M1G5	SS24M1G5	26-24	.14-.25	Gold 5μ"
SP24M1G10	SS24M1G10	26-24	.14-.25	Gold 10μ"
SP24M1G15	SS24M1G15	26-24	.14-.25	Gold 15μ"
SP24M1G30	SS24M1G30	26-24	.14-.25	Gold 30μ"

Tools



STEP 1
Choose Receptacle Style

STEP 2
Choose Plug Style

Jam Nut Receptacles



Plug



Coming Soon in 2017!

Square Flange Receptacles



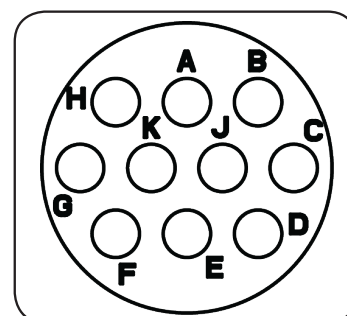
SEE TABLE ON NEXT PAGE FOR PART DETAILS

CONTACTS SOLD SEPARATELY SEE PAGE 74

Shell Size: 12 Number of Contacts: 10 Contact Size: 20
Sealing: IP68 / IP69k Salt Spray: 500h

eco | mate® Aquarius
Standard Products

- Waterproof Dynamic IP68/68K when in mated/unmated condition
- Suitable for Indoor/ Outdoor Applications
- Bayonet Rapid Coupling System
- 500 Mating Cycles
- Salt Spray ≥ 500 Hours
- UL ECBT2 & UL ETCBB Certified*



Insert Arrangement
Pin (Male) Faceview

Connector Part Numbers -Receptacles

PART NO#	Description	Temperature Range	Figure Drawing
RTS712N10P	Receptacle, jam nut, 10 positions, size 12, pin contact, NBR seal	-40 to 105°C	1
RTS712N10P03	Receptacle, jam nut, 10 positions, size 12, pin contact, silicone rubber seal	-40 to 125°C	1
RTS712N10S	Receptacle, jam nut, 10 positions, size 12, socket contact, NBR seal	-40 to 105°C	2
RTS712N10S03	Receptacle, jam nut, 10 positions, size 12, socket contact, silicone rubber seal	-40 to 125°C	2

Connector Part Numbers -Plugs

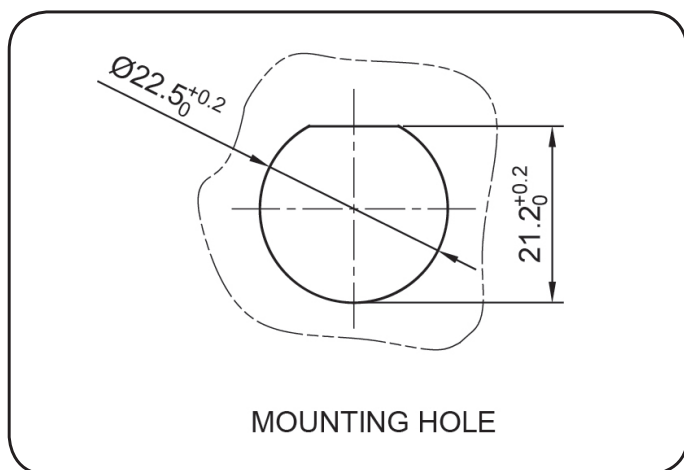
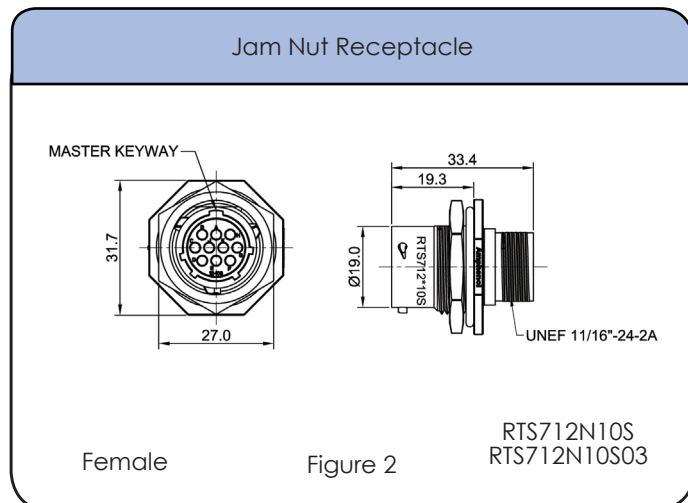
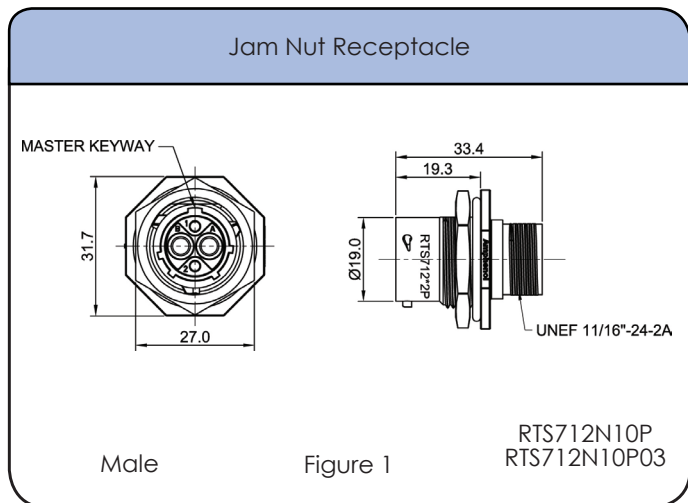
PART NO#	Description	Temperature Range	Figure Drawing
RTS6BS12N10P	Straight plug with cord grip, 10 positions, size 12, pin contact, NBR seal	-40 to 105°C	3
RTS6BS12N10P03	Straight plug with cord grip, 10 positions, size 12, pin contact, silicone rubber seal	-40 to 125°C	3
RTS6BS12N10PHEC03	Straight plug with end cap, 10 positions, size 12, pin contact, silicone rubber seal	-40 to 125°C	5
RTS6BS12N10S	Straight plug with cord grip, 10 positions, size 12, socket contact, NBR seal	-40 to 105°C	4
RTS6BS12N10S03	Straight plug with cord grip, 10 positions, size 12, socket contact, silicone rubber seal	-40 to 125°C	4
RTS6BS12N10SHEC03	Straight plug with end cap, 10 positions, size 12, socket contact, silicone rubber seal	-40 to 125°C	6

Contacts supplied separately see page 74

Shell Size: 12 Number of Contacts: 10
 Sealing: IP68 / IP69k Salt Spray: 500h

Contact Size: 20

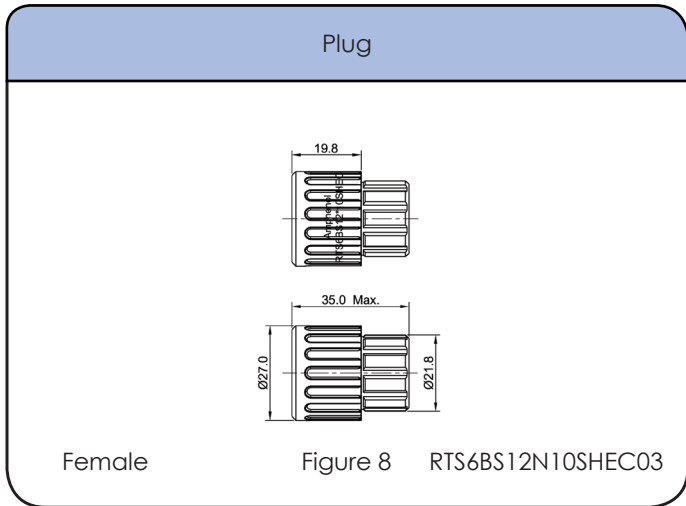
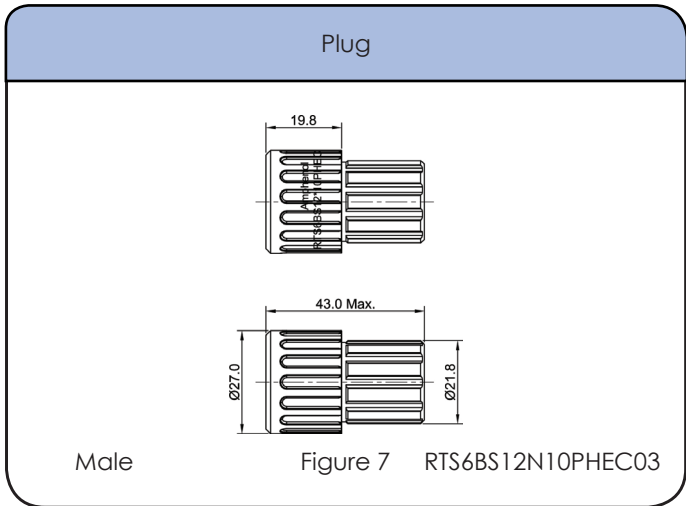
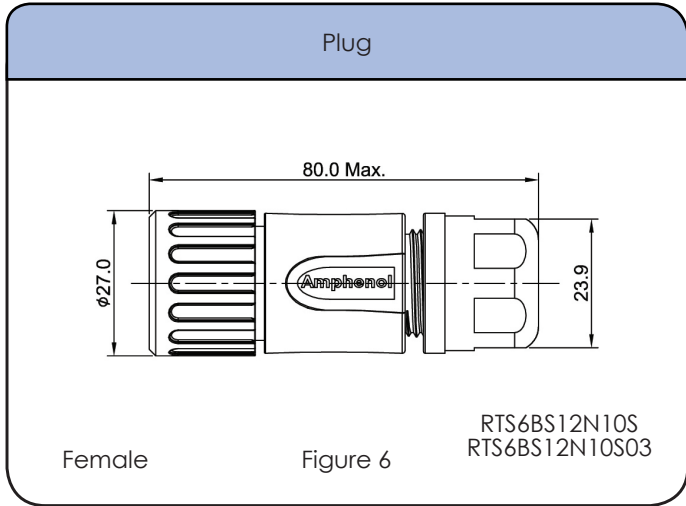
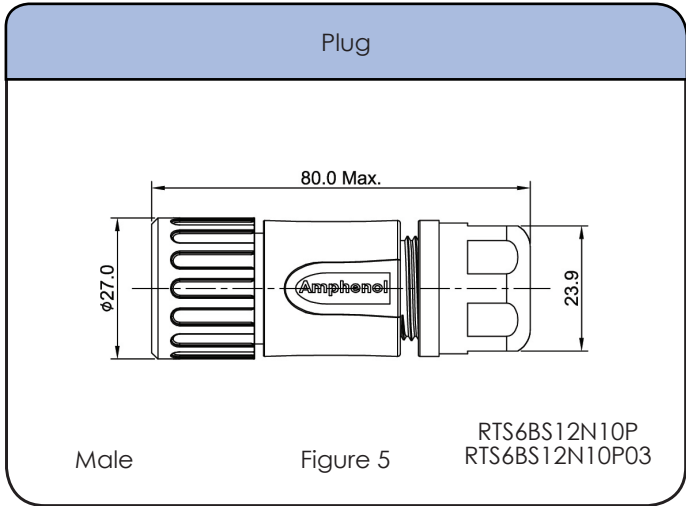
Dimensions Jam Nut Receptacles



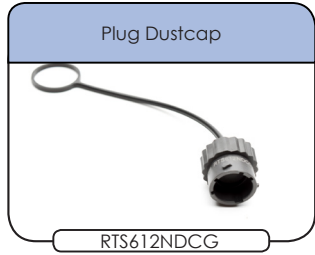
Shell Size: 12 Number of Contacts: 10
Sealing: IP68 / IP69k Salt Spray: 500h

Contact Size: 20

Dimensions Plugs



Accessories



Shell Size: 12 Number of Contacts: 10 Contact Size: 20
 Sealing: IP68 / IP69k Salt Spray: 500h

Contacts Machined



Crimp Contacts, Machined

Part Number		AWG	Wire Ranges (mm ²)	Plating
Male	Female			
MP20W23F	MS20W23F	22-20	.34-.50	Gold Flash
MP20W23G5	MS20W23G5	22-20	.34-.50	Gold 5μ"
MP20W23G10	MS20W23G10	22-20	.34-.50	Gold 10μ"
MP20W23G15	MS20W23G15	22-20	.34-.50	Gold 15μ"
MP20W23G30	MS20W23G30	22-20	.34-.50	Gold 30μ"
MP28W23F	MS28W23F	30-28	.05-.08	Gold Flash
MP28W23G5	MS28W23G5	30-28	.05-.08	Gold 5μ"
MP28W23G10	MS28W23G10	30-28	.05-.08	Gold 10μ"
MP28W23G15	MS28W23G15	30-28	.05-.08	Gold 15μ"
MP28W23G30	MS28W23G30	30-28	.05-.08	Gold 30μ"

Tools



Shell Size: 12 Number of Contacts: 10 Contact Size: 20
 Sealing: IP68 / IP69k Salt Spray: 500h

Contacts Stamped & Formed



Stamped & Formed Contacts

Crimp Contacts, Stamped & Formed

Part Number		AWG	Wire Range (mm ²)	Plating
Male	Female			
SP20W1F	SS20W1F	22-20	.34-.50	Gold Flash
SP20W1G5	SS20W1G5	22-20	.34-.50	Gold 5μ"
SP20W1G10	SS20W1G10	22-20	.34-.50	Gold 10μ"
SP20W1G15	SS20W1G15	22-20	.34-.50	Gold 15μ"
SP20W1G30	SS20W1G30	22-20	.34-.50	Gold 30μ"
SP24W1F	SS24W1F	26-24	.14-.25	Gold Flash
SP24W1G5	SS24W1G5	26-24	.14-.25	Gold 5μ"
SP24W1G10	SS24W1G10	26-24	.14-.25	Gold 10μ"
SP24W1G15	SS24W1G15	26-24	.14-.25	Gold 15μ"
SP24W1G30	SS24W1G30	26-24	.14-.25	Gold 30μ"
SP28W1F	SS28W1F	30-28	.05-.08	Gold Flash
SP28W1G5	SS28W1G5	30-28	.05-.08	Gold 5μ"
SP28W1G10	SS28W1G10	30-28	.05-.08	Gold 10μ"
SP28W1G15	SS28W1G15	30-28	.05-.08	Gold 15μ"
SP28W1G30	SS28W1G30	30-28	.05-.08	Gold 30μ"

Tools



STEP 1
Choose Receptacle Style

STEP 2
Choose Plug Style

Jam Nut Receptacles



RTS714N4P



RTS714N4S



RTS714N4P03



RTS714N4S03



RTS714N4PH



RTS714N4SH

Plugs



RTS6BS14N4P



RTS6BS14N4S



RTS6BS14N4P03



RTS6BS14N4S03



RTS6BS14N4PHEC03



RTS6BS14N4SHEC03



SEE TABLE ON NEXT PAGE FOR PART DETAILS

CONTACTS SOLD SEPARATELY SEE PAGE 81

Coming Soon in 2017!

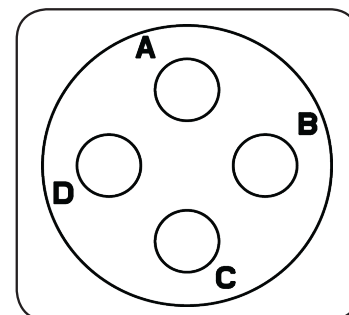
Square Flange Receptacles



Shell Size: 14 Number of Contacts: 4 Contact Size: 2.5mm
Sealing: IP68 / IP69k Salt Spray: 500h

eco | mate® Aquarius
Standard Products

- Waterproof Dynamic IP68/68K when in mated/unmated condition
- Suitable for Indoor/ Outdoor Applications
- Bayonet Rapid Coupling System
- 500 Mating Cycles
- Salt Spray ≥ 500 Hours
- UL ECBT2 & UL ETCBB Certified*



Insert Arrangement
Pin (Male) Faceview

Connector Part Numbers - Receptacles

PART NO#	Description	Temperature Range	Figure Drawing
RTS714N4P	Receptacle, jam nut, 4 positions, size 14, pin contact, NBR seal	-40 to 105°C	1
RTS714N4P03	Receptacle, jam nut, 4 positions, size 14, pin contact, silicone rubber seal	-40 to 125°C	1
RTS714N4PH	Receptacle, jam nut, 4 positions, size 14, pin contact, O-ring, NBR seal	-40 to 105°C	2
RTS714N4S	Receptacle, jam nut, 4 positions, size 14, socket contact, NBR seal	-40 to 105°C	3
RTS714N4S03	Receptacle, jam nut, 4 positions, size 14, socket contact, silicone rubber seal	-40 to 125°C	3
RTS714N4SH	Receptacle, jam nut, 4 positions, size 14, socket contact, O-ring, NBR seal	-40 to 105°C	4

Connector Part Numbers - Plugs

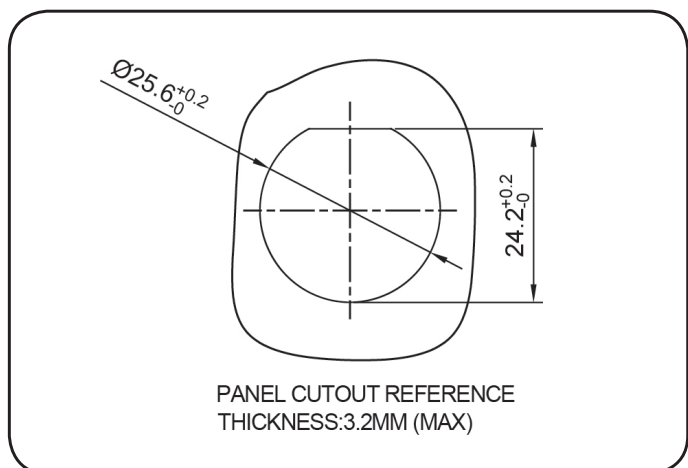
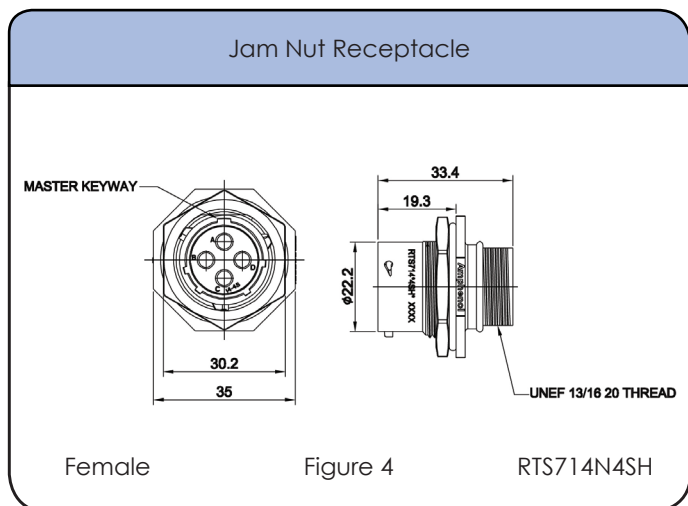
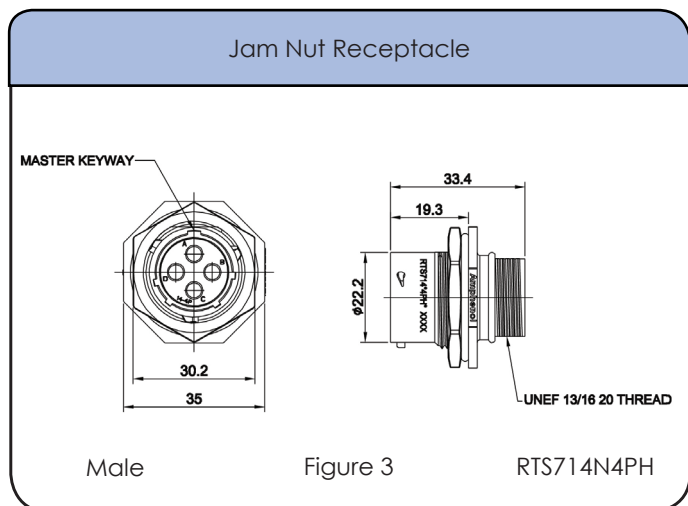
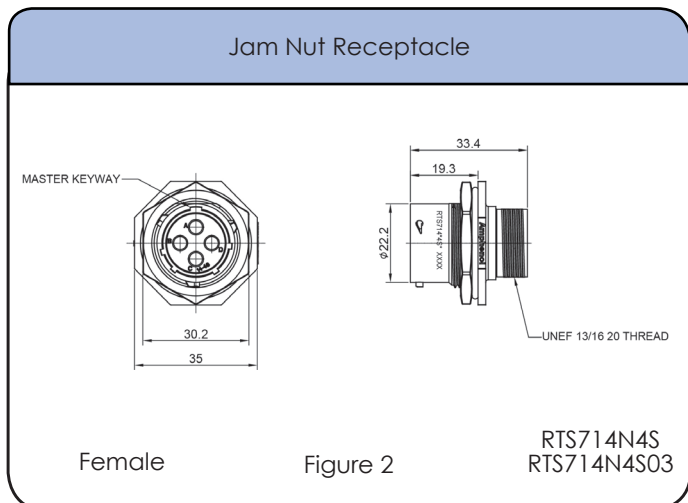
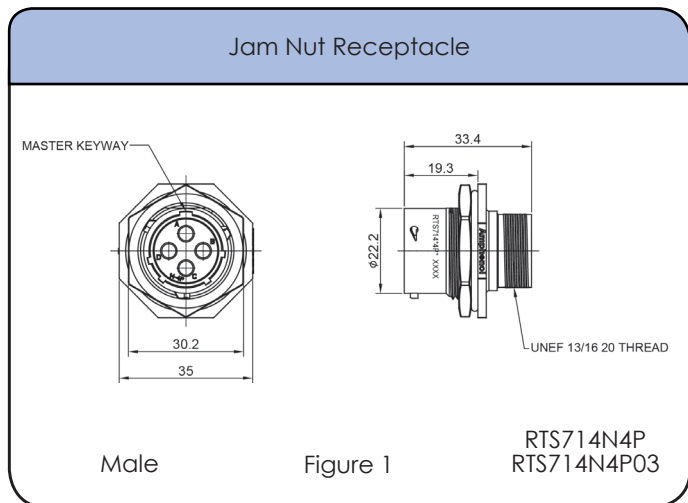
PART NO#	Description	Temperature Range	Figure Drawing
RTS6BS14N4P	Straight plug with cord grip, 4 positions, size 14, pin contact, NBR seal	-40 to 105°C	7
RTS6BS14N4P03	Straight plug with cord grip, 4 positions, size 14, pin contact, silicone rubber seal	-40 to 125°C	7
RTS6BS14N4PHEC03	Straight plug with end cap, 4 positions, size 14, pin contact, silicone rubber seal	-40 to 125°C	9
RTS6BS14N4S	Straight plug with cord grip, 4 positions, size 14, socket contact, NBR seal	-40 to 105°C	8
RTS6BS14N4S03	Straight plug with cord grip, 4 positions, size 14, socket contact, silicone rubber seal	-40 to 125°C	8
RTS6BS14N4SHEC03	Straight plug with end cap, 4 positions, size 14, socket contact, silicone rubber seal	-40 to 125°C	10

Contacts supplied separately see page 81

Shell Size: 14 Number of Contacts: 4
 Sealing: IP68 / IP69k Salt Spray: 500h

Contact Size: 2.5mm

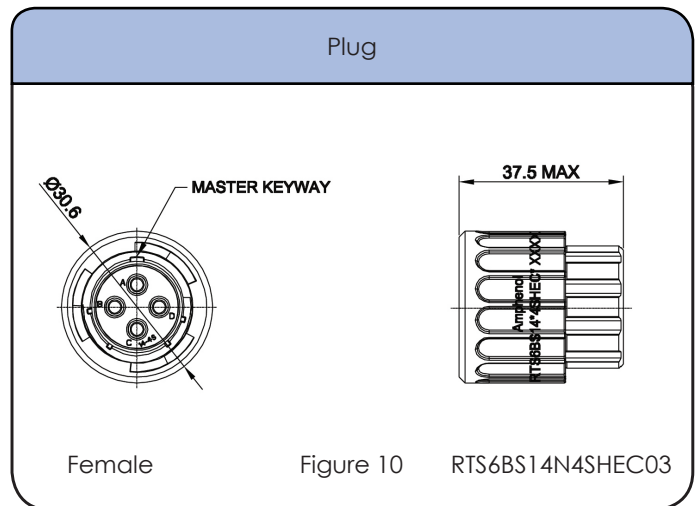
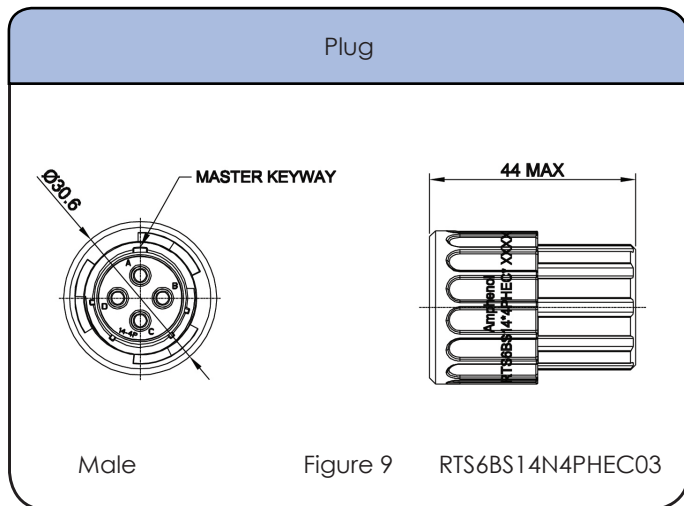
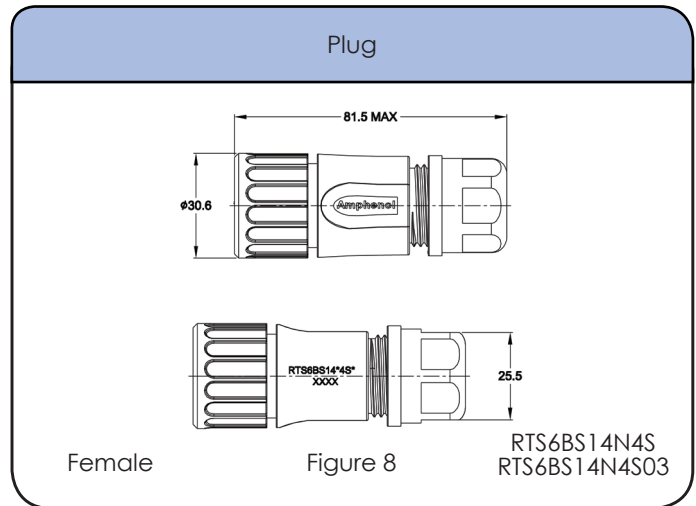
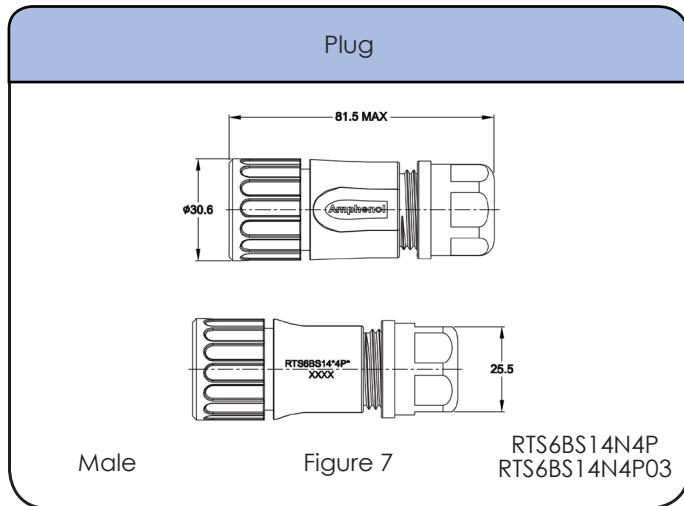
Dimensions Jam Nut Receptacles



Shell Size: 14 Number of Contacts: 4
Sealing: IP68 / IP69k Salt Spray: 500h

Contact Size: 2.5mm

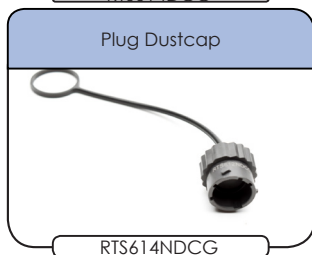
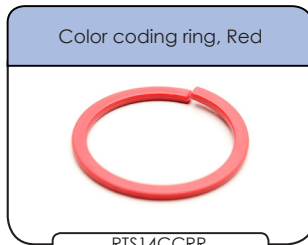
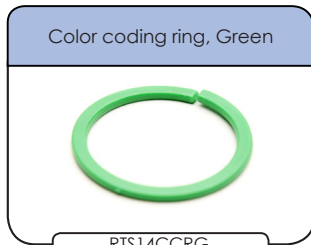
Dimensions Plugs



Shell Size: 14 Number of Contacts: 4
Sealing: IP68 / IP69k Salt Spray: 500h

Contact Size: 2.5mm

Accessories



Shell Size: 14 Number of Contacts: 4
Sealing: IP68 / IP69k Salt Spray: 500h

Contact Size: 2.5mm

Contacts



Crimp Contacts, Stamped & Formed

Part Number		AWG	Wire Range (mm ²)	Plating
Male	Female			
SP12A1T	SS12A1T	14-12	2.5-3.5	Tin

No machined contacts are available for this group

Tools



STEP 1
Choose Receptacle Style

STEP 2
Choose Plug Style

Jam Nut Receptacles



RTS714N2P



RTS714N2S



RTS714N2P03



RTS714N2S03



RTS714N2PH



RTS714N2SH

Plugs



RTS6BS14N2P



RTS6BS14N2S



RTS6BS14N2P03



RTS6BS14N2S03



RTS6BS14N2PHEC03



RTS6BS14N2SHEC03



SEE TABLE ON NEXT PAGE FOR PART DETAILS

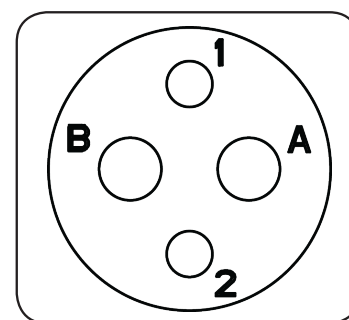
CONTACTS SOLD SEPARATELY SEE PAGE 86

Shell Size: 14 Number of Contacts: 4 (2+2)
Sealing: IP68 / IP69k Salt Spray: 500h

Contact Size: 2-16AWG/2-2.5mm

eco | mate® Aquarius
Standard Products

- Waterproof Dynamic IP68/68K when in mated/unmated condition
- Suitable for Indoor/ Outdoor Applications
- Bayonet Rapid Coupling System
- 500 Mating Cycles
- Salt Spray ≥ 500 Hours
- UL ECBT2 & UL ETCBB Certified*



Insert Arrangement
Pin (Male) Faceview

Connector Part Numbers - Receptacles

PART NO#	Description	Temperature Range	Figure Drawing
RTS714N2P	Receptacle, jam nut, 2+2 positions, size 14, pin contact, NBR seal	-40 to 105°C	1
RTS714N2P03	Receptacle, jam nut, 2+2 positions, size 14, pin contact, silicone rubber seal	-40 to 125°C	1
RTS714N2PH	Receptacle, jam nut, 2+2 positions, size 14, pin contact, O-ring, NBR seal	-40 to 105°C	3
RTS714N2S	Receptacle, jam nut, 2+2 positions, size 14, socket contact, NBR seal	-40 to 105°C	2
RTS714N2S03	Receptacle, jam nut, 2+2 positions, size 14, socket contact, silicone rubber seal	-40 to 125°C	2
RTS714N2SH	Receptacle, jam nut, 2+2 positions, size 14, socket contact, O-ring, NBR seal	-40 to 105°C	4

Connector Part Numbers - Plugs

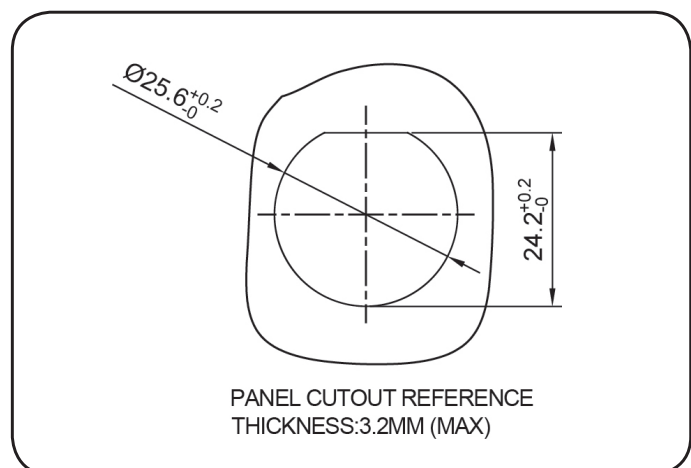
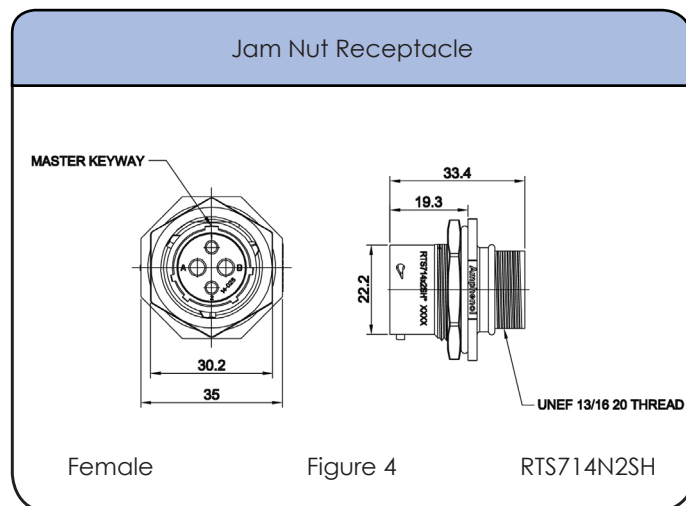
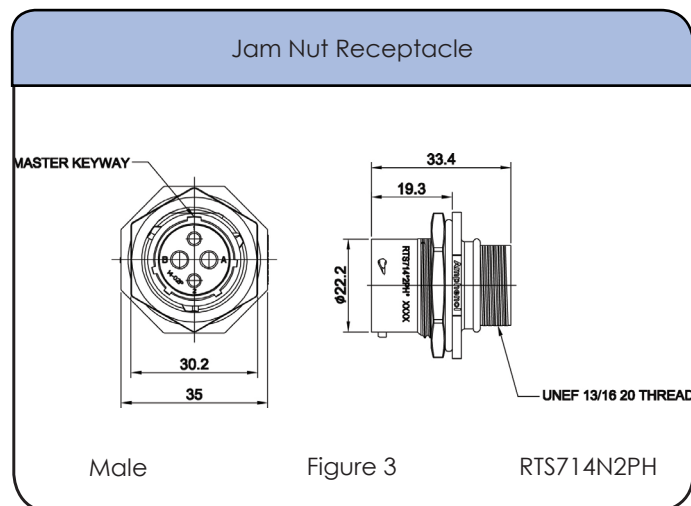
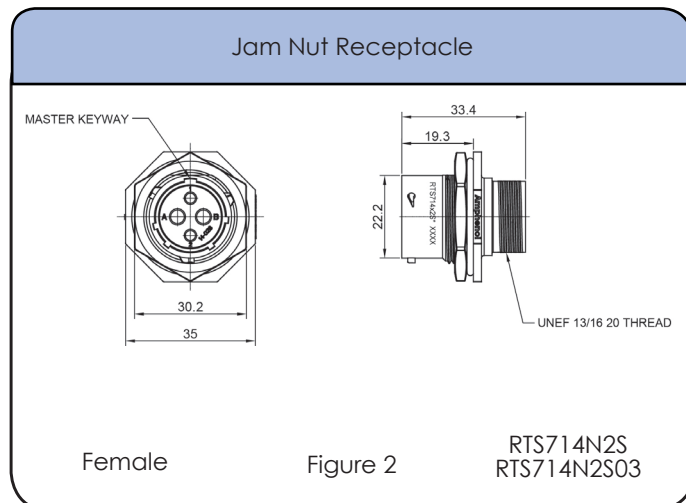
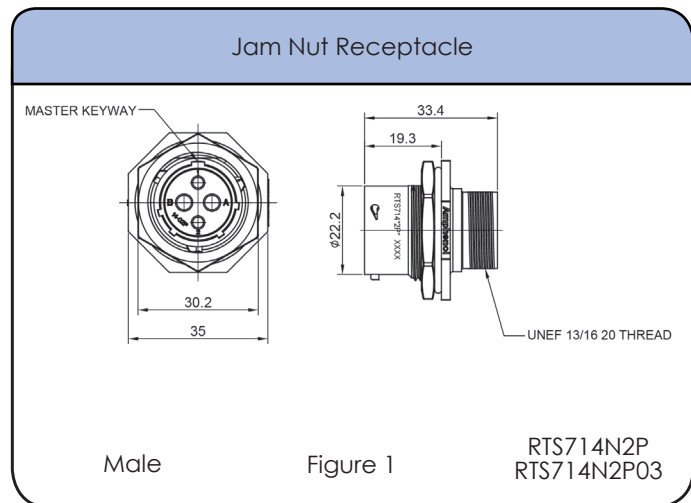
PART NO#	Description	Temperature Range	Figure Drawing
RTS6BS14N2P	Straight plug with cord grip, 2+2 positions, size 14, pin contact, NBR seal	-40 to 105°C	5
RTS6BS14N2P03	Straight plug with cord grip, 2+2 positions, size 14, pin contact, silicone rubber seal	-40 to 125°C	5
RTS6BS14N2PHEC03	Straight plug with end cap, 2+2 positions, size 14, pin contact, silicone rubber seal	-40 to 125°C	7
RTS6BS14N2S	Straight plug with cord grip, 2+2 positions, size 14, socket contact, NBR seal	-40 to 105°C	6
RTS6BS14N2S03	Straight plug with cord grip, 2+2 positions, size 14, socket contact, silicone rubber seal	-40 to 125°C	6
RTS6BS14N2SHEC03	Straight plug with end cap, 2+2 positions, size 14, socket contact, silicone rubber seal	-40 to 125°C	8

Contacts supplied separately see page 86

Shell Size: 14 Number of Contacts: 4 (2+2)
 Sealing: IP68 / IP69k Salt Spray: 500h

Contact Size: 2-16AWG/2-2.5mm

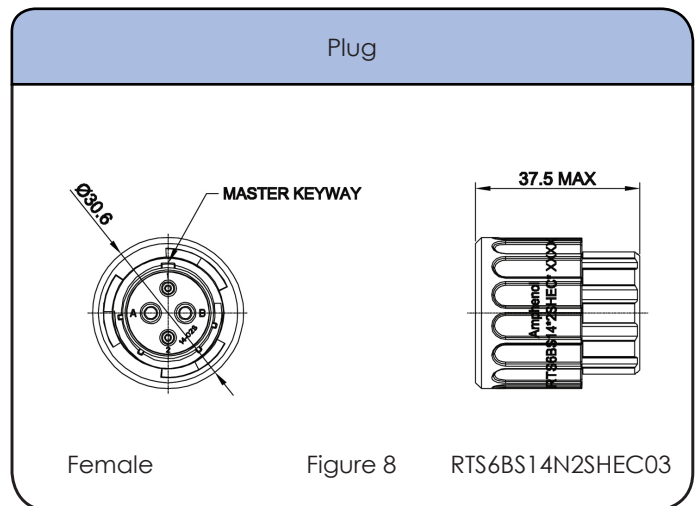
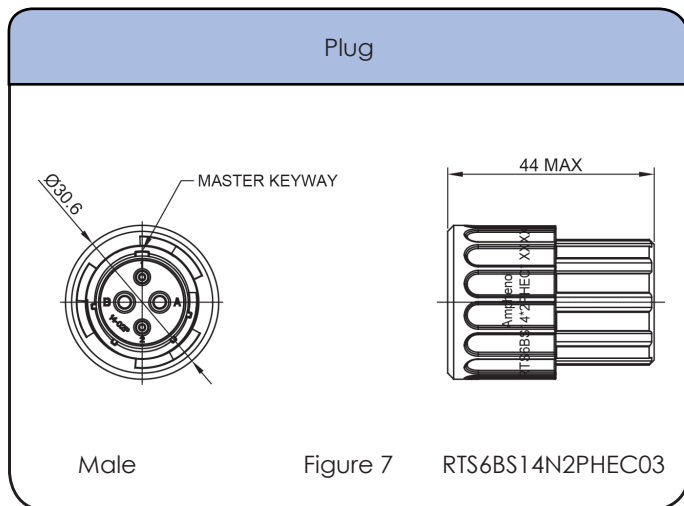
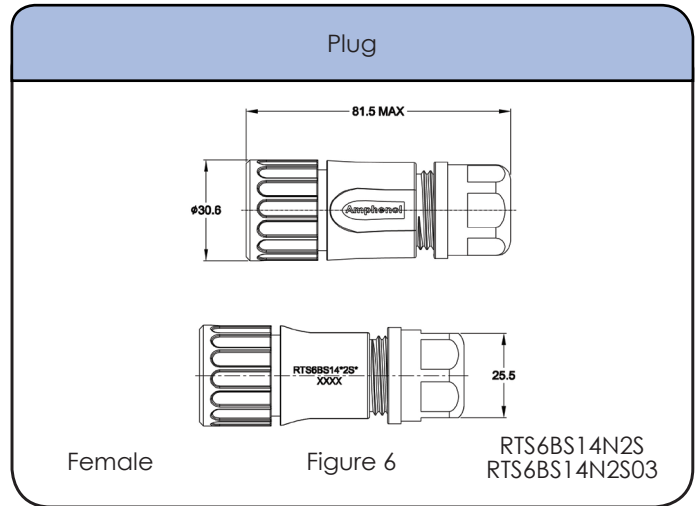
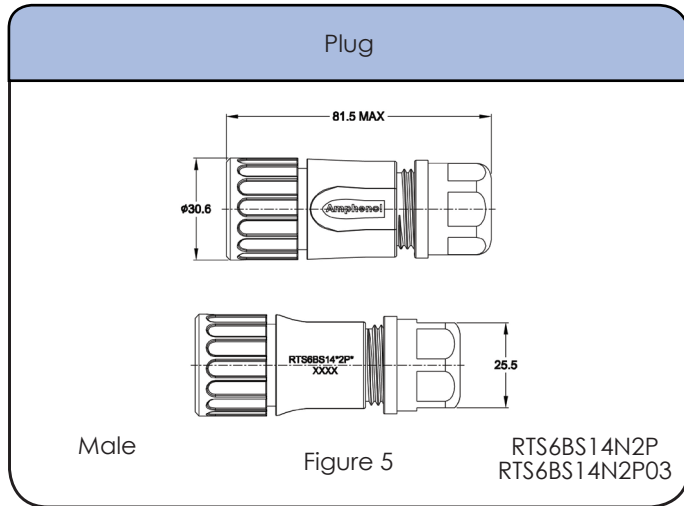
Dimensions Jam Nut Receptacles



Shell Size: 14 **Number of Contacts: 4 (2+2)**
Sealing: IP68 / IP69k **Salt Spray: 500h**

Contact Size: 2-16AWG/2-2.5mm

Dimensions / Plugs



Shell Size: 14 Number of Contacts: 4 (2+2) Contact Size: 2-16AWG/2-2.5mm
 Sealing: IP68 / IP69k Salt Spray: 500h

Contacts Machined



Crimp Contacts, Machined

Part Number		Contact Size	AWG	Wire Range (mm ²)	Plating
Male	Female				
MP14M23F	MS14M23F	16	14	2.0-2.5	Gold Flash
MP14M23G5	MS14M23G5	16	14	2.0-2.5	Gold 5μ"
MP14M23G10	MS14M23G10	16	14	2.0-2.5	Gold 10μ"
MP14M23G15	MS14M23G15	16	14	2.0-2.5	Gold 15μ"
MP14M23G30	MS14M23G30	16	14	2.0-2.5	Gold 30μ"
MP16M23F	MS16M23F	16	18-16	.75-1.5	Gold Flash
MP16M23G5	MS16M23G5	16	18-16	.75-1.5	Gold 5μ"
MP16M23G10	MS16M23G10	16	18-16	.75-1.5	Gold 10μ"
MP16M23G15	MS16M23G15	16	18-16	.75-1.5	Gold 15μ"
MP16M23G30	MS16M23G30	16	18-16	.75-1.5	Gold 30μ"
MP20M23F	MS20M23F	16	22-20	.34-.50	Gold Flash
MP20M23G5	MS20M23G5	16	22-20	.34-.50	Gold 5μ"
MP20M23G10	MS20M23G10	16	22-20	.34-.50	Gold 10μ"
MP20M23G15	MS20M23G15	16	22-20	.34-.50	Gold 15μ"
MP20M23G30	MS20M23G30	16	22-20	.34-.50	Gold 30μ"
MP24M23F	MS24M23F	16	26-24	.14-.25	Gold Flash
MP24M23G5	MS24M23G5	16	26-24	.14-.25	Gold 5μ"
MP24M23G10	MS24M23G10	16	26-24	.14-.25	Gold 10μ"
MP24M23G15	MS24M23G15	16	26-24	.14-.25	Gold 15μ"
MP24M23G30	MS24M23G30	16	26-24	.14-.25	Gold 30μ"

Tools



Shell Size: 14 Number of Contacts: 4 (2+2) Contact Size: 2-16AWG/2-2.5mm
Sealing: IP68 / IP69k Salt Spray: 500h

Contacts Stamped & Formed



Tools

Extraction Tool 2.5mm Contact



Contact Extraction Tool, #16 (Ø 1.6) Contact



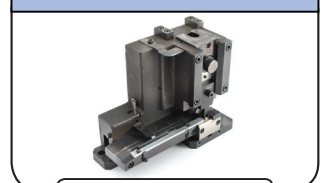
Hand Tool, Stamped & Formed Contact, 2.5mm



Hand Tool, Stamped & Formed Contact, 16 AWG



Crimp Die for Stamped & Formed Contact

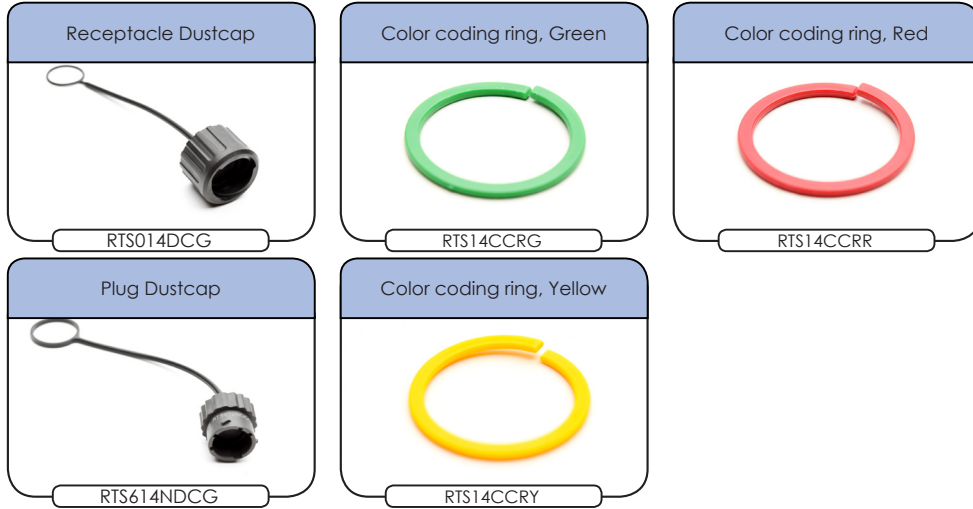


Crimp Contacts, Stamped & Formed

Part Number		Contact Size	AWG	Wire Range (mm ²)	Plating
Male	Female				
SP12A1T	SS12A1T	2.5mm	14-12	2.5-3.5	Tin
SP14M1F	SS14M1F	16	14	2.0-2.5	Gold Flash
SP14M1G5	SS14M1G5	16	14	2.0-2.5	Gold 5µ"
SP14M1G10	SS14M1G10	16	14	2.0-2.5	Gold 10µ"
SP14M1G15	SS14M1G15	16	14	2.0-2.5	Gold 15µ"
SP14M1G30	SS14M1G30	16	14	2.0-2.5	Gold 30µ"
SP16M1F	SS16M1F	16	18-16	.75-1.5	Gold Flash
SP16M1G5	SS16M1G5	16	18-16	.75-1.5	Gold 5µ"
SP16M1G10	SS16M1G10	16	18-16	.75-1.5	Gold 10µ"
SP16M1G15	SS16M1G15	16	18-16	.75-1.5	Gold 15µ"
SP16M1G30	SS16M1G30	16	18-16	.75-1.5	Gold 30µ"
SP20M1F	SS20M1F	16	22-20	.34-.50	Gold Flash
SP20M1G5	SS20M1G5	16	22-20	.34-.50	Gold 5µ"
SP20M1G10	SS20M1G10	16	22-20	.34-.50	Gold 10µ"
SP20M1G15	SS20M1G15	16	22-20	.34-.50	Gold 15µ"
SP20M1G30	SS20M1G30	16	22-20	.34-.50	Gold 30µ"
SP24M1F	SS24M1F	16	22-20	.14-.25	Gold Flash
SP24M1G5	SS24M1G5	16	26-24	.14-.25	Gold 5µ"
SP24M1G10	SS24M1G10	16	26-24	.14-.25	Gold 10µ"
SP24M1G15	SS24M1G15	16	26-24	.14-.25	Gold 15µ"
SP24M1G30	SS24M1G30	16	26-24	.14-.25	Gold 30µ"

Shell Size: 14 Number of Contacts: 4 (2+2) Contact Size: 2-16AWG/2-2.5mm
Sealing: IP68 / IP69k Salt Spray: 500h

Accessories



THIS PAGE LEFT BLANK INTENTIONALLY

STEP 1
Choose Receptacle Style

STEP 2
Choose Plug Style

Jam Nut Receptacles



RTS714N7P



RTS714N7S



RTS714N7P03



RTS714N7S03



RTS714N7SH



RTS714N7PH

Plug



RTS6BS14N7P



RTS6BS14N7S



RTS6BS14N7P03



RTS6BS14N7S03



SEE TABLE ON NEXT PAGE FOR PART DETAILS

CONTACTS SOLD SEPARATELY SEE PAGE 94

Coming Soon in 2017!

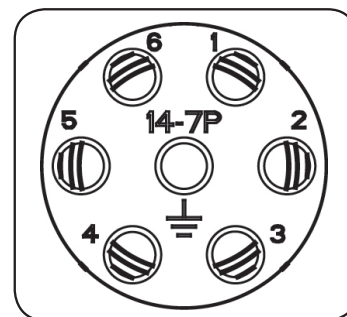
Square Flange Receptacles



Shell Size: 14 Number of Contacts: 7 Contact Size: 16
Sealing: IP68 / IP69k Salt Spray: 500h

**eco | mate® Aquarius
Standard Products**

- Waterproof Dynamic IP68/68K when in mated/unmated condition
- Suitable for Indoor/ Outdoor Applications
- Bayonet Rapid Coupling System
- 500 Mating Cycles
- Salt Spray ≥ 500 Hours
- UL ECBT2 & UL ETCBB Certified*



Insert Arrangement
Pin (Male) Faceview

Connector Part Numbers - Receptacles

PART NO#	Description	Temperature Range	Figure Drawing
RTS714N7P	Receptacle, jam nut, 7 positions, size 14, pin contact, NBR seal	-40 to 105°C	1
RTS714N7P03	Receptacle, jam nut, 7 positions, size 14, pin contact, silicone rubber seal	-40 to 125°C	1
RTS714N7PH	Receptacle, jam nut, 7 positions, size 14, pin contact, O-ring, NBR seal	-40 to 105°C	3
RTS714N7S	Receptacle, jam nut, 7 positions, size 14, socket contact, NBR seal	-40 to 105°C	2
RTS714N7S03	Receptacle, jam nut, 7 positions, size 14, socket contact, silicone rubber seal	-40 to 125°C	2
RTS714N7SH	Receptacle, jam nut, 7 positions, size 14, socket contact, O-ring, NBR seal	-40 to 105°C	4

Connector Part Numbers - Plugs

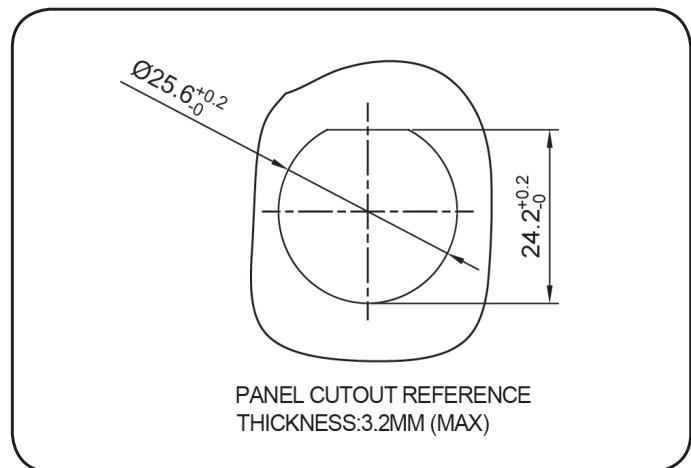
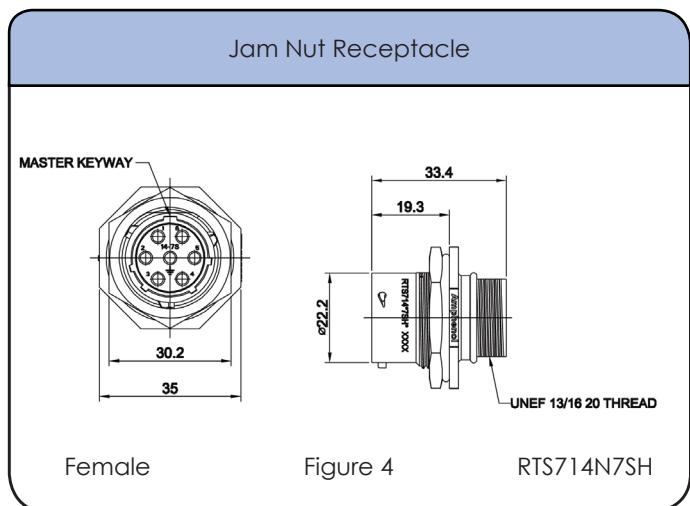
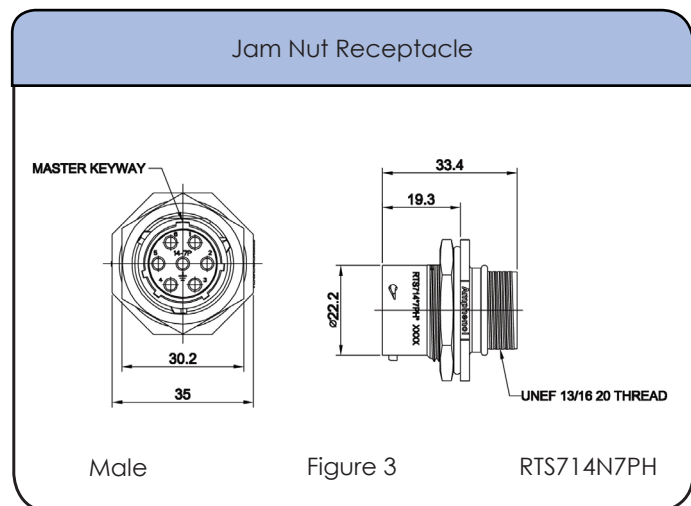
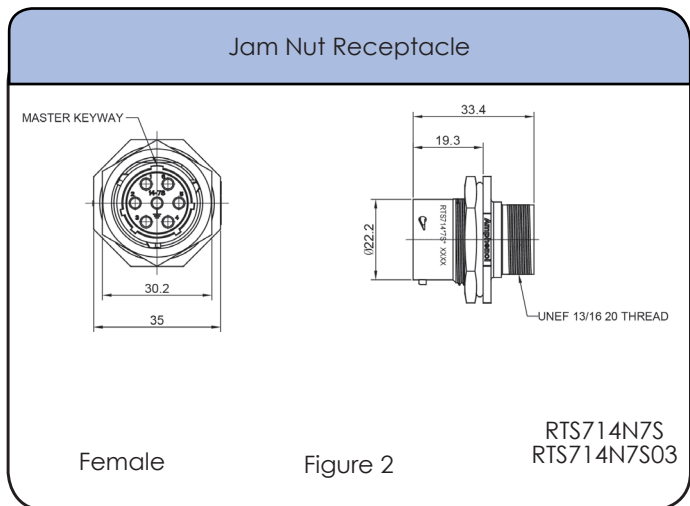
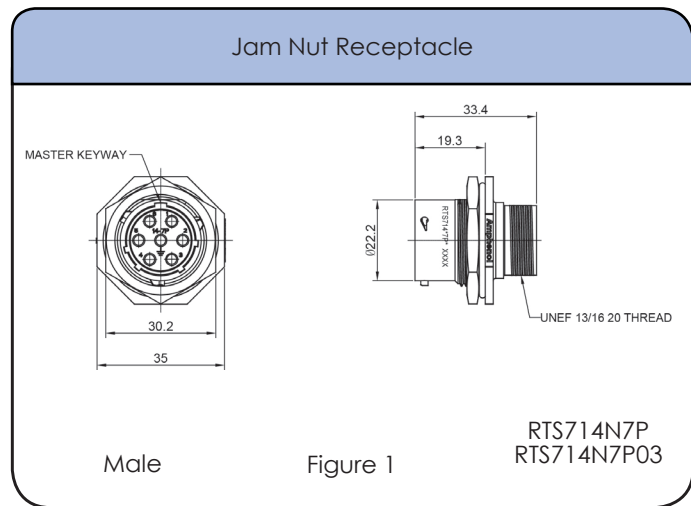
PART NO#	Description	Temperature Range	Figure Drawing
RTS6BS14N7P	Straight plug with cord grip, 7 positions, size 14, pin contact, NBR seal	-40 to 105°C	7
RTS6BS14N7P03	Straight plug with cord grip, 7 positions, size 14, pin contact, silicone rubber seal	-40 to 125°C	7
RTS6BS14N7S	Straight plug with cord grip, 7 positions, size 14, socket contact, NBR seal	-40 to 105°C	8
RTS6BS14N7S03	Straight plug with cord grip, 7 positions, size 14, socket contact, silicone rubber seal	-40 to 125°C	8

Contacts supplied separately see page 94

Shell Size: 14 Number of Contacts: 7
 Sealing: IP68 / IP69k Salt Spray: 500h

Contact Size: 16

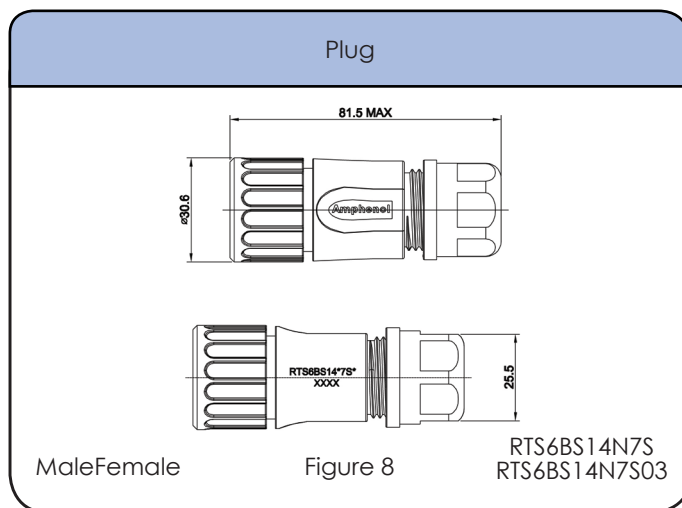
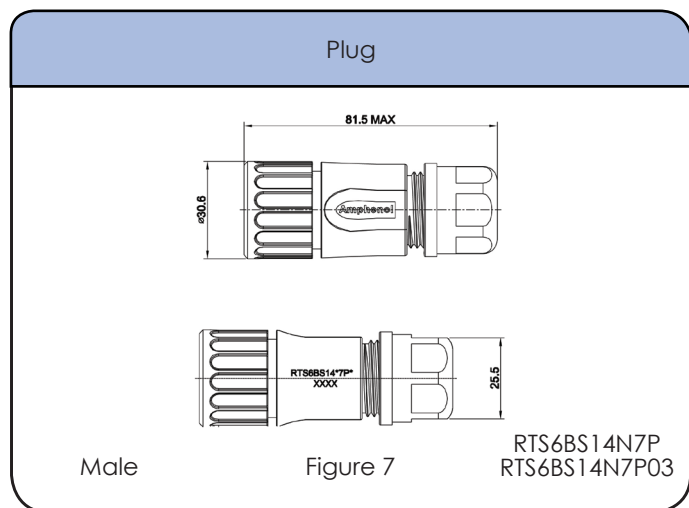
Dimensions Jam Nut Receptacles



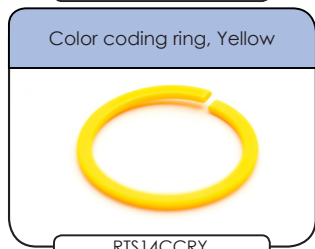
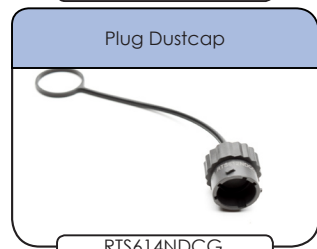
Shell Size: 14 Number of Contacts: 7
Sealing: IP68 / IP69k Salt Spray: 500h

Contact Size: 16

Dimensions Plugs



Accessories



Shell Size: 14 Number of Contacts: 7 Contact Size: 16
 Sealing: IP68 / IP69k Salt Spray: 500h

Contacts



Crimp Contacts, Machined

Part Number		AWG	Wire Range (mm ²)	Plating
Male	Female			
MP14M23F	MS14M23F	14	2.0-2.5	Gold Flash
MP14M23G5	MS14M23G5	14	2.0-2.5	Gold 5μ"
MP14M23G10	MS14M23G10	14	2.0-2.5	Gold 10μ"
MP14M23G15	MS14M23G15	14	2.0-2.5	Gold 15μ"
MP14M23G30	MS14M23G30	14	2.0-2.5	Gold 30μ"
MP16M23F	MS16M23F	18-16	.75-1.5	Gold Flash
MP16M23G5	MS16M23G5	18-16	.75-1.5	Gold 5μ"
MP16M23G10	MS16M23G10	18-16	.75-1.5	Gold 10μ"
MP16M23G15	MS16M23G15	18-16	.75-1.5	Gold 15μ"
MP16M23G30	MS16M23G30	18-16	.75-1.5	Gold 30μ"
MP20M23F	MS20M23F	22-20	.34-.50	Gold Flash
MP20M23G5	MS20M23G5	22-20	.34-.50	Gold 5μ"
MP20M23G10	MS20M23G10	22-20	.34-.50	Gold 10μ"
MP20M23G15	MS20M23G15	22-20	.34-.50	Gold 15μ"
MP20M23G30	MS20M23G30	22-20	.34-.50	Gold 30μ"
MP24M23F	MS24M23F	26-24	.14-.25	Gold Flash
MP24M23G5	MS24M23G5	26-24	.14-.25	Gold 5μ"
MP24M23G10	MS24M23G10	26-24	.14-.25	Gold 10μ"
MP24M23G15	MS24M23G15	26-24	.14-.25	Gold 15μ"
MP24M23G30	MS24M23G30	26-24	.14-.25	Gold 30μ"

Tools



Shell Size: 14 Number of Contacts: 7 Contact Size: 16
Sealing: IP68 / IP69k Salt Spray: 500h

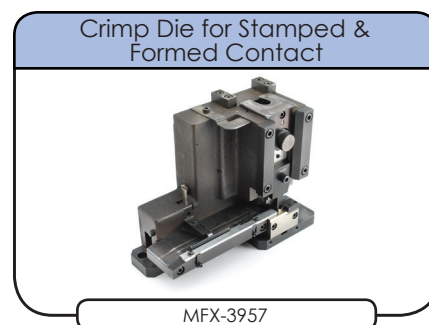
Contacts (con't)



Crimp Contacts, Stamped & Formed

Part Number		AWG	Wire Range (mm ²)	Plating
Male	Female			
SP14M1F	SS14M1F	14	2.0-2.5	Gold Flash
SP14M1G5	SS14M1G5	14	2.0-2.5	Gold 5μ"
SP14M1G10	SS14M1G10	14	2.0-2.5	Gold 10μ"
SP14M1G15	SS14M1G15	14	2.0-2.5	Gold 15μ"
SP14M1G30	SS14M1G30	14	2.0-2.5	Gold 30μ"
SP16M1F	SS16M1F	18-16	.75-1.5	Gold Flash
SP16M1G5	SS16M1G5	18-16	.75-1.5	Gold 5μ"
SP16M1G10	SS16M1G10	18-16	.75-1.5	Gold 10μ"
SP16M1G15	SS16M1G15	18-16	.75-1.5	Gold 15μ"
SP16M1G30	SS16M1G30	18-16	.75-1.5	Gold 30μ"
SP20M1F	SS20M1F	22-20	.34-.50	Gold Flash
SP20M1G5	SS20M1G5	22-20	.34-.50	Gold 5μ"
SP20M1G10	SS20M1G10	22-20	.34-.50	Gold 10μ"
SP20M1G15	SS20M1G15	22-20	.34-.50	Gold 15μ"
SP20M1G30	SS20M1G30	22-20	.34-.50	Gold 30μ"
SP24M1F	SS24M1F	22-20	.14-.25	Gold Flash
SP24M1G5	SS24M1G5	26-24	.14-.25	Gold 5μ"
SP24M1G10	SS24M1G10	26-24	.14-.25	Gold 10μ"
SP24M1G15	SS24M1G15	26-24	.14-.25	Gold 15μ"
SP24M1G30	SS24M1G30	26-24	.14-.25	Gold 30μ"

Tools



STEP 1
Choose Receptacle Style

STEP 2
Choose Plug Style

Jam Nut Receptacles



RTS714N8P



RTS714N8S



RTS714N8P03



RTS714N8S03



RTS714N8PH



RTS714N8SH

Plugs



RTS6BS14N8P



RTS6BS14N8S



RTS6BS14N8P03



RTS6BS14N8S03



RTS6BS14N8PHEC03



RTS6BS14N8SHEC03



SEE TABLE ON NEXT PAGE FOR PART DETAILS

CONTACTS SOLD SEPARATELY SEE PAGE 100

Coming Soon in 2017!

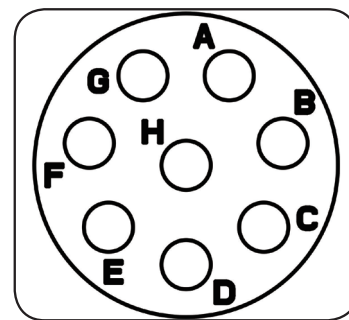
Square Flange Receptacles



Shell Size: 14 Number of Contacts: 8 Contact Size: 16
Sealing: IP68 / IP69k Salt Spray: 500h

eco | mate® Aquarius
Standard Products

- Waterproof Dynamic IP68/68K when in mated/unmated condition
- Suitable for Indoor/ Outdoor Applications
- Bayonet Rapid Coupling System
- 500 Mating Cycles
- Salt Spray ≥ 500 Hours
- UL ECBT2 & UL ETCBB Certified*



Insert Arrangement
Pin (Male) Faceview

Connector Part Numbers -Receptacles

PART NO#	Description	Temperature Range	Figure Drawing
RTS714N8P	Receptacle, jam nut, 8 positions, size 14, pin contact, NBR seal	-40 to 105°C	1
RTS714N8P03	Receptacle, jam nut, 8 positions, size 14, pin contact, silicone rubber seal	-40 to 125°C	1
RTS714N8PH	Receptacle, jam nut, 8 positions, size 14, pin contact, O-ring	-40 to 105°C	3
RTS714N8S	Receptacle, jam nut, 8 positions, size 14, socket contact, NBR seal	-40 to 105°C	2
RTS714N8S03	Receptacle, jam nut, 8 positions, size 14, for socket contact, silicone rubber seal	-40 to 125°C	2
RTS714N8SH	Receptacle, jam nut, 8 positions, size 14, socket contact, O-ring	-40 to 105°C	4

Connector Part Numbers -Plugs

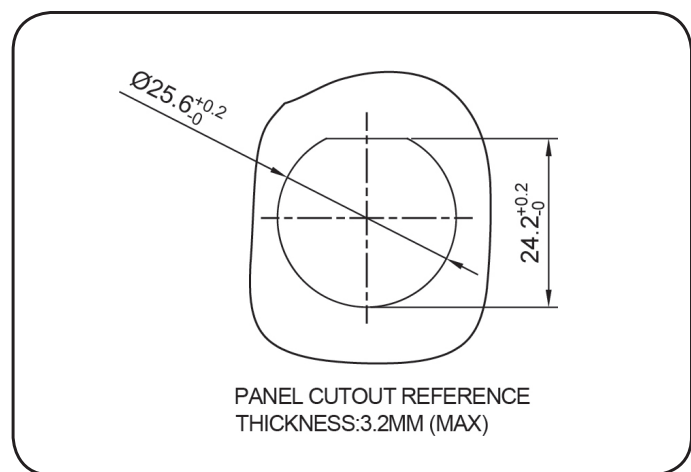
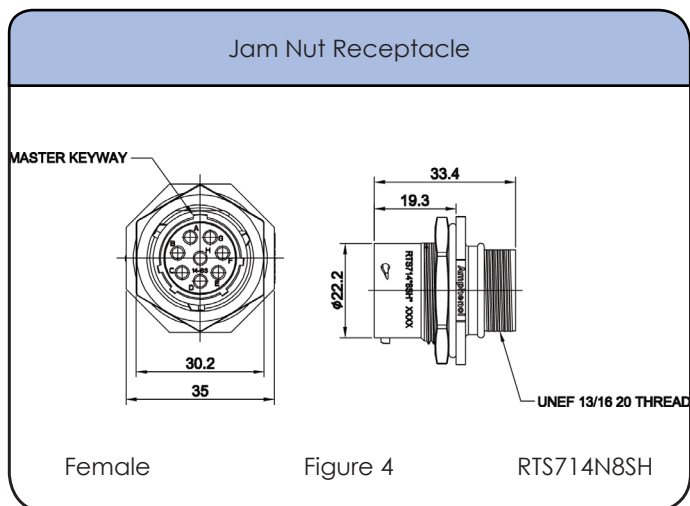
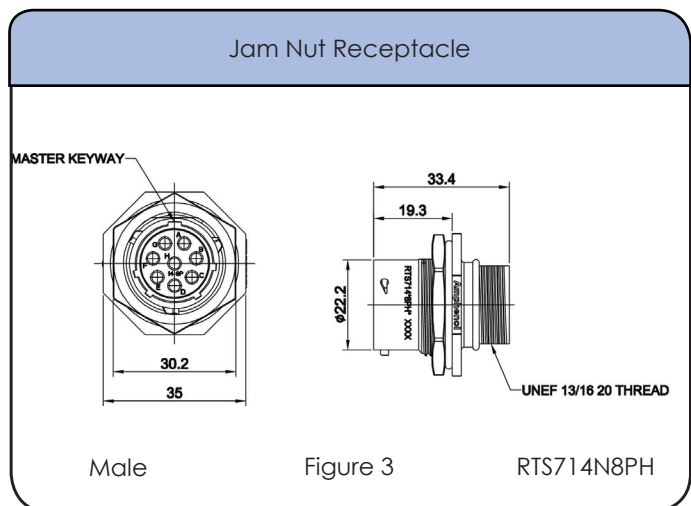
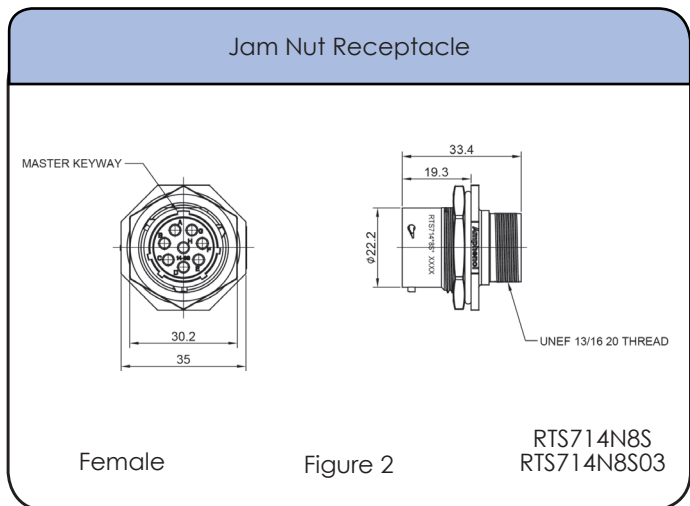
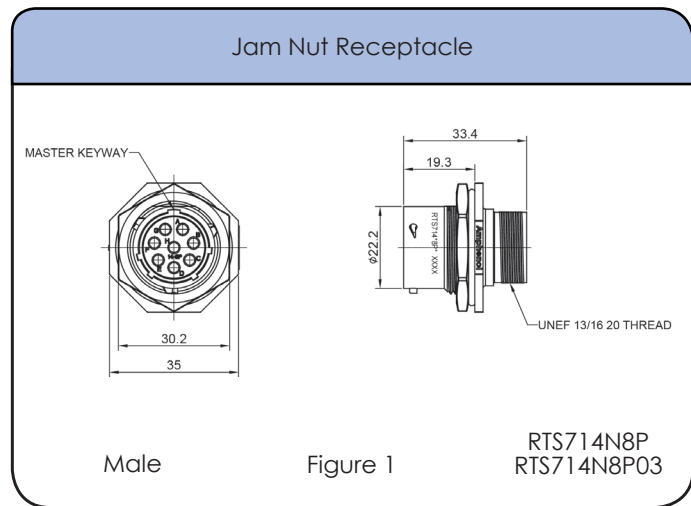
PART NO#	Description	Temperature Range	Figure Drawing
RTS6BS14N8P	Straight plug with cord grip, 8 positions, size 14, pin contact, NBR seal	-40 to 105°C	7
RTS6BS14N8P03	Straight plug with cord grip, 8 positions, size 14, pin contact, silicone rubber seal	-40 to 125°C	7
RTS6BS14N8PHEC03	Straight plug with end cap, 8 positions, size 14, pin contact, silicone rubber seal	-40 to 125°C	9
RTS6BS14N8S	Straight plug with cord grip, 8 positions, size 14, socket contact, NBR seal	-40 to 105°C	8
RTS6BS14N8S03	Straight plug with cord grip, 8 positions, size 14, socket contact, silicone rubber seal	-40 to 125°C	8
RTS6BS14N8SHEC03	Straight plug with end cap, 8 positions, size 14, socket contact, silicone rubber seal	-40 to 125°C	10

Contacts supplied separately see page 100

Shell Size: 14 Number of Contacts: 8
 Sealing: IP68 / IP69k Salt Spray: 500h

Contact Size: 16

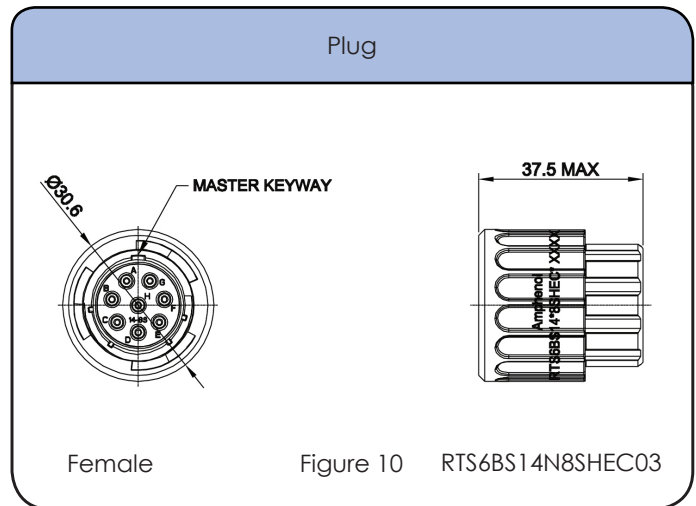
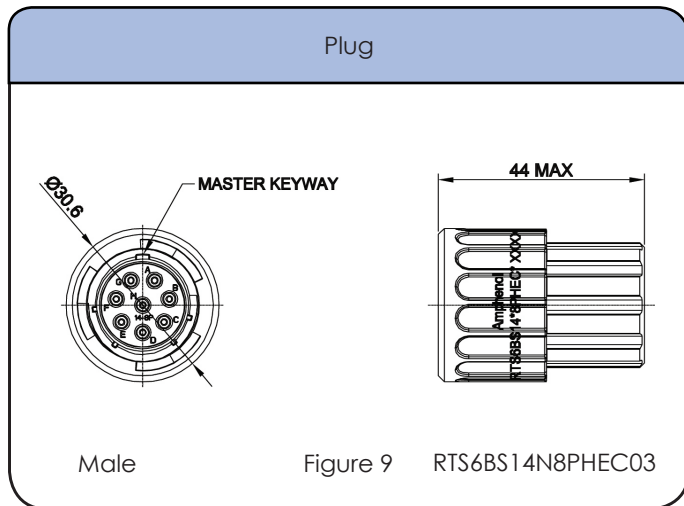
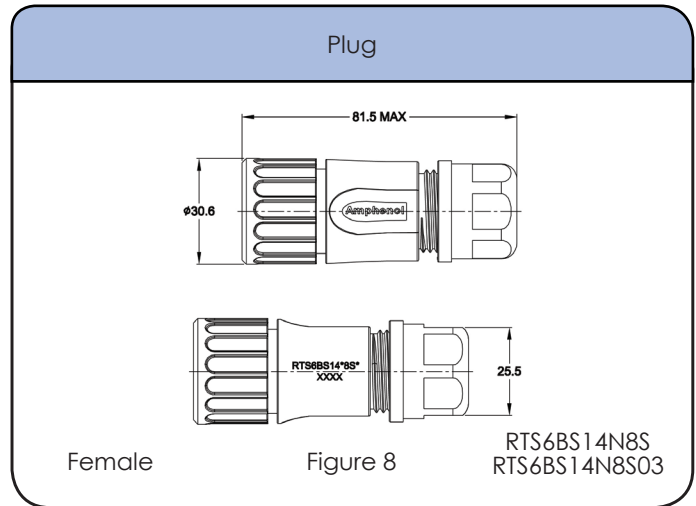
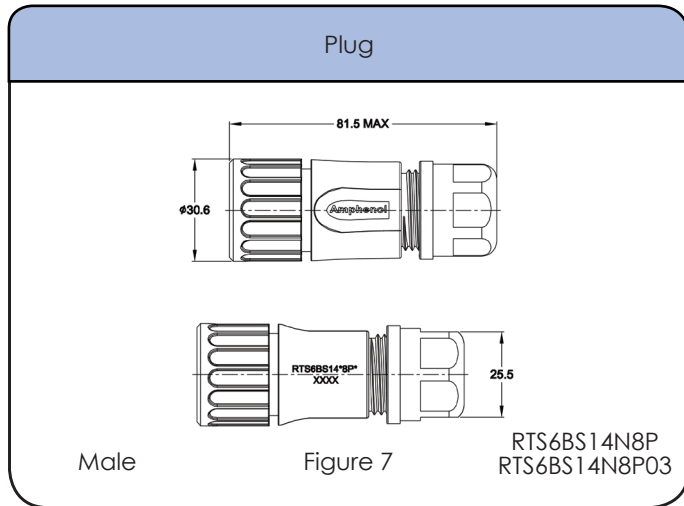
Dimensions Jam Nut Receptacles



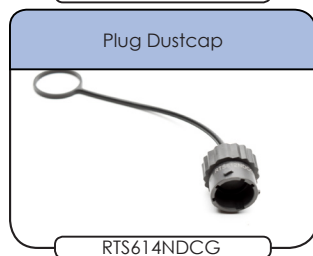
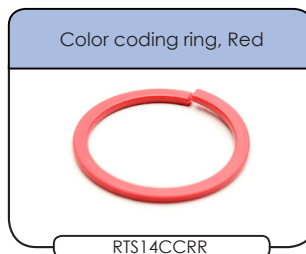
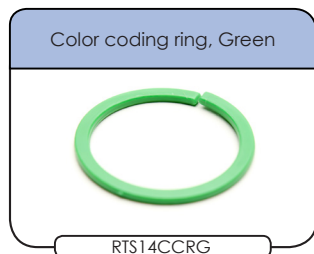
Shell Size: 14 Number of Contacts: 8
Sealing: IP68 / IP69k Salt Spray: 500h

Contact Size: 16

Dimensions Plug



Accessories



Shell Size: 14 **Number of Contacts: 8** **Contact Size: 16**
 Sealing: IP68 / IP69k Salt Spray: 500h

Contacts



Crimp Contacts, Machined

Part Number		AWG	Wire Range (mm ²)	Plating
Male	Female			
MP14M23F	MS14M23F	14	2.0-2.5	Gold Flash
MP14M23G5	MS14M23G5	14	2.0-2.5	Gold 5μ"
MP14M23G10	MS14M23G10	14	2.0-2.5	Gold 10μ"
MP14M23G15	MS14M23G15	14	2.0-2.5	Gold 15μ"
MP14M23G30	MS14M23G30	14	2.0-2.5	Gold 30μ"
MP16M23F	MS16M23F	18-16	.75-1.5	Gold Flash
MP16M23G5	MS16M23G5	18-16	.75-1.5	Gold 5μ"
MP16M23G10	MS16M23G10	18-16	.75-1.5	Gold 10μ"
MP16M23G15	MS16M23G15	18-16	.75-1.5	Gold 15μ"
MP16M23G30	MS16M23G30	18-16	.75-1.5	Gold 30μ"
MP20M23F	MS20M23F	22-20	.34-.50	Gold Flash
MP20M23G5	MS20M23G5	22-20	.34-.50	Gold 5μ"
MP20M23G10	MS20M23G10	22-20	.34-.50	Gold 10μ"
MP20M23G15	MS20M23G15	22-20	.34-.50	Gold 15μ"
MP20M23G30	MS20M23G30	22-20	.34-.50	Gold 30μ"
MP24M23F	MS24M23F	26-24	.14-.25	Gold Flash
MP24M23G5	MS24M23G5	26-24	.14-.25	Gold 5μ"
MP24M23G10	MS24M23G10	26-24	.14-.25	Gold 10μ"
MP24M23G15	MS24M23G15	26-24	.14-.25	Gold 15μ"
MP24M23G30	MS24M23G30	26-24	.14-.25	Gold 30μ"

Tools



Shell Size: 14 Number of Contacts: 8 Contact Size: 16
Sealing: IP68 / IP69k Salt Spray: 500h

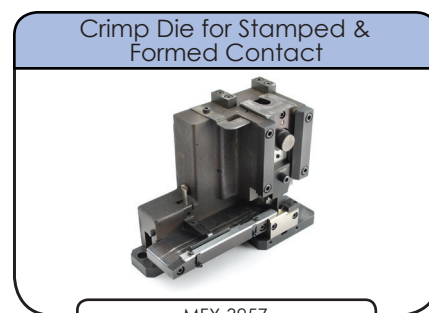
Contacts (con't)



Crimp Contacts, Stamped & Formed

Part Number		AWG	Wire Range (mm ²)	Plating
Male	Female			
SP14M1F	SS14M1F	14	2.0-2.5	Gold Flash
SP14M1G5	SS14M1G5	14	2.0-2.5	Gold 5μ"
SP14M1G10	SS14M1G10	14	2.0-2.5	Gold 10μ"
SP14M1G15	SS14M1G15	14	2.0-2.5	Gold 15μ"
SP14M1G30	SS14M1G30	14	2.0-2.5	Gold 30μ"
SP16M1F	SS16M1F	18-16	.75-1.5	Gold Flash
SP16M1G5	SS16M1G5	18-16	.75-1.5	Gold 5μ"
SP16M1G10	SS16M1G10	18-16	.75-1.5	Gold 10μ"
SP16M1G15	SS16M1G15	18-16	.75-1.5	Gold 15μ"
SP16M1G30	SS16M1G30	18-16	.75-1.5	Gold 30μ"
SP20M1F	SS20M1F	22-20	.34-.50	Gold Flash
SP20M1G5	SS20M1G5	22-20	.34-.50	Gold 5μ"
SP20M1G10	SS20M1G10	22-20	.34-.50	Gold 10μ"
SP20M1G15	SS20M1G15	22-20	.34-.50	Gold 15μ"
SP20M1G30	SS20M1G30	22-20	.34-.50	Gold 30μ"
SP24M1F	SS24M1F	22-20	.14-.25	Gold Flash
SP24M1G5	SS24M1G5	26-24	.14-.25	Gold 5μ"
SP24M1G10	SS24M1G10	26-24	.14-.25	Gold 10μ"
SP24M1G15	SS24M1G15	26-24	.14-.25	Gold 15μ"
SP24M1G30	SS24M1G30	26-24	.14-.25	Gold 30μ"

Tools



STEP 1
Choose Receptacle Style

STEP 2
Choose Plug Style

Jam Nut Receptacles



Plug



SEE TABLE ON NEXT PAGE FOR PART DETAILS

CONTACTS SOLD SEPARATELY SEE PAGE 106

Coming Soon in 2017!

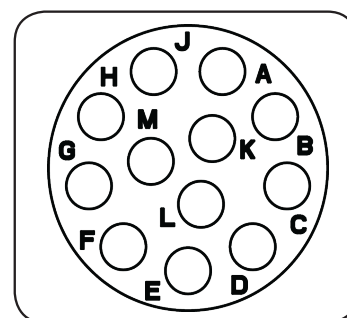
Square Flange Receptacles



Shell Size: 14 Number of Contacts: 12 Contact Size: 16
Sealing: IP68 / IP69k Salt Spray: 500h

**eco | mate® Aquarius
Standard Products**

- Waterproof Dynamic IP68/68K when in mated/unmated condition
- Suitable for Indoor/ Outdoor Applications
- Bayonet Rapid Coupling System
- 500 Mating Cycles
- Salt Spray ≥ 500 Hours
- UL ECBT2 & UL ETCBB Certified*



Insert Arrangement
Pin (Male) Faceview

Connector Part Numbers -Receptacles

PART NO#	Description	Temperature Range	Figure Drawing
RTS714N12P	Receptacle, jam nut, 12 positions, size 14, pin contact, NBR seal	-40 to 105°C	1
RTS714N12P03	Receptacle, jam nut, 12 positions, size 14, pin contact, silicone rubber seal	-40 to 125°C	1
RTS714N12PH	Receptacle, jam nut, 12 positions, size 14, pin contact, O-ring	-40 to 105°C	2
RTS714N12S	Receptacle, jam nut, 12 positions, size 14, socket contact, NBR seal	-40 to 105°C	3
RTS714N12SH	Receptacle, jam nut, 12 positions, size 14, socket contact, O-ring	-40 to 105°C	4

Connector Part Numbers -Plugs

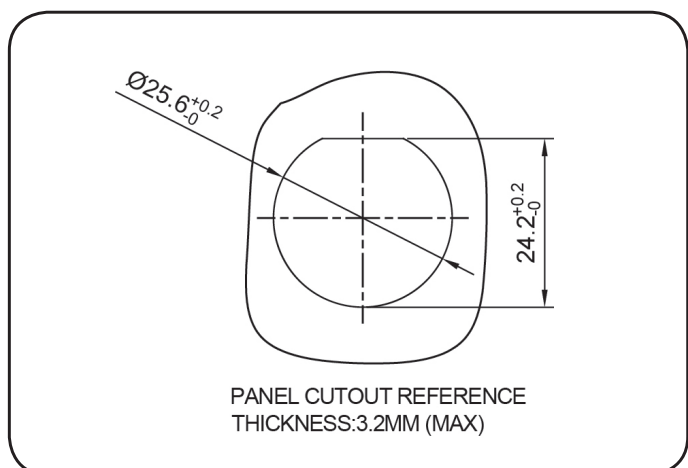
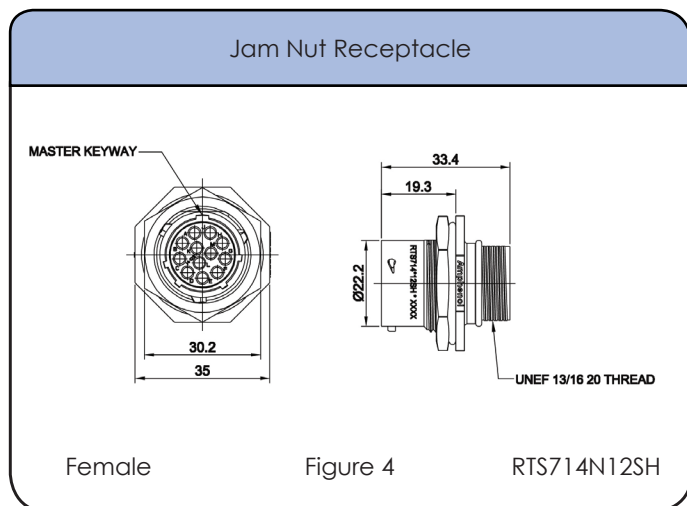
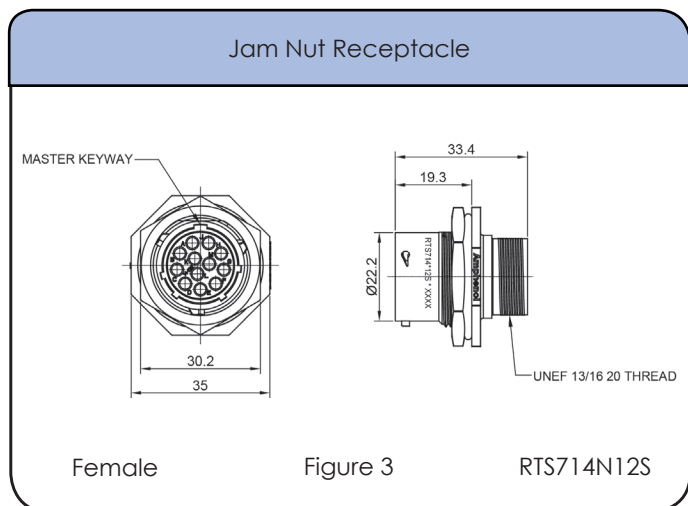
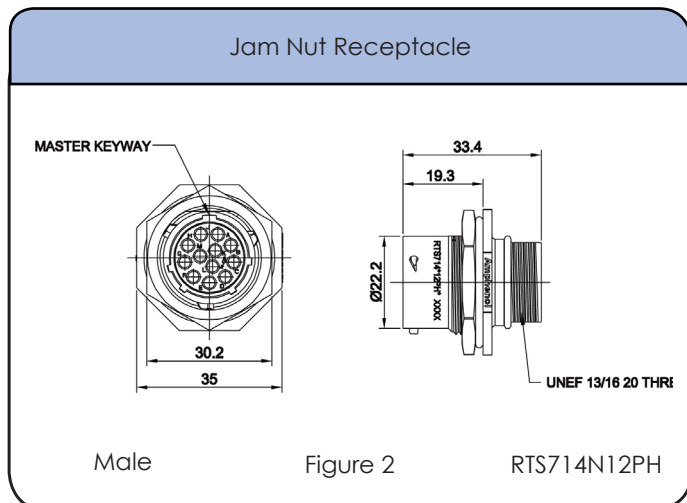
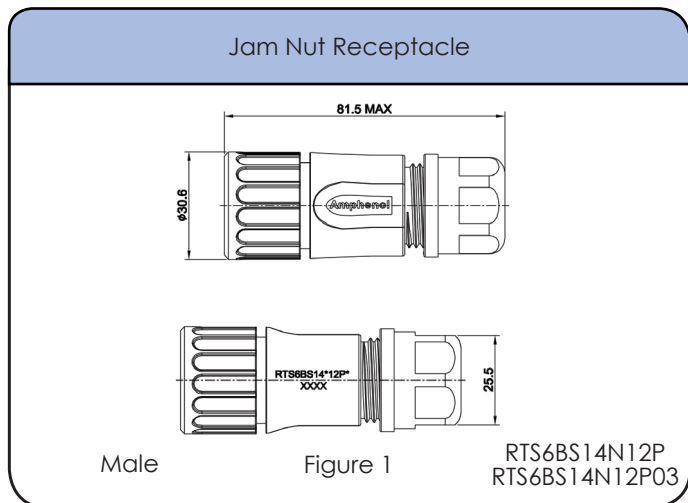
PART NO#	Description	Temperature Range	Figure Drawing
RTS6BS14N12P	Straight plug with cord grip, 12 positions, size 14, pin contact, NBR seal	-40 to 105°C	7
RTS6BS14N12P03	Straight plug with cord grip, 12 positions, size 14, pin contact, silicone rubber seal	-40 to 125°C	7
RTS6BS14N12PHEC03	Straight plug with end cap, 12 positions, size 14, pin contact, endcap, silicone rubber seal	-40 to 125°C	9
RTS6BS14N12S	Straight plug with cord grip, 12 positions, size 14, socket contact, NBR seal	-40 to 105°C	8
RTS6BS14N12S03	Straight plug with cord grip, 12 positions, size 14, socket contact, silicone rubber seal	-40 to 125°C	8
RTS6BS14N12SHEC03	Straight plug with end cap, 12 positions, size 14, socket contact, endcap, silicone rubber seal	-40 to 125°C	10

Contacts supplied separately see page 106

Shell Size: 14 Number of Contacts: 12
 Sealing: IP68 / IP69k Salt Spray: 500h

Contact Size: 16

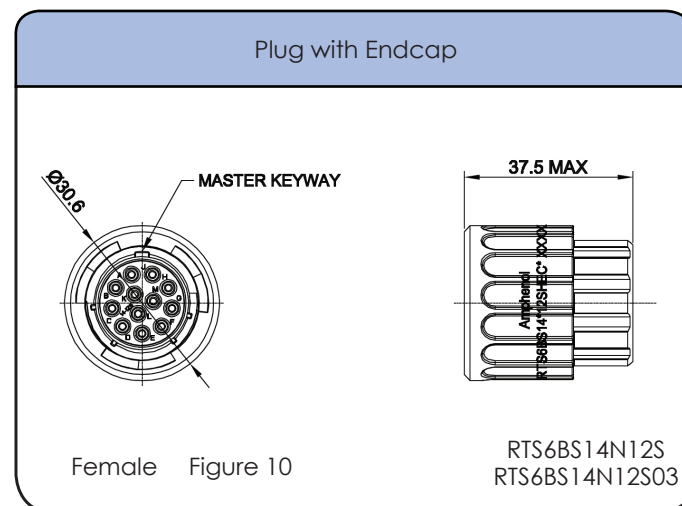
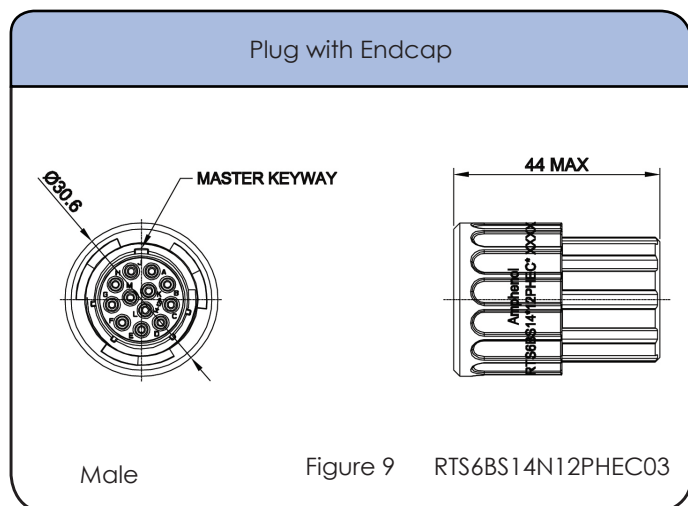
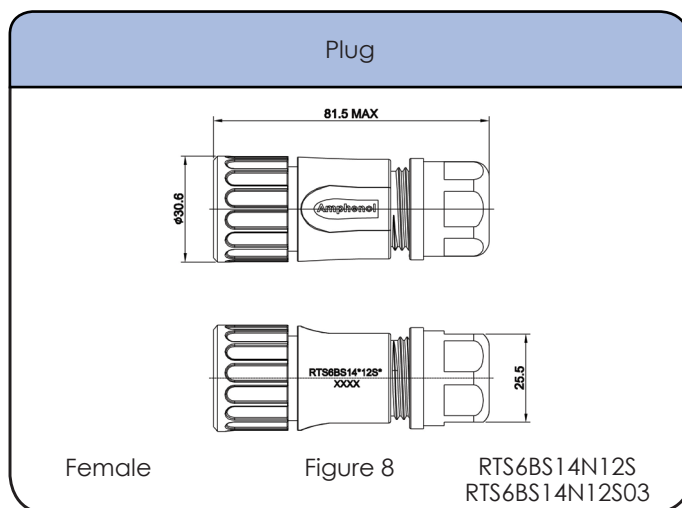
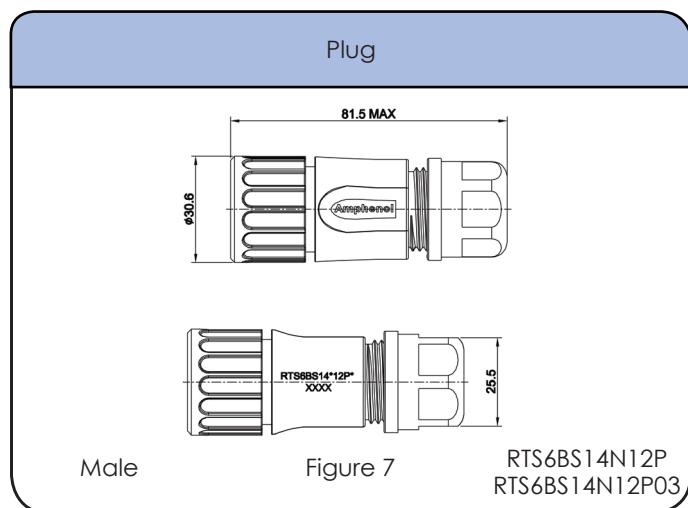
Dimensions Jam Nut Receptacle



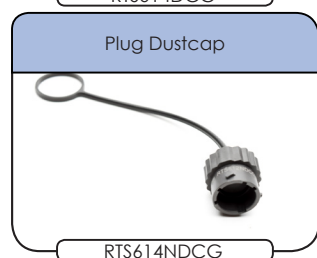
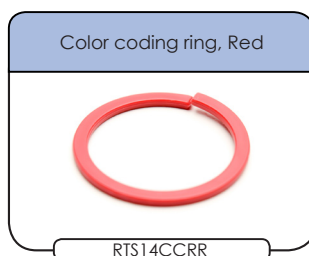
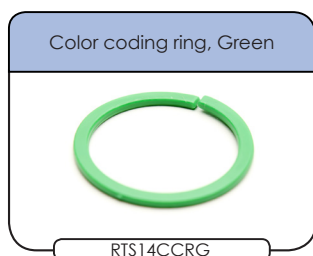
Shell Size: 14 Number of Contacts: 12
Sealing: IP68 / IP69k Salt Spray: 500h

Contact Size: 16

Dimensions Plugs



Accessories



Shell Size: 14 Number of Contacts: 12 Contact Size: 16
 Sealing: IP68 / IP69k Salt Spray: 500h

Contacts



Crimp Contacts, Machined

Part Number		AWG	Wire Range (mm ²)	Plating
Male	Female			
MP14M23F	MS14M23F	14	2.0-2.5	Gold Flash
MP14M23G5	MS14M23G5	14	2.0-2.5	Gold 5μ"
MP14M23G10	MS14M23G10	14	2.0-2.5	Gold 10μ"
MP14M23G15	MS14M23G15	14	2.0-2.5	Gold 15μ"
MP14M23G30	MS14M23G30	14	2.0-2.5	Gold 30μ"
MP16M23F	MS16M23F	18-16	.75-1.5	Gold Flash
MP16M23G5	MS16M23G5	18-16	.75-1.5	Gold 5μ"
MP16M23G10	MS16M23G10	18-16	.75-1.5	Gold 10μ"
MP16M23G15	MS16M23G15	18-16	.75-1.5	Gold 15μ"
MP16M23G30	MS16M23G30	18-16	.75-1.5	Gold 30μ"
MP20M23F	MS20M23F	22-20	.34-.50	Gold Flash
MP20M23G5	MS20M23G5	22-20	.34-.50	Gold 5μ"
MP20M23G10	MS20M23G10	22-20	.34-.50	Gold 10μ"
MP20M23G15	MS20M23G15	22-20	.34-.50	Gold 15μ"
MP20M23G30	MS20M23G30	22-20	.34-.50	Gold 30μ"
MP24M23F	MS24M23F	26-24	.14-.25	Gold Flash
MP24M23G5	MS24M23G5	26-24	.14-.25	Gold 5μ"
MP24M23G10	MS24M23G10	26-24	.14-.25	Gold 10μ"
MP24M23G15	MS24M23G15	26-24	.14-.25	Gold 15μ"
MP24M23G30	MS24M23G30	26-24	.14-.25	Gold 30μ"

Tools



Shell Size: 14 Number of Contacts: 12 Contact Size: 16
Sealing: IP68 / IP69k Salt Spray: 500h

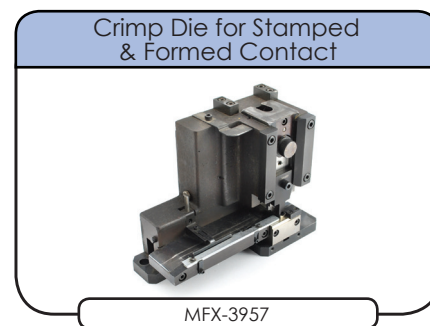
Contacts (con't)



Crimp Contacts, Stamped & Formed

Part Number		AWG	Wire Range (mm ²)	Plating
Male	Female			
SP14M1F	SS14M1F	14	2.0-2.5	Gold Flash
SP14M1G5	SS14M1G5	14	2.0-2.5	Gold 5μ"
SP14M1G10	SS14M1G10	14	2.0-2.5	Gold 10μ"
SP14M1G15	SS14M1G15	14	2.0-2.5	Gold 15μ"
SP14M1G30	SS14M1G30	14	2.0-2.5	Gold 30μ"
SP16M1F	SS16M1F	18-16	.75-1.5	Gold Flash
SP16M1G5	SS16M1G5	18-16	.75-1.5	Gold 5μ"
SP16M1G10	SS16M1G10	18-16	.75-1.5	Gold 10μ"
SP16M1G15	SS16M1G15	18-16	.75-1.5	Gold 15μ"
SP16M1G30	SS16M1G30	18-16	.75-1.5	Gold 30μ"
SP20M1F	SS20M1F	22-20	.34-.50	Gold Flash
SP20M1G5	SS20M1G5	22-20	.34-.50	Gold 5μ"
SP20M1G10	SS20M1G10	22-20	.34-.50	Gold 10μ"
SP20M1G15	SS20M1G15	22-20	.34-.50	Gold 15μ"
SP20M1G30	SS20M1G30	22-20	.34-.50	Gold 30μ"
SP24M1F	SS24M1F	22-20	.14-.25	Gold Flash
SP24M1G5	SS24M1G5	26-24	.14-.25	Gold 5μ"
SP24M1G10	SS24M1G10	26-24	.14-.25	Gold 10μ"
SP24M1G15	SS24M1G15	26-24	.14-.25	Gold 15μ"
SP24M1G30	SS24M1G30	26-24	.14-.25	Gold 30μ"

Tools



STEP 1
Choose Receptacle Style

STEP 2
Choose Plug Style

Jam Nut Receptacles



Plug



SEE TABLE ON NEXT PAGE FOR PART DETAILS

CONTACTS SOLD SEPARATELY SEE PAGE 112

Coming Soon in 2017!

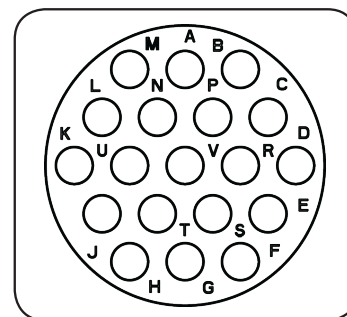
Square Flange Receptacles



Shell Size: 14 Number of Contacts: 19 Contact Size: 20
Sealing: IP68 / IP69k Salt Spray: 500h

eco | mate® Aquarius
Standard Products

- Waterproof Dynamic IP68/68K when in mated/unmated condition
- Suitable for Indoor/ Outdoor Applications
- Bayonet Rapid Coupling System
- 500 Mating Cycles
- Salt Spray ≥ 500 Hours
- UL ECBT2 & UL ETCBB Certified*



Insert Arrangement
Pin (Male) Faceview

Connector Part Numbers - Receptacles

PART NO#	Description	Temperature Range	Figure Drawing
RTS714N19P	Receptacle, jam nut, 19 positions, size 14, pin contact, NBR seal	-40 to 105°C	1
RTS714N19P03	Receptacle, jam nut, 19 positions, size 14, pin contact, silicone rubber seal	-40 to 125°C	1
RTS714N19PH	Receptacle, jam nut, 19 positions, size 14, pin contact, NBR seal	-40 to 105°C	3
RTS714N19S	Receptacle, jam nut, 19 positions, size 14, socket contact, NBR seal	-40 to 105°C	2
RTS714N19S03	Receptacle, jam nut, 19 positions, size 14, for socket contact, silicone rubber seal	-40 to 125°C	2
RTS714N19SH	Receptacle, jam nut, 19 positions, size 14, socket contact, NBR seal	-40 to 105°C	4

Connector Part Numbers - Plugs

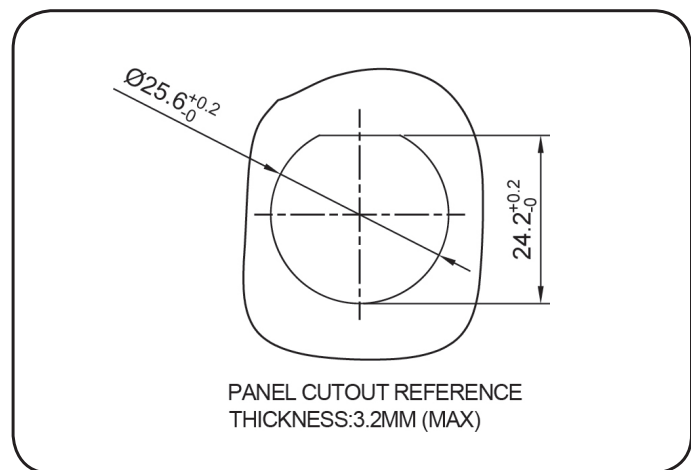
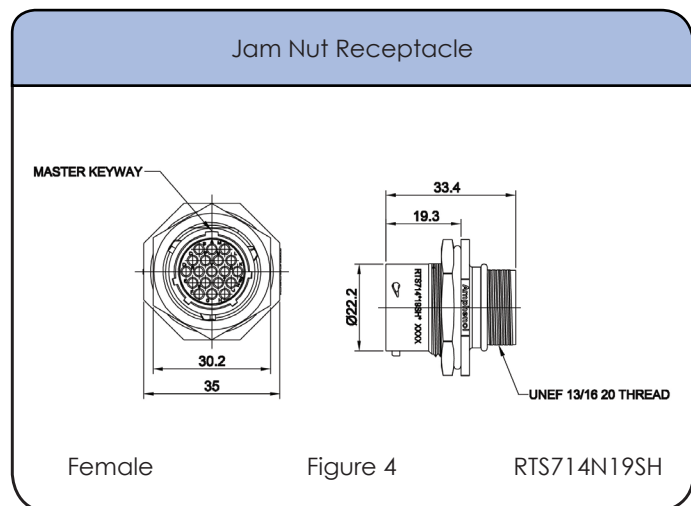
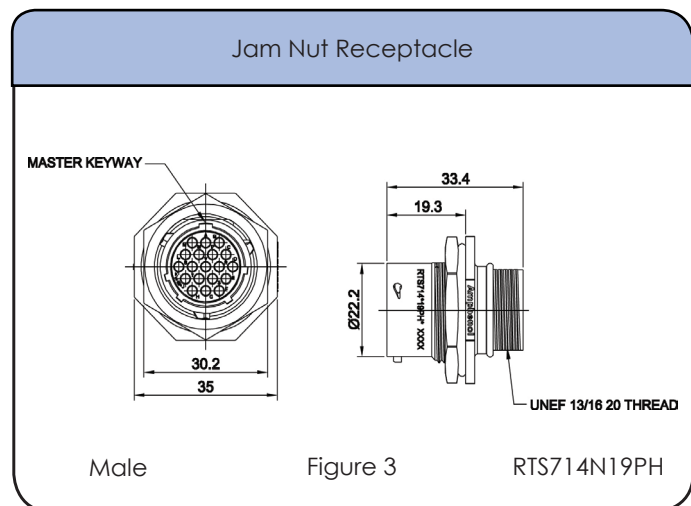
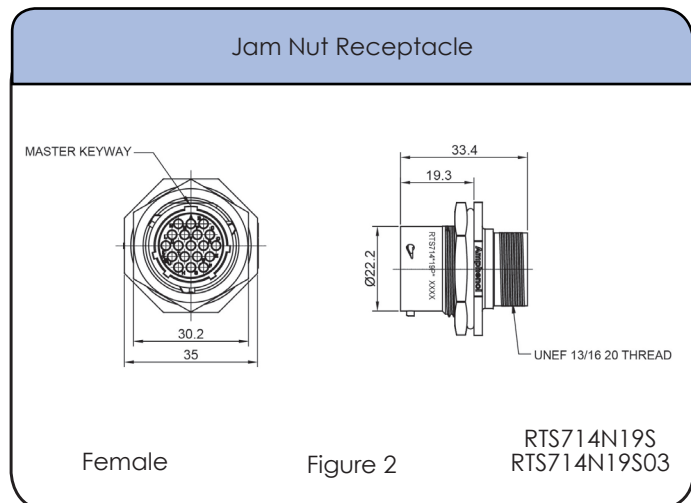
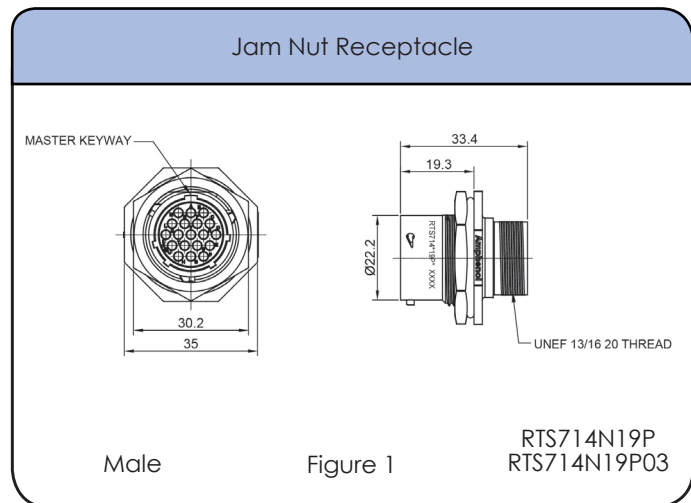
PART NO#	Description	Temperature Range	Figure Drawing
RTS6BS14N19P	Straight plug with cord grip, 19 positions, size 14, pin contact, NBR seal	-40 to 105°C	7
RTS6BS14N19P03	Straight plug with cord grip, 19 positions, size 14, pin contact, silicone rubber seal	-40 to 125°C	7
RTS6BS14N19PHEC03	Straight plug with end cap, 19 positions, size 14, pin contact, silicone rubber seal	-40 to 125°C	9
RTS6BS14N19S	Straight plug with cord grip, 19 positions, size 14, socket contact, NBR seal	-40 to 105°C	8
RTS6BS14N19S03	Straight plug with cord grip, 19 positions, size 14, socket contact, silicone rubber seal	-40 to 125°C	8
RTS6BS14N19SHEC03	Straight plug with end cap, 19 positions, size 14, socket contact, silicone rubber seal	-40 to 125°C	10

Contacts supplied separately see page 112

Shell Size: 14 Number of Contacts: 19
 Sealing: IP68 / IP69k Salt Spray: 500h

Contact Size: 20

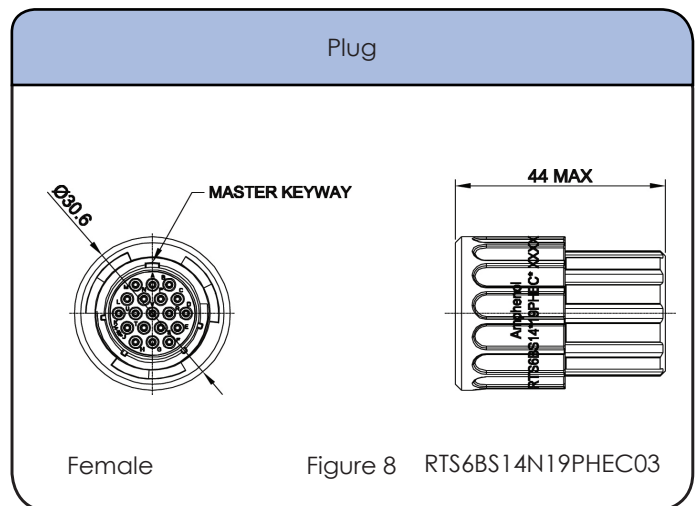
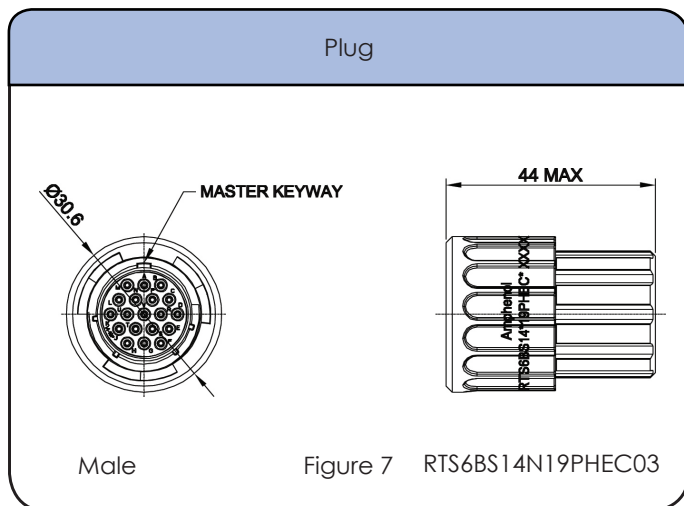
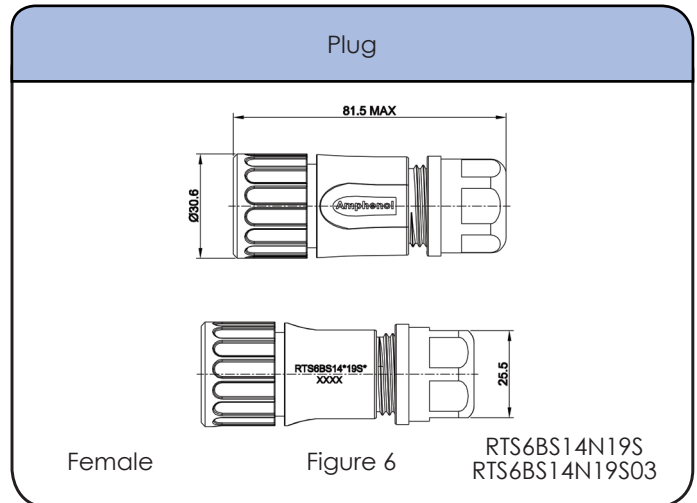
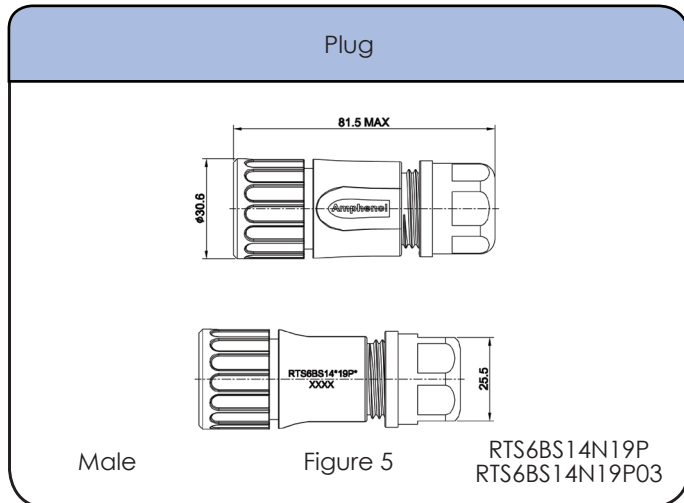
Dimensions Jam Nut Receptacles



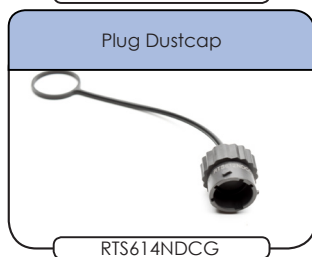
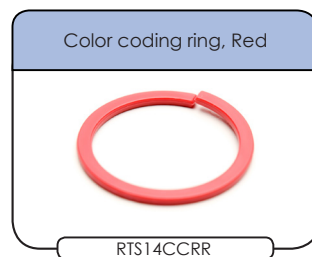
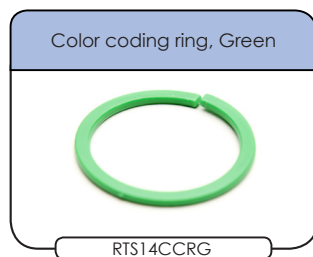
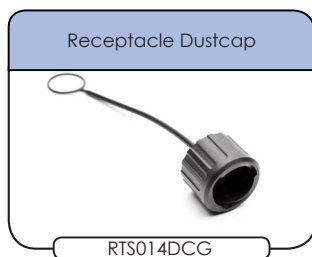
Shell Size: 14 Number of Contacts: 19
 Sealing: IP68 / IP69k Salt Spray: 500h

Contact Size: 20

Dimensions Plugs



Accessories



Shell Size: 14 Number of Contacts: 19 Contact Size: 20
 Sealing: IP68 / IP69k Salt Spray: 500h

Contacts



Crimp Contacts, Machined

Part Number		AWG	Wire Rangeset (mm ²)	Plating
Male	Female			
MP20W23F	MS20W23F	22-20	.34-.50	Gold Flash
MP20W23G5	MS20W23G5	22-20	.34-.50	Gold 5μ"
MP20W23G10	MS20W23G10	22-20	.34-.50	Gold 10μ"
MP20W23G15	MS20W23G15	22-20	.34-.50	Gold 15μ"
MP20W23G30	MS20W23G30	22-20	.34-.50	Gold 30μ"
MP28W23F	MS28W23F	30-28	.05-.08	Gold Flash
MP28W23G5	MS28W23G5	30-28	.05-.08	Gold 5μ"
MP28W23G10	MS28W23G10	30-28	.05-.08	Gold 10μ"
MP28W23G15	MS28W23G15	30-28	.05-.08	Gold 15μ"
MP28W23G30	MS28W23G30	30-28	.05-.08	Gold 30μ"

Tools



Shell Size: 14 Number of Contacts: 19 Contact Size: 20
Sealing: IP68 / IP69k Salt Spray: 500h

Contacts (con't)



Crimp Contacts, Stamped & Formed

Part Number		AWG	Wire Range (mm ²)	Plating
Male	Female			
SP20W1F	SS20W1F	22-20	.34-.50	Gold Flash
SP20W1G5	SS20W1G5	22-20	.34-.50	Gold 5μ"
SP20W1G10	SS20W1G10	22-20	.34-.50	Gold 10μ"
SP20W1G15	SS20W1G15	22-20	.34-.50	Gold 15μ"
SP20W1G30	SS20W1G30	22-20	.34-.50	Gold 30μ"
SP24W1F	SS24W1F	26-24	.14-.25	Gold Flash
SP24W1G5	SS24W1G5	26-24	.14-.25	Gold 5μ"
SP24W1G10	SS24W1G10	26-24	.14-.25	Gold 10μ"
SP24W1G15	SS24W1G15	26-24	.14-.25	Gold 15μ"
SP24W1G30	SS24W1G30	26-24	.14-.25	Gold 30μ"
SP28W1F	SS28W1F	30-28	.05-.08	Gold Flash
SP28W1G5	SS28W1G5	30-28	.05-.08	Gold 5μ"
SP28W1G10	SS28W1G10	30-28	.05-.08	Gold 10μ"
SP28W1G15	SS28W1G15	30-28	.05-.08	Gold 15μ"
SP28W1G30	SS28W1G30	30-28	.05-.08	Gold 30μ"

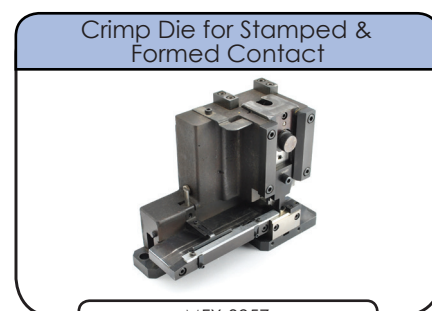
Tools



QXR120



MFX-3958



MFX-3957

Appendix

Glossary of Terms

American Wire Gauge (AWG)	Connector life
<p>System of numerical designations for wire sizes, based on specified ranges of cross-sectional areas. Starts with 4/0 (000) at the largest size, going to 3/0, 2/0, 1/0, 1, 2, and up to 40 and beyond for the smallest size. A step of one AWG number corresponds to a reduction of cross-sectional area of appr. 20 %.</p>	<p>The number of mating cycles prior to abrasion of the conductive contact surface and which does not result in a significant rise of the contact resistance. Tests according to test 9a of ICE 60512-5 / DIN EN 60512 Part 5.</p>
Attenuation	Contact
<p>A reduction of power. Occurs naturally when waves travel through lines, wave guides, or media such as air or water. Is produced additionally by imperfections in electrical or optical connections (attenuation in fibre optics), e. g. contact resistance, mismatch, etc.</p>	<p>The conductive element in a connector which mates with a corresponding element to provide an electrical path.</p>
Bulkhead connector	Contact resistance
<p>Connector designed to be inserted into a panel cutout from the rear of the panel, thus forming part of the barrier between two spaces. Back-mounted.</p>	<p>The electrical resistance of a mated set of contacts under specified conditions. Tested according to tests 2a, 2b, 2c, of IEC 60 512 -2/ DIN EN 60 512-2.</p>
Clearance	Contact size
<p>The shortest distance in air between two conductive parts, see IEC 60664.</p>	<p>The designation used to differentiate one contact from another. It may be denoted by one of the following numbering systems:</p>
Climatic stability	Creepage distance
<p>General term describing the behavior of components under various climatic conditions, e. g. high and low temperatures, tropical climate, high humidity, moist heat, fungus, atmospheric conditions (industrial atmosphere), reduced air pressure, etc. Climatic conditions for test purposes are explained in IEC 60068, DIN 46 040.</p>	<p>The shortest distance along the surface of the insulating material between two conductive parts. The longer the distance, the less the risk of arc damage or tracking. Minimum creepage distances are specified according to the rated voltage and the applicable pollution degree and Comparative Tracking Index.</p>
Connector	Crimped connection
<p>A component which terminates conductors for the purpose of providing connection and disconnection to a suitable mating component which shall not be engaged or disengaged when live. Depending on the fastening to a cabinet, panel, rack etc. or a cable, they are classified as fixed or free connectors. A connector comprises one or more contacts and a housing which may have a separate connector insert and a separate outer housing or shell.</p>	<p>A solderless connection made by crimping. IEC 60352-2 / DIN IEC 60352 Part 2.</p>
Connector housing	Derating curve
<p>The part of a connector into which the insert and the contacts are assembled. It may function as part of the locking mechanism.</p>	<p>The method for determining derating is specified in IEC 60 512-3. Here the combination of ambient temperature (Tu) and the current (J) leading to the same maximum allowable temperature (Tb) at the hottest point of the connector are plotted.</p>
Connector insert	DIN
<p>An insulating element designed to support and position contacts in a connector housing. In connectors electromagnetic interference is prevented by shielding. Shielded connectors normally provide means to connect the screens of attached cables.</p>	<p>Deutsches Institut für Normung. A German standards organization.</p>
	Electromagnetic interference (EMI)
	<p>General term describing the undesirable effects of the immission or emission of radio frequency fields.</p>
	Funnel entry (restricted entry C146 D series)
	<p>Flared or widened entrance to a conductor barrel permitting easier insertion of the conductor.</p>
	Insertion or withdrawal force
	<p>The force required to fully insert or withdraw a set of mated connectors without the effect of coupling, locking or similar devices. The insertion force is usually greater than the withdrawal force.</p>

Appendix

Connector Glossary

Insulation grip	The area of a crimp contact that has been reshaped around the insulation of the conductor by compression during the crimping operation.
Insulation resistance	The resistance of the insulation between two conductive elements, in particular, the resistance between two contacts or between a contact and a metallic housing or shield. Tested according to test 3a of IEC 60512-2 / DIN IEC 60512 Part 2.
Intermateable	Two connectors are intermateable when they are capable of being connected electrically and mechanically but without regard to their performance and intermountability.
Locator	In a crimping tool the device used for positioning a crimp contact or terminal end.
Locking lever	A mechanical locking device operated by actuating a lever, designed to hold two mated connectors together. Typically the lever can only be fully locked if the two connectors are correctly mated.
Mating cycle	One mating cycle comprises one insertion and one withdrawal operation. Term used in the definition of connector life.
Material group	Classification of insulation materials according to their CTI values (CTI = Comparative Tracking Index)
Overvoltage category	A numeral defining a transient overvoltage condition. Overvoltage categories I, II, III and IV are used.
Connector with braking capacity (CBC)	A component which may be engaged or disengaged in normal use, when live or under load. Note: In the sense of this document the term - live- is used if contacts are under voltage not necessarily with a current flowing across the contacts. The term - load - is used if a current is flowing across the contacts.
Rated current	A current value assigned by the manufacturer which the connector or PSD can carry continuously (without interruption) and simultaneously through all its contacts wired with the largest conductor preferably at an ambient temperature of 40 °C without the upper temperature being exceeded.
Shield, shielding	Shielding of internal or external electric fields by means of a plane with a uniform electric potential, formed by metal shells or metallic layers on the inside or outside of plastic shells. The shield is normally connected to the shielding braid of the cable and/or chassis ground.
Terminal block	An assembly of terminals in a housing or body of insulating material to facilitate interconnection between multiple conductors. Also called terminal strip or barrier blocks if the terminals are separated by an insulation barrier.
Wire range	The range of wire cross sections which is compatible with the dimensions the terminals of the contact (wire barrel). The wire range is expressed in mm ² or in AWG numbers.

Appendix

Part Number Index

MFX-3954.....25,33,39,51, 57,69,87, 95,101,107	MP20M23G10.....24,31,38, 50,56,68,86, 94,100,106	MS14M23G15.....24,31,38, 50,56,68,86, 94,100,106	MS24M23G15.....24,31,38, 50,56,68,86, 94,100,106
MFX-3957.....25,33,39, 51,57,69, 87,95,101, 107,112,113	MP20M23G15.....24,31,38, 50,56,68,86, 94,100,106	MS14M23G30.....24,31,38, 50,56,68,86, 94,100,106	MS24M23G30.....24,31,38, 50,56,68,86, 94,100,106
MFX-3958.....45,63,75,113	MP20M23G30.....24,31,38, 50,56,68,86, 94,100,106	MS16M23F.....24,31,38, 50,56,68,86, 94,100,106	MS28W23F.....15,19,32, 44,62,74,112
MFX-3959.....15,19,24,32, 38,44,50,56,62, 68,74,86,94, 100,106,112	MP20W23F.....15,19,32,44, 62,74,112	MS16M23G5.....24,31,38, 50,56,68,86, 94,100,106	MS28W23G5.....15,19,32, 44,62,74,112
MFX-3960.....15,19,24,32, 38,44,50,56, 62,68,74,86, 94,100,106	MP20W23G5.....15,19,32, 44,62,74,112	MS16M23G10.....24,31,38, 50,56,68,86, 94,100,106	MS28W23G10.....15,19,32, 44,62,74,112
MFX-3962.....63,81,87	MP20W23G10.....15,19,32, 44,62,74,112	MS16M23G15.....24,31,38, 50,56,68,86, 94,100,106	MS28W23G15.....15,19,32, 44,62,74,112
MP14M23F.....24,31,38, 50,56,68,86, 94,100,106	MP20W23G15.....115,19,32, 44,62,74,112	MS16M23G30.....24,31,38, 50,56,68,86, 94,100,106	MS28W23G30.....15,19,32, 44,62,74,112
MP14M23G5.....24,31,38, 50,56,68,86, 94,100,106	MP20W23G30.....15,19,32, 44,62,74,112	MS20M23F.....24,31,38, 50,56,68,86, 94,100,106	QXRT12S.....63,81,87
MP14M23G10.....24,31,38, 50,56,68,86, 94,100,106	MP24M23F.....24,31,38, 50,56,68,86, 94,100,106	MS20M23G5.....24,31,38, 50,56,68,86, 94,100,106	QXRT16.....24,25,32,33, 38,39,50,51, 56,57,68,69, 86,87,94,95, 100,101,106,107
MP14M23G15.....24,31,38, 50,56,68,86, 94,100,106	MP24M23G5.....24,31,38, 50,56,68,86, 94,100,106	MS20M23G10.....24,31,38, 50,56,68,86, 94,100,106	QXRT20.....15,19,32, 44,45,62,63, 74,75,112,113
MP14M23G30.....24,31,38, 50,56,68,86, 94,100,106	MP24M23G10.....24,31,38, 50,56,68,86, 94,100,106	MS20M23G15.....24,31,38, 50,56,68,86, 94,100,106	RTS6BS8N3P.....13
MP16M23F.....24,31,38, 50,56,68,86, 94,100,106	MP24M23G15.....24,31,38, 50,56,68,86, 94,100,106	MS20M23G30.....24,31,38, 50,56,68,86, 94,100,106	RTS6BS8N3S.....13
MP16M23G5.....24,31,38, 50,56,68,86, 94,100,106	MP24M23G30.....24,31,38, 50,56,68,86, 94,100,106	MS20W23F.....15,19,32, 44,62,74,112	RTS6BS8N4P.....17
MP16M23G10.....24,31,38, 50,56,68,86, 94,100,106	MP28W23F.....15,19,32,44, 62,74,112	MS20W23G5.....15,19,32, 44,62,74,112	RTS6BS8N4S.....17
MP16M23G15.....24,31,38, 50,56,68,86, 94,100,106	MP28W23G5.....15,19,32,44, 62,74,112	MS20W23G10.....15,19,32, 44,62,74,112	RTS6BS10N2P.....27
MP16M23G30.....24,31,38, 50,56,68,86, 94,100,106	MP28W23G10.....15,19,32, 44,62,74,112	MS20W23G15.....15,19,32, 44,62,74,112	RTS6BS10N2P03.....27
MP16M23G5.....24,31,38, 50,56,68,86, 94,100,106	MP28W23G15.....15,19,32, 44,62,74,112	MS20W23G30.....15,19,32, 44,62,74,112	RTS6BS10N2PHEC03.....27
MP16M23G30.....24,31,38, 50,56,68,86, 94,100,106	MP28W23G30.....15,19,32, 44,62,74,112	MS24M23F.....24,31,38, 50,56,68,86, 94,100,106	RTS6BS10N2S.....27
MP20M23F.....24,31,38, 50,56,68,86, 94,100,106	MS14M23F.....24,31,38, 50,56,68,86, 94,100,106	MS24M23G5.....24,31,38, 50,56,68,86, 94,100,106	RTS6BS10N2S03.....27
MP20M23G5.....24,31,38, 50,56,68,86, 94,100,106	MS14M23G5.....24,31,38, 50,56,68,86, 94,100,106	MS24M23G10.....24,31,38, 50,56,68,86, 94,100,106	RTS6BS10N2SHEC03.....27
	MS14M23G10.....24,31,38, 50,56,68,86, 94,100,106		RTS6BS10N3P.....21
			RTS6BS10N3P03.....21
			RTS6BS10N3S.....21
			RTS6BS10N3S03.....21
			RTS6BS10N4P.....35
			RTS6BS10N4P03.....35
			RTS6BS10N4PHEC03.....35
			RTS6BS10N4S.....35
			RTS6BS10N4S03.....35
			RTS6BS10N4SHEC03.....35
			RTS6BS10N6P.....41
			RTS6BS10N6P03.....41
			RTS6BS10N6PHEC03.....41
			RTS6BS10N6S.....41
			RTS6BS10N6S03.....41
			RTS6BS10N6SHEC03.....41
			RTS610NDCG.....23,30,37, 43,49,55,61, 67,73,80,88, 93,99,105,111

Appendix

Part Number Index

RTS6BS12N2P.....	59	RTS6BS14N12P03.....	104	RTS710N6S.....	41	RTS714N19P.....	109
RTS6BS12N2P03.....	59	RTS6BS14N12P03.....	105	RTS710N6S03.....	41	RTS714N19P03.....	109
RTS6BS12N2PHEC03.....	59	RTS6BS14N12S.....	103	RTS712N2P.....	59	RTS714N19PH.....	109
RTS6BS12N2S.....	59	RTS6BS14N12S03.....	103	RTS712N2P03.....	59	RTS714N19S.....	109
RTS6BS12N2S03.....	59	RTS6BS14N12SHEC03.....	103	RTS712N2S.....	59	RTS714N19S03.....	109
RTS6BS12N2SHEC03.....	59	RTS6BS14N12SHEC03.....	105	RTS712N2S03.....	59	RTS714N19SH.....	109
RTS6BS12N3P.....	47	RTS6BS14N12S03.....	105	RTS712N3P.....	47	SP12A1T.....	63,81,87
RTS6BS12N3P03.....	47	RTS6BS14N19P.....	109	RTS712N3P03.....	47	SP14M1F.....	25,33,39, 51,57,69,87, 95,101,107
RTS6BS12N3PHEC03.....	47	RTS6BS14N19P03.....	109	RTS712N3S.....	47	SP14M1G5.....	25,33,39, 51,57,69,87, 95,101,107
RTS6BS12N3S.....	47	RTS6BS14N19PHEC03.....	109	RTS712N3S03.....	47	SP14M1G10.....	25,33,39, 51,57,69,87, 95,101,107
RTS6BS12N3S03.....	47	RTS6BS14N19S.....	109	RTS712N4P.....	53	SP14M1G15.....	25,33,39, 51,57,69,87, 95,101,107
RTS6BS12N3SHEC03.....	47	RTS6BS14N19S03.....	109	RTS712N4P03.....	53	SP14M1G30.....	25,33,39, 51,57,69,87, 95,101,107
RTS6BS12N4P.....	53	RTS6BS14N19SHEC03.....	109	RTS712N4S.....	53	SP16M1F.....	25,33,39, 51,57,69,87, 95,101,107
RTS6BS12N4P03.....	53	RTS8CCRG.....	15,19	RTS712N4S03.....	53	SP16M1G5.....	25,33,39, 51,57,69,87, 95,101,107
RTS6BS12N4S.....	53	RTS8CCRR.....	15,19	RTS712N8P.....	65	SP16M1G10.....	25,33,39, 51,57,69,87, 95,101,107
RTS6BS12N4S03.....	53	RTS8CCRY.....	15,19	RTS712N8P03.....	65	SP16M1G15.....	25,33,39, 51,57,69,87, 95,101,107
RTS6BS12N8P.....	65	RTS10CCRG.....	23,30,37,43	RTS712N8S.....	65	SP16M1G30.....	25,33,39, 51,57,69,87, 95,101,107
RTS6BS12N8P03.....	65	RTS10CCRR.....	23,30,37,43	RTS712N8S03.....	65	SP16M1G5.....	25,33,39, 51,57,69,87, 95,101,107
RTS6BS12N8PHEC03.....	65	RTS10CCRY.....	23,30,37,43	RTS712N10P.....	71	SP16M1G10.....	25,33,39, 51,57,69,87, 95,101,107
RTS6BS12N8S.....	65	RTS010DCG.....	23,30,37,43	RTS712N10P03.....	71	SP16M1G15.....	25,33,39, 51,57,69,87, 95,101,107
RTS6BS12N8S03.....	65	RTS12CCRG.....	49,55,61, 67,73	RTS712N10S.....	71	SP16M1G30.....	25,33,39, 51,57,69,87, 95,101,107
RTS6BS12N8SHEC03.....	65	RTS12CCRR.....	49,55,61, 67,73	RTS712N10S03.....	71	SP16M1F.....	25,33,39, 51,57,69,87, 95,101,107
RTS6BS12N10P.....	71	RTS12CCRY.....	49,55,61, 67,73	RTS714N2P.....	83	SP16M1G5.....	25,33,39, 51,57,69,87, 95,101,107
RTS6BS12N10P03.....	71	RTS012DCG.....	49,49,55,61, 67,73	RTS714N2P03.....	83	SP16M1G10.....	25,33,39, 51,57,69,87, 95,101,107
RTS6BS12N10PHEC03.....	71	RTS14CCRG.....	80,88,93, 99,105,111	RTS714N2PH.....	83	SP16M1G15.....	25,33,39, 51,57,69,87, 95,101,107
RTS6BS12N10S.....	71	RTS14CCRR.....	80,88,93, 99,105,111	RTS714N2S.....	83	SP16M1G30.....	25,33,39, 51,57,69,87, 95,101,107
RTS6BS12N10S03.....	71	RTS14CCRY.....	80,88,93, 99,105,111	RTS714N2S03.....	83	SP20M1F.....	25
RTS6BS12N10SHEC03.....	71	RTS014DCG.....	80,88,93, 99,105,111	RTS714N2SH.....	83	SP20M1F.....	25,33,39, 51,57,69,87, 95,101,107
RTS6BS14N2P.....	83	RTS78N3P.....	13	RTS714N2SH.....	83	SP20M1G5.....	25,33,39, 51,57,69,87, 95,101,107
RTS6BS14N2P03.....	83	RTS78N3S.....	13	RTS714N4P.....	77	SP20M1G10.....	25,33,39, 51,57,69,87, 95,101,107
RTS6BS14N2PHEC03.....	83	RTS78N4P.....	17	RTS714N4P03.....	77	SP20M1G15.....	25,33,39, 51,57,69,87, 95,101,107
RTS6BS14N2S.....	83	RTS78N4S.....	17	RTS714N4PH.....	77	SP20M1G30.....	25,33,39, 51,57,69,87, 95,101,107
RTS6BS14N2S03.....	83	RTS710N2P.....	27	RTS714N4S.....	77	SP20M1F.....	25
RTS6BS14N2SHEC03.....	83	RTS710N2P03.....	27	RTS714N4S03.....	77	SP20M1F.....	25,33,39, 51,57,69,87, 95,101,107
RTS6BS14N4P.....	77	RTS710N2S.....	27	RTS714N4SH.....	77	SP20M1G5.....	25,33,39, 51,57,69,87, 95,101,107
RTS6BS14N4P03.....	77	RTS710N2S03.....	27	RTS714N4S03.....	77	SP20M1G10.....	25,33,39, 51,57,69,87, 95,101,107
RTS6BS14N4PHEC03.....	77	RTS710N3P.....	21	RTS714N4SH.....	77	SP20M1G15.....	25,33,39, 51,57,69,87, 95,101,107
RTS6BS14N4S.....	77	RTS710N3P03.....	21	RTS714N7P.....	91	SP20M1G30.....	25,33,39, 51,57,69,87, 95,101,107
RTS6BS14N4S03.....	77	RTS710N3S.....	21	RTS714N7P03.....	91	SP20M1F.....	25
RTS6BS14N4SHEC03.....	77	RTS710N3S03.....	21	RTS714N7PH.....	91	SP20M1F.....	25,33,39, 51,57,69,87, 95,101,107
RTS6BS14N7P.....	91	RTS710N4P.....	35	RTS714N7S.....	91	SP20M1G5.....	25,33,39, 51,57,69,87, 95,101,107
RTS6BS14N7P03.....	91	RTS710N4P03.....	35	RTS714N7S03.....	91	SP20M1G10.....	25,33,39, 51,57,69,87, 95,101,107
RTS6BS14N7S.....	91	RTS710N4S.....	35	RTS714N7SH.....	91	SP20M1G15.....	25,33,39, 51,57,69,87, 95,101,107
RTS6BS14N7S03.....	91	RTS710N4S03.....	35	RTS714N8P.....	97	SP20M1G30.....	25,33,39, 51,57,69,87, 95,101,107
RTS6BS14N8P.....	97	RTS710N6P.....	41	RTS714N8P03.....	97	SP20M1F.....	25
RTS6BS14N8P03.....	97	RTS710N6P03.....	41	RTS714N8PH.....	97	SP20M1F.....	25,33,39, 51,57,69,87, 95,101,107
RTS6BS14N8PHEC03.....	97	RTS710N6P03.....	41	RTS714N8S.....	97	SP20M1G5.....	25,33,39, 51,57,69,87, 95,101,107
RTS6BS14N8S.....	97	RTS710N6P03.....	41	RTS714N8S03.....	97	SP20M1G10.....	25,33,39, 51,57,69,87, 95,101,107
RTS6BS14N8S03.....	97	RTS710N6P03.....	41	RTS714N8SH.....	97	SP20M1G15.....	25,33,39, 51,57,69,87, 95,101,107
RTS6BS14N8SHEC03.....	97	RTS710N6P03.....	41	RTS714N12P.....	103	SP20M1G30.....	25,33,39, 51,57,69,87, 95,101,107
RTS6BS14N12P.....	103	RTS710N6P03.....	41	RTS714N12P03.....	103	SP20M1F.....	25
RTS6BS14N12P03.....	103	RTS710N6P03.....	41	RTS714N12PH.....	103	SP20M1F.....	25,33,39, 51,57,69,87, 95,101,107
RTS6BS14N12PHEC03.....	103	RTS710N6P03.....	41	RTS714N12PH.....	104	SP20M1G5.....	25,33,39, 51,57,69,87, 95,101,107
RTS6BS14N12PHEC03.....	105	RTS710N6P03.....	41	RTS714N12S.....	103	SP20M1G10.....	25,33,39, 51,57,69,87, 95,101,107
		RTS710N6P03.....	41	RTS714N12S03.....	103	SP20M1G15.....	25,33,39, 51,57,69,87, 95,101,107
		RTS710N6P03.....	41	RTS714N12SH.....	103	SP20M1G30.....	25,33,39, 51,57,69,87, 95,101,107
		RTS710N6P03.....	41	RTS714N12SH.....	104		

Appendix

Part Number Index (SP-SS)

SP20W1F.....	45,63,75,113	SS16M1G10.....	25,33,39,51
SP20W1G5.....	45,63,75,113		57,69,87,
SP20W1G10.....	45,63,75,113		95,101,107
SP20W1G15.....	45,63,75,113	SS16M1G15.....	25,33,39,51
SP20W1G30.....	45,63,75,113		57,69,87,
SP24M1F.....	25,33,39,		95,101,107
	51,57,69,87,	SS16M1G30.....	25,33,39,51
	95,101,107		57,69,87,
SP24M1G5.....	25,33,39,		95,101,107
	51,57,69,87,	SS20M1F.....	25,33,39,51
	95,101,107		57,69,87,
SP24M1G10.....	25,33,39,		95,101,107
	51,57,69,87,	SS20M1G5.....	25,33,39,51
	95,101,107		57,69,87,
SP24M1G15.....	25,33,39,		95,101,107
	51,57,69,87,	SS20M1G10.....	25,33,39,51
	95,101,107		57,69,87,
SP24M1G30.....	25,33,39,		95,101,107
	51,57,69,87,	SS20M1G15.....	25,33,39,51
	95,101,107		57,69,87,
SP24W1F.....	45,63,75,113		95,101,107
SP24W1G5.....	45,63,75,113	SS20M1G30.....	25,33,39,51
SP24W1G10.....	45,63,75,113		57,69,87,
SP24W1G15.....	45,63,75,113		95,101,107
SP24W1G30.....	45,63,75,113	SS20W1F.....	45,63,75,113
SP28W1F.....	45,63,75,113	SS20W1G5.....	45,63,75,113
SP28W1G5.....	45,63,75,113	SS20W1G10.....	45,63,75,113
SP28W1G10.....	45,63,75,113	SS20W1G15.....	45,63,75,113
SP28W1G15.....	45,63,75,113	SS20W1G30.....	45,63,75,113
SP28W1G30.....	45,63,75,113	SS24M1F.....	25,33,39,51
SS12A1T.....	63,81,87		57,69,87,
SS14M1F.....	25,33,39,51		95,101,107
	57,69,87,	SS24M1G5.....	25,33,39,51
	95,101,107		57,69,87,
SS14M1G5.....	25,33,39,51		95,101,107
	57,69,87,	SS24M1G10.....	25,33,39,51
	95,101,107		57,69,87,
SS14M1G10.....	25,33,39,51		95,101,107
	57,69,87,	SS24M1G15.....	25,33,39,51
	95,101,107		57,69,87,
SS14M1G15.....	25,33,39,51		95,101,107
	57,69,87,	SS24M1G30.....	25,33,39,51
	95,101,107		57,69,87,
SS14M1G30.....	25,33,39,51		95,101,107
	57,69,87,	SS24W1F.....	45,63,75,113
	95,101,107	SS24W1G5.....	45,63,75,113
SS16M1F.....	25,33,39,51	SS24W1G10.....	45,63,75,113
	57,69,87,	SS24W1G15.....	45,63,75,113
	95,101,107	SS24W1G30.....	45,63,75,113
SS16M1G5.....	25,33,39,51	SS28W1F.....	45,63,75,113
	57,69,87,	SS28W1G5.....	45,63,75,113
	95,101,107	SS28W1G10.....	45,63,75,113
		SS28W1G15.....	45,63,75,113
		SS28W1G30.....	45,63,75,113

USA

Amphenol Sine Systems
44724 Morley Drive
Clinton Township, MI 48036
Toll-Free: 1-800-394-7732
Fax: 1-586-465-1216
Email: csr@amphenol-sine.com
www.amphenol-sine.com

USA

Amphenol Corporation
Corporate Headquarters
358 Hall Ave
Wallingford Ct 06492
Phone: (877) 267-4366
www.amphenol.com

Mexico

Prolongacion Reforma 61-6 B2
Col. Paseo de las Lomas
C.P. 01330 Mexico DF, Mexico
Phone: 52-55-5258-9984
Fax: 52-55-5081-6890
Email: info@amphenolmexico.com
www.amphenolmexico.com

Argentina

Amphenol ARGENTINA
Avenida Callao 930
2nd floor Office B Plaza
C1023AAP Buenos Aires, Argentina
Phone: 54-11-4815-6886
Fax: 54-11-4814-5779
Email: info@amphenol.com.ar
amphenol.com.ar

Brazil

Amphenol do Brasil Ltda
Rua Diogo Moreira, 132
20 Andar, Rooms 2001-2-3
CEP 05423-101
Sao Paulo- SP, Brazil
Phone: 55-11-3815-1003
Fax: 55-11-3815-1629
www.amphenol.com.br

France

Amphenol SOCAPEX
948, Promenade de l'Arve - BP 29
74311 Thyez CEDEX, France
Phone: 33(0)4-50-89-28-40
Fax: 33(0)4-50-96-29-75
www.amphenol-socapex.com

Germany

Amphenol Tuchel GmbH
August-Haeusser-Strasse 10
Heilbronn, Germany 74080
Phone: +49(0)-7131-929-0
Fax: +49(0)-7131-929-486
Email: info@amphenol.de
www.amphenol.de

United Kingdom

Amphenol LIMITED
Thanet Way, Whitstable
Kent CT5 3JF, United Kingdom
Phone: 44-1-227-773200
Fax: 44-1-227-276571
www.amphenol.co.uk

Australia

Amphenol AUSTRALIA PTY LTD
22 Industry Boulevard
Carrum Downs VIC 3201 Australia
Phone: +61-3-8796-8888
Fax: +61-3-8796-8801
www.amphenol.com.au

Turkey

Amphenol International Ltd Turkey
Sun Plaza Kat. 15
Maslak Mah. Bilim Sok. No. 5
34398 Sisli / Istanbul - Turkey
Tel: + 90 212 367.92.20
Fax: + 90 212 367.92.21
www.amphenol.com.tr

South Africa

Amphenol International Ltd
South Africa
30 Impala Road
2196 Sandton, Chislehurst
South Africa
Phone: 27-11-783-9517
Fax: 27-11-783-9519
Email: sales@amphenolafrica.com
www.amphenol.com.za

China

Amphenol Sine Systems
Building 21, 1st Liao Keng Industrial Zone,
Shi Yan Street, Bao An District
Shenzhen, China 518180
Tel: +86-755-8173-8000 ext. 8098
Fax: +86-755-8173-8180
www.amphenol-sine.com.cn

India

Amphenol INTERCONNECT INDIA PVT LTD
105 Bhosari Industrial Area
Pune 411 026, India
Phone: +91 20 67360304
Fax: +91 20 67360321
www.amphenol-in.com

Korea

Amphenol DAESHIN
558. Songnae-2 Dong. SoSa-Gu
Bucheon City, Gyeonggi-do,
Korea 422-818
Phone: 81-32-610-3800
Fax: 81-32-673-2507
Email: info@amphenol.co.kr
www.amphenol.co.kr

Japan

Amphenol JAPAN
471-1, Deba, Ritto-city
shiga 520-3041, Japan
Phone: 81-77-553-8501
Fax: 81-77-551-2200
www.amphenol.co.jp

Russia

Amphenol RUSSIA
8 Yaroslavskaja Street
129164 Moscow, Russia
Phone: 7495-937-6341
Fax: 7495-937-6319
www.amphenol.ru