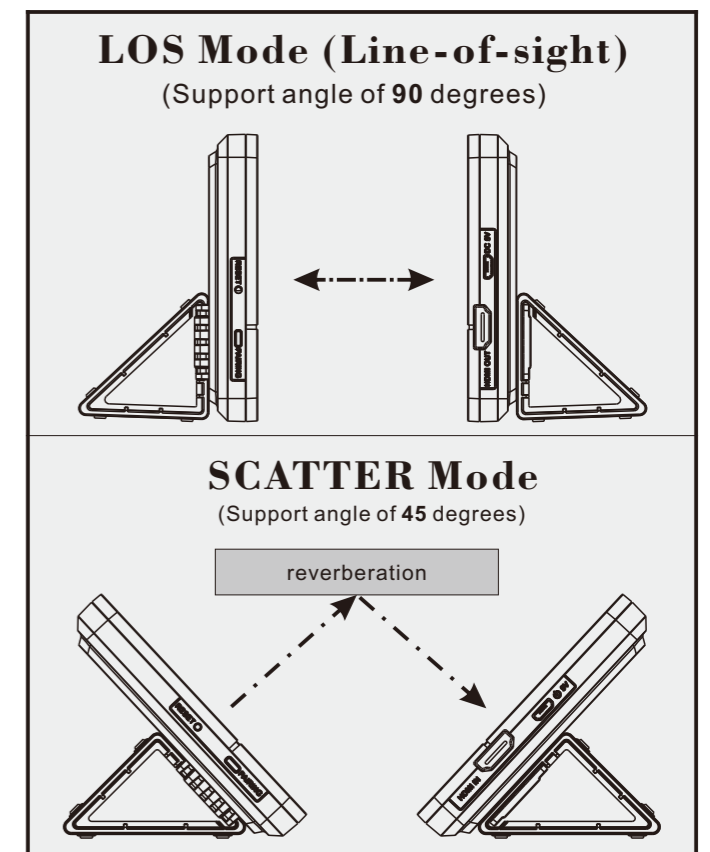
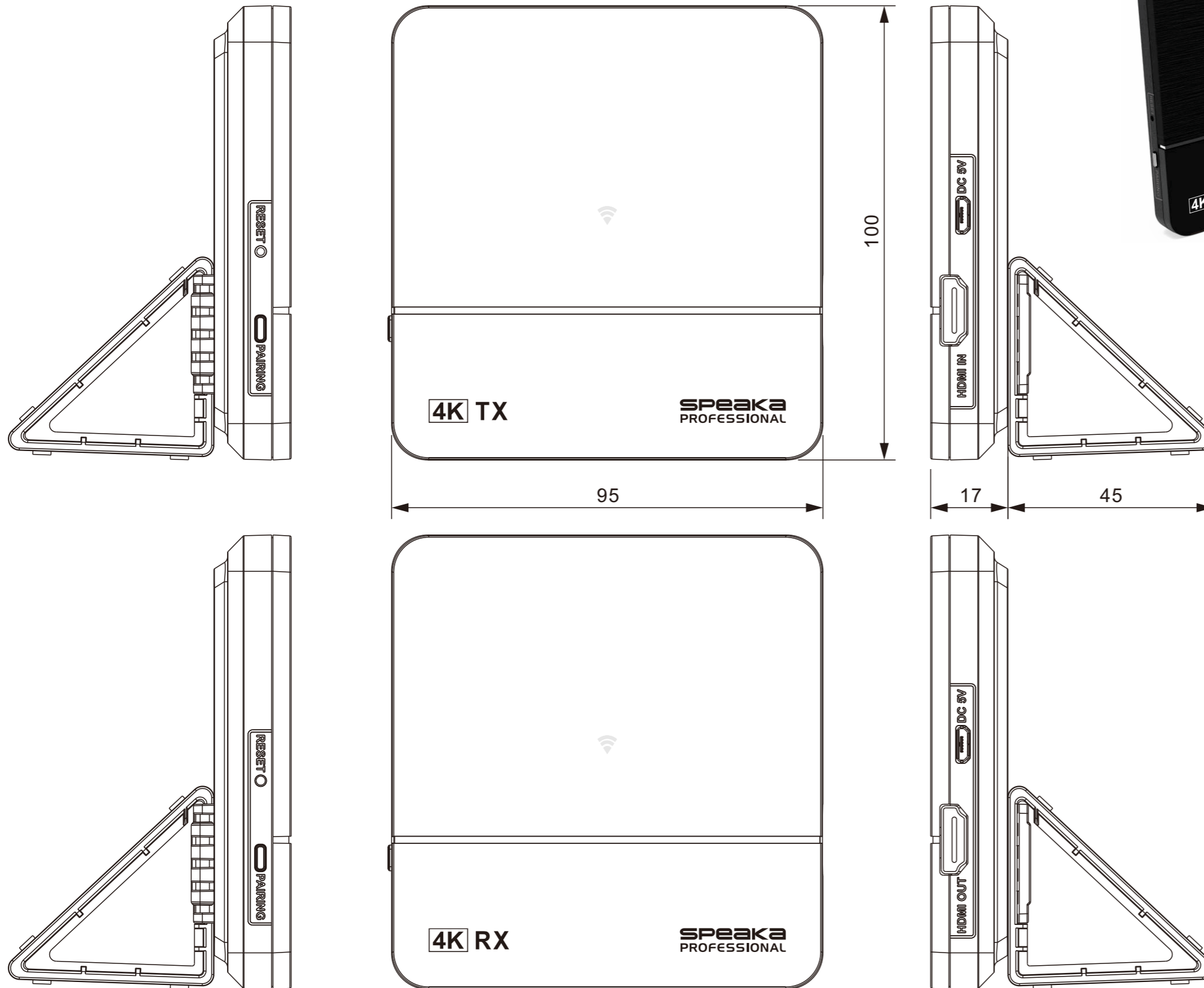


Top Housing Color : Black
Bottom Housing Color : Black
Silk-screen Color : White

Scale 1 : 1
Unit : mm



SPECIFICATIONS

SPEC.

| | | | |
|----------------------------|--|-------------------|--------------------|
| RF Standard : | Ultra Wide Band | | |
| Frequency Range | 60G | | |
| IR Return Range | Non support | | |
| Channel Bandwidth | 100MHz | | |
| RF Power | Output: 10dBm max. / Receive level -10dBm min. | | |
| Distance | max. 30 feet line of sight (no walls) | | |
| Transmission Delay | 0 sec. latency | | |
| Antenna Diversity | Matrix PCB Antenna for UWB | | |
| | | | |
| Media Processor : | Non compressing | | |
| Video / Audio Format | HDMI Standard format | | |
| Resolution | 3840 x 2160p @30 | | |
| | | | |
| In /Out port : HDMI | HDMI Type A 19-pin Female | | |
| HDMI Standard | HDMI 1.4a / HDCP 2.0 | | |
| | TX:HDMI Input / RX:HDMI Output | | |
| Powered : micro USB | RX: 5V/1A / TX : 5V/1A | | |
| | Approved by | Checked by | Designed by |
| | Paul Lin | Chad Chen | Amy Lin |