

## HD402T - HD402ST

▶ [ GB ] Pressure Transmitters



Pressure Transmitters



- Sensor with high accuracy and stability
- Measurement of pressures relative to the atmosphere or differential pressures
- Dual analog output, current and voltage, or RS485 Modbus-RTU output
- Versions with or without LCD display

Applications

- Control of air conditioning and ventilation
- Control of filters
- Monitoring of clean rooms
- Pneumatic controls
- Respirators
- Vaporizers



Description

The series of transmitters HD402T... is suitable for measuring relative pressure with respect to atmosphere or differential pressure in the range from 50 Pa to 200 kPa.

These transmitters use a silicon piezoresistive sensor with high accuracy and temperature compensation, which has excellent linearity, repeatability and stability over the time.

The output signal of the sensor is converted, depending on the model, into a digital RS485 Modbus-RTU output or into a standard analog output to be chosen between voltage 0...10 V or current 0...20 mA or 4...20 mA. The output signal can be transmitted over long distances with high immunity to interference (in the models with analog output the maximum distance depends on the load and the section of the connection cables, but distances of several hundred meters are commonly reached).

Different units of measurement can be chosen for each model and, in the models with analog output, it is possible to choose the full scale (f.s.) value for the output (high, intermediate or low range) and set the unipolar (0 ... +f.s.) or bipolar (-f.s. ... +f.s.) measuring range.

The configuration can be made through a series of dip switches mounted on the circuit board or by connecting the serial port of the transmitter to the PC.

Thanks to the particular sensor used, the transmitters are insensitive to orientation and position. Moreover, the high stability of the sensor over the time and in comparison to the changes in temperature allows to eliminate the operations of maintenance typically required to compensate for the aging and the deviation of the sensor zero.

The option "display" (L) is available, in this case the values of pressure are displayed on a 4-digit display under the unit of measure set by the user.

The transmitters are supplied ready for use and factory calibrated in 3 points.

Power supply: 24Vac or 18...40 Vdc for the models with analog output, 12...30 Vdc for the models with RS485 Modbus-RTU output.

Technical specifications

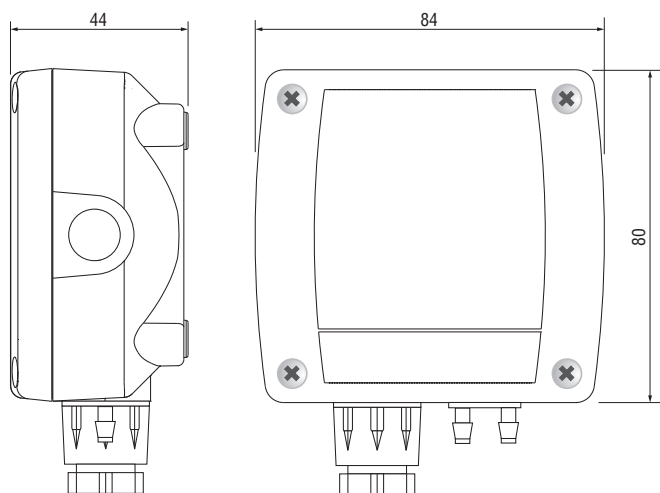
<b>Sensor</b>	Piezoresistive, High stability
<b>Measuring range</b>	from 0...50 Pa to 0...200 kPa both relative and differential (please refer to table 1)
<b>Resolution</b>	Please refer to table 2
<b>Accuracy @ 25 °C</b>	± 1.5% f.s. nominal for HD402T1 ± 0.75% f.s. nominal for HD402T2 ± 1% f.s. nominal for HD402T3, HD402T4 and HD402T5
<b>Accuracy @ 0...50 °C</b>	± 3% f.s. nominal for HD402T1 ± 1% f.s. nominal for HD402T2, HD402T3, HD402T4 and HD402T5
<b>Long term stability (1000 h) @ 25 °C</b>	± 0.5% f.s. nominal for HD402T1 and HD402T2 ± 0.35% f.s. nominal for HD402T3 ± 0.25% f.s. nominal for HD402T4 and HD402T5
<b>Output signal</b>	<ul style="list-style-type: none"> <li>• Models with analog output: 0...10 Vdc <math>R_L &gt; 10\text{ k}\Omega</math> and 0...20 or 4...20 mA <math>R_L &lt; 500\ \Omega</math> @ 24 Vdc</li> <li>• Models with digital output: RS485 Modbus-RTU</li> </ul>
<b>Response time</b>	Configurable 0.125, 1, 2 or 4 seconds for the output 0.5 seconds for the display updating
<b>Overpressure limit</b>	50 kPa for the models with f.s. up to 10 kPa 200 kPa for the model with f.s. 100 kPa 400 kPa for the model with f.s. 200 kPa
<b>Compatible media</b>	Only air and non-aggressive dry gases
<b>Power supply</b>	<ul style="list-style-type: none"> <li>• Models with analog output: 24 Vac ± 10% or 18...40 Vdc</li> <li>• Models with RS485 Modbus-RTU output: 12...30 Vdc</li> </ul>
<b>Absorption</b>	<ul style="list-style-type: none"> <li>• Models with analog output: &lt; 1 W @ 24 Vdc</li> <li>• Models with RS485 Modbus-RTU output: &lt; 100 mW @ 12 Vdc</li> </ul>
<b>Pressure connection</b>	Ø 5 mm hose
<b>Electrical connections</b>	Screw terminal block, max 1.5 mm <sup>2</sup> , PG9 fairlead for the input cable
<b>Operating conditions</b>	-10...+60 °C / 0...95% RH
<b>Storage temperature</b>	-20...+70 °C
<b>Housing dimensions</b>	80 x 84 x 44 mm
<b>Protection degree</b>	IP67

**TAB. 1: full scale values and units of measurement**

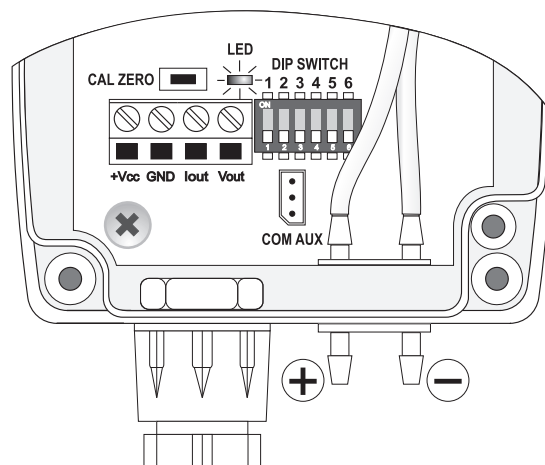
Model	Pa	kPa	mbar	mmH <sub>2</sub> O	inchH <sub>2</sub> O	mmHg	PSI
HD402T1	50/100/250	---	0.5/1/2.5	5/10/25	0.2/0.4/1	---	---
HD402T2	250/500/1000	---	2.5/5/10	25/50/100	1/2/4	---	---
HD402T3	---	2.5/5/10	25/50/100	---	---	10/25/50	0.4/0.75/1.5
HD402T4	---	25/50/100	250/500/1000	---	---	100/250/500	4/7.5/15
HD402T5	---	50/100/200	500/1000/2000	---	---	250/500/1000	10/15/30

**TAB. 2: resolution**

Model	Pa	kPa	mbar	mmH <sub>2</sub> O	inchH <sub>2</sub> O	mmHg	PSI
HD402T1	0.1	---	0.001	0.01	0.001	---	---
HD402T2	1	---	0.01	0.1	0.01	---	---
HD402T3	---	0.01	0.1	---	---	0.01	0.001
HD402T4	---	0.1	1	---	---	0.1	0.01
HD402T5	---	0.1	1	---	---	1	0.01



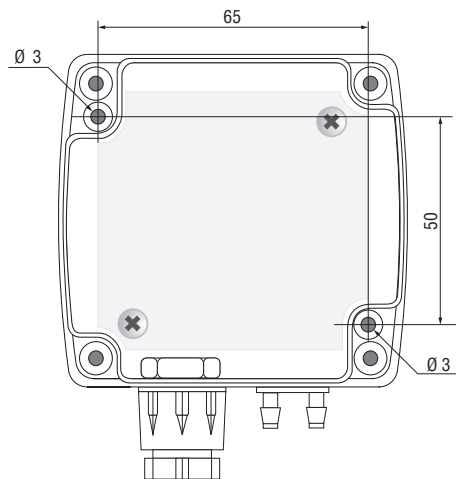
**Fig. 1: dimensions (mm)**



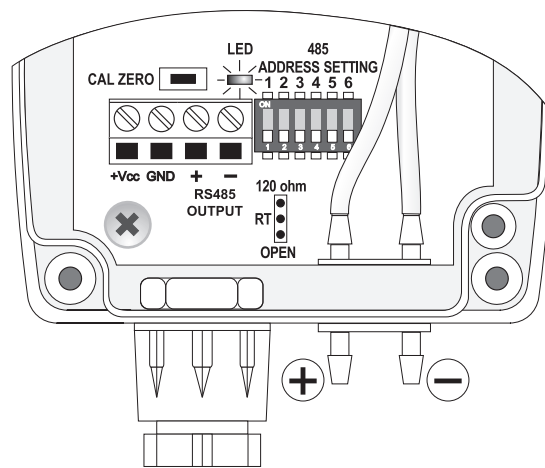
**Models with analog output**

**Installation**

In any model the sensor and the electronics are housed in a rugged plastic case with IP67 protection degree. By opening the lid, 3 mm diameter holes are available so to allow securing the base of the transmitter directly to a panel or to the wall.



**Fig. 2: fixing holes (dimensions in mm)**



**Models with RS485 output**

**Fig. 3: CAL ZERO button and configuration dip-switches**

The transmitter can be mounted in any position, but typically it is secured on a vertical wall with the pressure taps facedown. The deviation of the zero due to the mounting position can be corrected by using CAL ZERO. The procedure for the manual calibration of the zero is the following:

- make sure that the transmitter is powered at least for 1 hour;
- disconnect both the tubes from the pressure + and – inputs;
- press CAL ZERO until the red LED starts flashing;
- when the red LED turns off, the zeroing procedure is completed and you can reconnect the tube to the pressure connections.

It is recommended to follow the auto-zero procedure at least once a year under normal operating conditions.

## Electrical connections

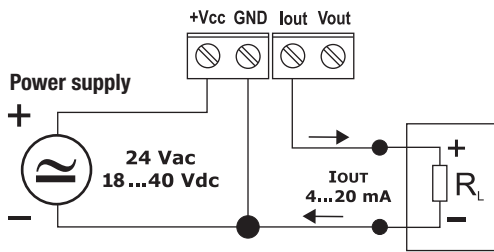


Fig. 4: current analog output

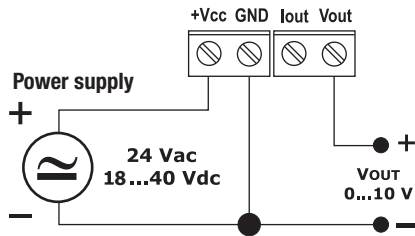


Fig. 5: voltage analog output

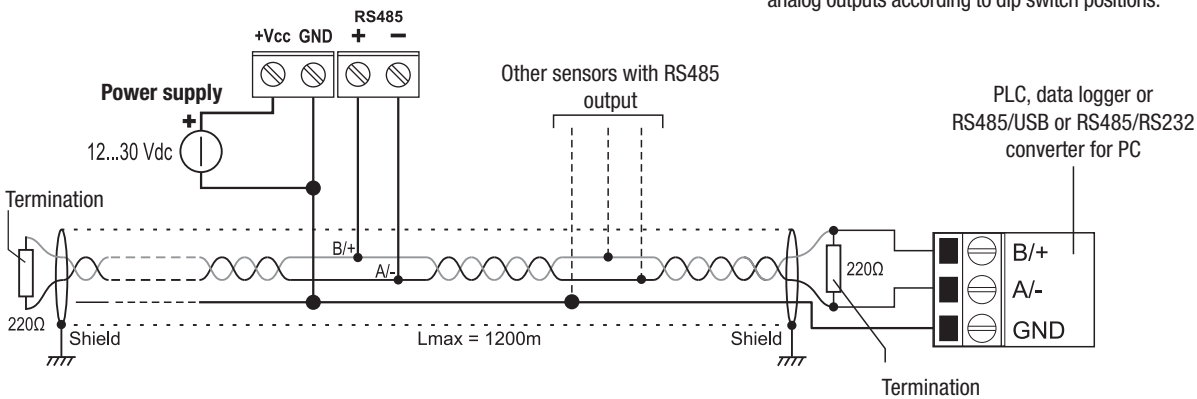


Fig. 6: RS485 connection

In the RS485 connection, the instruments are connected in a sequence through a shielded cable with twisted pair for signals and a third wire for the common. Line termination must be set at the two network ends.

The maximum number of devices that can be connected to the RS485 line (Bus) depends on the load characteristics of the devices to be connected. The RS485 standard requires that the total load does not exceed 32 unit loads. The load of an HD402ST... transmitter is equal to 1/4 of unit load. If the total load is greater than 32 unit loads, divide the network into segments and add a signal repeater between a segment and the successive one. Line termination should be applied at both ends of each segment.

The instrument has a built-in line termination that can be connected or removed through a short jumper placed next to the terminal block. If the instrument is the last or the first device of a network group, connect the termination placing the short jumper between the "RT" and "120 ohm" indications. If the instrument is not at the end of a network group, remove the termination placing the short jumper between the "RT" and "OPEN" indications.

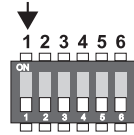
The cable shield must be connected to both line ends. The cable should have the following features:

- Characteristic impedance: 120 ohm
- Capacity: less than 50pF/m
- Resistance: less than 100 ohm/km
- Gauge: 0,22 mm<sup>2</sup> (AWG24) at least

The cable maximum length depends on baud rate and cable characteristics. Typically, the maximum length is 1200 m. The data line must be kept separated from any power lines in order to prevent interferences on the transmitted signal.

## Configuration of the models with analog output (HD402T...)

**Setting the configuration mode:** the transmitter can be configured by using the dip switches on the circuit board or via the serial communication port COM AUX. The choice of the configuration mode is done with the dip switch 1:



- Dip switch 1 = ON  $\Rightarrow$  the configuration set through the dip switches 2...6 is used
- Dip switch 1 = OFF  $\Rightarrow$  the configuration set via serial port is used

## Configuration by dip switch (models with analog output)

The configuration of the dip switches is used by the transmitter only if the dip switch 1 is ON.

The dip switches 2 and 3 select the low, intermediate or high measuring range.

The dip switches 4 and 5 select one of the four available units in the model.

The dip switch 6 sets the unipolar (0 ... + f.s.) or bipolar (-f.s....+ f.s.) measuring range.

A dip switch is OFF when placed down, towards the serial connector. Instead, it is ON if placed up, towards the DIP SW sign.

The following tables report the measuring range, for each model, corresponding to the analog outputs according to dip switch positions.

**TAB. 3: measuring ranges for outputs of the model HD402T1**

Dip switch number										
6	2	3	4	5	4	5	4	5	4	5
			OFF	OFF	ON	OFF	OFF	ON	ON	ON
			Pa		mmH <sub>2</sub> O		inchH <sub>2</sub> O		mbar	
OFF	OFF	ON	0...50.0 Pa		0...5.00 mmH <sub>2</sub> O		0...0.200 inchH <sub>2</sub> O		0...0.500 mbar	
	ON	OFF	0...100.0 Pa		0...10.00 mmH <sub>2</sub> O		0...0.400 inchH <sub>2</sub> O		0...1.000 mbar	
	OFF	OFF	0...250.0 Pa		0...25.00 mmH <sub>2</sub> O		0...1.000 inchH <sub>2</sub> O		0...2.500 mbar	
	ON	ON								
ON	OFF	ON	-50.0...+50.0 Pa		-5.00...+5.00 mmH <sub>2</sub> O		-0.200...+0.200 inchH <sub>2</sub> O		-0.500...+0.500 mbar	
	ON	OFF	-100.0...+100.0 Pa		-10.00...+10.00 mmH <sub>2</sub> O		-0.400...+0.400 inchH <sub>2</sub> O		-1.000...+1.000 mbar	
	OFF	OFF	-250.0...+250.0 Pa		-25.00...+25.00 mmH <sub>2</sub> O		-1.000...+1.000 inchH <sub>2</sub> O		-2.500...+2.500 mbar	
	ON	ON								

**TAB. 4: measuring ranges for outputs of the model HD402T2**

Dip switch number										
6	2	3	4	5	4	5	4	5	4	5
			OFF	OFF	ON	OFF	OFF	ON	ON	ON
			Pa		mmH <sub>2</sub> O		inchH <sub>2</sub> O		mbar	
OFF	OFF	ON	0...250 Pa		0...25.0 mmH <sub>2</sub> O		0...1.00 inchH <sub>2</sub> O		0...2.5 mbar	
	ON	OFF	0...500 Pa		0...50.0 mmH <sub>2</sub> O		0...2.00 inchH <sub>2</sub> O		0...5.00 mbar	
	OFF	OFF	0...1000 Pa		0...100.0 mmH <sub>2</sub> O		0...4.00 inchH <sub>2</sub> O		0...10.00 mbar	
	ON	ON								
ON	OFF	ON	-250...+250 Pa		-25.0...+25.0 mmH <sub>2</sub> O		-1.00...+1.00 inchH <sub>2</sub> O		-2.50...+2.50 mbar	
	ON	OFF	-500...+500 Pa		-50.0...+50.0 mmH <sub>2</sub> O		-2.00...+2.00 inchH <sub>2</sub> O		-5.00...+5.00 mbar	
	OFF	OFF	-1000...+1000 Pa		-100.0...+100.0 mmH <sub>2</sub> O		-4.00...+4.00 inchH <sub>2</sub> O		-10.00...+10.00 mbar	
	ON	ON								
ON	ON									

**TAB. 5: measuring ranges for outputs of the model HD402T3**

Dip switch number										
6	2	3	4	5	4	5	4	5	4	5
			OFF	OFF	ON	OFF	OFF	ON	ON	ON
			kPa		mmHg		PSI		mbar	
OFF	OFF	ON	0...2.50 kPa		0...10.00 mmHg		0...0.400 PSI		0...25.0 mbar	
	ON	OFF	0...5.00 kPa		0...25.00 mmHg		0...0.750 PSI		0...50.0 mbar	
	OFF	OFF	0...10.00 kPa		0...50.00 mmHg		0...1.500 PSI		0...100.0 mbar	
	ON	ON								
ON	OFF	ON	-2.50...+2.50 kPa		-10.00...+10.00 mmHg		-0.400...+0.400 PSI		-25.0...+25.0 mbar	
	ON	OFF	-5.00...+5.00 kPa		-25.00...+25.00 mmHg		-0.750...+0.750 PSI		-50.0...+50.0 mbar	
	OFF	OFF	-10.00...+10.00 kPa		-50.00...+50.00 mmHg		-1.500...+1.500 PSI		-100.0...+100.0 mbar	
	ON	ON								
ON	ON									

**TAB. 6: measuring ranges for outputs of the model HD402T4**

Dip switch number										
6	2	3	4	5	4	5	4	5	4	5
			OFF	OFF	ON	OFF	OFF	ON	ON	ON
			kPa		mmHg		PSI		mbar	
OFF	OFF	ON	0...25.0 kPa		0...100.0 mmHg		0...4.00 PSI		0...250 mbar	
	ON	OFF	0...50.0 kPa		0...250.0 mmHg		0...7.50 PSI		0...500 mbar	
	OFF	OFF	0...100.0 kPa		0...500.0 mmHg		0...15.00 PSI		0...1000 mbar	
	ON	ON								
ON	OFF	ON	-25.0...+25.0 kPa		-100.0...+100.0 mmHg		-4.00...+4.00 PSI		-250...+250 mbar	
	ON	OFF	-50.0...+50.0 kPa		-250.0...+250.0 mmHg		-7.50...+7.50 PSI		-500...+500 mbar	
	OFF	OFF	-100.0...+100.0 kPa		-500.0...+500.0 mmHg		-15.00...+15.00 PSI		-1000...+1000 mbar	
	ON	ON								
ON	ON									

**TAB. 7: measuring ranges for outputs of the model HD402T5**

Dip switch number										
6	2	3	4	5	4	5	4	5	4	5
			OFF	OFF	ON	OFF	OFF	ON	ON	ON
			kPa		mmHg		PSI		mbar	
OFF	OFF	ON	0...50.0 kPa		0...250 mmHg		0...10.00 PSI		0...500 mbar	
	ON	OFF	0...100.0 kPa		0...500 mmHg		0...15.00 PSI		0...1000 mbar	
	OFF	OFF	0...200.0 kPa		0...1000 mmHg		0...30.00 PSI		0...2000 mbar	
	ON	ON								
ON	OFF	ON	-50.0...+50.0 kPa		-250...+250 mmHg		-10.00...+10.00 PSI		-500...+500 mbar	
	ON	OFF	-100.0...+100.0 kPa		-500...+500 mmHg		-15.00...+15.00 PSI		-1000...+1000 mbar	
	OFF	OFF	-200.0...+200.0 kPa		-1000...+1000 mmHg		-30.00...+30.00 PSI		-2000...+2000 mbar	
	ON	ON								
ON	ON									

## Configuration via the serial port COM AUX (models with analog output)

The configuration set with the serial communication is used by the transmitter only if the dip switch 1 is OFF.

In order to modify the settings, please proceed as follows:

- Connect the serial COM AUX output of the transmitter to the RS232 port (via the **RS27** cable) or USB (via the cable **CP27**) of the PC. If you use the CP27 cable, install the USB drivers on your PC.
- On the PC, launch a program for serial communication (e.g. Hyperterminal), set the baud rate to 115200 and the communication parameters to 8N1.
- Send the commands given in table 8 to set the measurement range corresponding to the analog outputs.

**TAB. 8: configuration serial commands** (models with analog output)

Command	Response	Description
Kn	&	Set the unit of measurement of index n HD402T1 & HD402T2                      HD402T3 & HD402T4 & HD402T5 n=0 ⇒ Pa                                      n=0 ⇒ kPa n=1 ⇒ mmH <sub>2</sub> O                              n=1 ⇒ mmHg n=2 ⇒ inchH <sub>2</sub> O                              n=2 ⇒ PSI n=3 ⇒ mbar                                      n=3 ⇒ mbar
Rn	&	Set the measuring range of index n n=0 ⇒ high range (es. 250 Pa / 25 mmH <sub>2</sub> O / 1 "H <sub>2</sub> O / 2.5 mbar in HD402T1) n=1 ⇒ intermediate range (es. 100 Pa / 10 mmH <sub>2</sub> O / 0.4 "H <sub>2</sub> O / 1 mbar in HD402T1) n=2 ⇒ low range (es. 50 Pa / 5 mmH <sub>2</sub> O / 0.2 "H <sub>2</sub> O / 0.5 mbar in HD402T1)
PU	&	Set the unipolar measuring range (0...+f.s.)
PB	&	Set the unipolar measuring range (0...+f.s.)
Sn	&	Set the response time of index n for the analog outputs n=0 ⇒ 0.125 s                              n=1 ⇒ 1 s n=2 ⇒ 2 s                                      n=4 ⇒ 4 s
U0	&	Set the interval 0...20 mA for the analog current output
U1	&	Set the interval 4...20 mA for the analog current output

In order to read the settings of the transmitter, send the commands described in Table 9.

**TAB. 9: serial commands to read the configuration** (models with analog output)

Command	Response	Description
G0	See the example below	It reads the current configuration of the transmitter. If the dip switch 1 is OFF, it returns the configuration set via the serial port. If the dip switch 1 is set to ON, it returns the configuration set by dip switch
GF	See the example below	It reads the configuration set by the serial port
GS	See the example below	It reads the configuration set by the dip switch
S?	Response time	It reads the response time set for the analog outputs

The commands G0, GF and GS for reading the configuration return a string consisting of:

- model
- full scale value set for the analog outputs
- polarity of the measuring range (U=unipolar, B=bipolar)
- range of the analog output current (0=0...20mA, 4=4...20 mA)

for example: the string "HD402T2 5.00mbar B40" indicates that the transmitter model is HD402T2, the full scale set for the analog outputs is 5.00 mbar, the measuring range is bipolar (-5.00...+5.00 mbar) and the analog current output type is 4...20 mA. The last character of the string (0 in the example) is a confidential code.

## Configuration of the models with RS485 Modbus-RTU output (HD402ST...)

**RS485 Modbus address:** each transmitter of the network is univocally identified by an address between 1 and 247. **Transmitters having the same address shall not be present in the network.** The transmitter Modbus address is equal to the sum of the value set with the dip-switches 2...6 (value settable from 0 to 31) and the value set with the serial command WA (value settable from 1 to 216, default = 1). By setting a dip-switch to ON (upwards), the following values are added to the address:

	Dip-switch 2	Dip-switch 3	Dip-switch 4	Dip-switch 5	Dip-switch 6
<b>ON</b>	16	8	4	2	1
<b>OFF</b>	0	0	0	0	0

Example: if the dip-switches 2 and 4 are set to ON, and the dip-switches 3,5 and 6 are set to OFF, the value set with the dip-switches is 16+4=20. If the value set with the serial command WA is 1 (default value), the transmitter Modbus address is 20+1=21.

The dip-switches can be set even if the transmitter is powered, and the change is effective immediately.

## Configuration via the RS485 serial port (models HD402ST...)

The transmitters are preset by the factory. To change the settings, proceed as follows:

- Connect the transmitter RS485 output to the PC RS232 (through a RS485/RS232 converter) or USB (through a RS485/USB converter, for example the **RS48** cable) port. If a RS485/USB converter is used, install in the PC the related USB drivers.

- To enable the configuration mode, set the **dip-switch 1** (the one closest to the terminal block) to **ON** (upwards), then power the transmitter.

Note: the dip-switch 1 can be changed from OFF to ON even when the instrument is powered; in this case it is however necessary, after setting the dip-switch to ON, to press briefly (less than 0.5 seconds) the CAL ZERO button to enable the configuration mode (the transmitter model information appears on display, if present). Alternatively, power cycle the transmitter.

- In the PC, run a serial communication software (e.g. Hyperterminal), set the baud rate to 57600 and the communication parameters to 8N1.

- Send the **CAL START** command (the command is required to change the configuration; to read the value of the parameters, the command is not required).

- Send the commands given in table 10 to set or read the configuration parameters of the transmitter.

**TAB. 10: serial commands** (models with RS485 Modbus-RTU output)

Command	Description
<b>Response time</b>	
AVGn	Set the response time of index n for the measurement n=0 ⇒ 0.125 s   n=1 ⇒ 1 s   n=2 ⇒ 2 s   n=4 ⇒ 4 s
AVG?	Reads the response time set for the measurement
<b>Unit of measurement</b>	
DU0	Shows pressure in Pa (HD402ST1 and HD402ST2) or kPa (HD402ST3, HD402ST4 and HD402ST5) on display
DU1	Shows pressure in mmH <sub>2</sub> O (HD402ST1 and HD402ST2) or mmHg (HD402ST3, HD402ST4 and HD402ST5) on display
DU2	Shows pressure in inchH <sub>2</sub> O (HD402ST1 and HD402ST2) or PSI (HD402ST3, HD402ST4 and HD402ST5) on display
DU3	Shows pressure in mbar on display
<b>Modbus parameters</b>	
WA n...n	Sets the Modbus base address to the value n...n The value must be between 1 and 216 (default = 1)  <b>Warning: the actual Modbus address of the transmitter is equal to the base address set with this command plus the value set with the dip-switches.</b>  Note: in the reply to the command, the previous actual address appears; the new address will appear in the replies to the next commands.
BAUD r...r	Sets the Modbus Baud Rate to the value r...r The acceptable values are 9600 and 19200 (default = 19200) If the command is sent without the parameter r...r, the current setting is obtained
PAR p	Sets the Modbus communication parameters of index p p=0 ⇒ 801                      p=N ⇒ 8N2                      p=E ⇒ 8E1 If the command is sent without the index p, the current setting is obtained (default = 8E1).

**Nota:** the replies of the transmitters with RS485 Modbus-RTU output always start with the address of the connected transmitter. For example, sending the AVG2 command to a transmitter with Modbus address 1, the reply is "001: averaging = 2 sec".

To exit the configuration mode after sending the CAL START command, send the CAL END command (the transmitter automatically exits the configuration mode after 5 minutes from the last command sent).

### MODBUS-RTU mode

To operate with the Modbus-RTU protocol be sure that the **dip-switch 1** (the one closest to the terminal block) is set to **OFF** (downwards). The dip-switch can be set to OFF even if the transmitter is powered, and the change is effective immediately.

The measured values can be read in Modbus-RTU mode by using the 04h function code (Read Input Registers). Table 11 lists the Modbus Input Registers available:

**TAB. 11: MODBUS Input Registers**

Register number	Register address	Datum	Format
4	3	Pressure in tenths of Pa (only HD402ST1)	16-bit integer
5	4	Pressure in Pa (only HD402ST1, HD402ST2 and HD402ST3)	16-bit integer
6	5	Pressure in daPa (only HD402ST2, HD402ST3 and HD402ST4)	16-bit integer
7	6	Pressure in hPa (only HD402ST3, HD402ST4 and HD402ST5)	16-bit integer
8	7	Pressure in kPa (only HD402ST4 and HD402ST5)	16-bit integer
9	8	Pressure in hundredths of mmH <sub>2</sub> O (only HD402ST1 and HD402ST2)	16-bit integer
10	9	Pressure in tenths of mmH <sub>2</sub> O (only HD402ST1, HD402ST2 and HD402ST3)	16-bit integer
11	10	Pressure in mmH <sub>2</sub> O (only HD402ST2, HD402ST3 and HD402ST4)	16-bit integer
12	11	Pressure in thousandths of inchH <sub>2</sub> O (only HD402ST1 and HD402ST2)	16-bit integer
13	12	Pressure in hundredths of inchH <sub>2</sub> O (only HD402ST2 and HD402ST3)	16-bit integer
14	13	Pressure in tenths of inchH <sub>2</sub> O (only HD402ST3, HD402ST4 and HD402ST5)	16-bit integer
15	14	Pressure in inchH <sub>2</sub> O (only HD402ST4 and HD402ST5)	16-bit integer
16	15	Pressure in thousandths of mmHg (only HD402ST2)	16-bit integer
17	16	Pressure in hundredths of mmHg (only HD402ST2 and HD402ST3)	16-bit integer
18	17	Pressure in tenths of mmHg (only HD402ST3 and HD402ST4)	16-bit integer
19	18	Pressure in mmHg (only HD402ST4 and HD402ST5)	16-bit integer
20	19	Pressure in thousandths of PSI (only HD402ST3)	16-bit integer
21	20	Pressure in hundredths of PSI (only HD402ST3, HD402ST4 and HD402ST5)	16-bit integer
27	26	Error register	16-bit integer

Reading a register not available for a particular model returns the value -32768 (0x8000).

### Error register

The bits of the error register signal, if set to 1, anomalies in the measurement. The bit 0 (the less significant one) indicates a measurement over-range of the transmitter. The bit 1 indicates whether the measurement is less than the minimum measurable (under-range). The bits 2 and 3 indicate sensor errors.

**TAB. 12: MODBUS Holding Registers**

Register number	Register address	Datum	Format
101	100	Modbus base address (from 1 to 216) <b>Warning: the actual Modbus address of the transmitter is equal to the base address set in this register plus the value set with the dip-switches.</b>	16-bit integer
102	101	Modbus Baud Rate Acceptable values: 3 (⇒ 9600) and 4 (⇒ 19200)	16-bit integer
103	102	Modbus communication parameters Acceptable values: 1 (⇒ 8N2), 2 (⇒ 8E1) and 4 (⇒ 801)	16-bit integer

The Modbus Holding Registers allow setting the same Modbus parameters that can be set via the serial commands WA, BAUD and PAR. Use the 06h (Write Single Register) and 03h (Read Holding Registers) function codes to write and read respectively the content of the registers.

**To make the changes of the Holding Registers content active and permanent, write the hexadecimal value FF00 in the Coil Register number 3 (address 2) by using the 05h function code (Write Single Coil).**

**TAB. 13: MODBUS Coils**

Register number	Register address	Datum
3	2	Activation and permanent storage of the Holding Registers content changes.

**Display**

Models with suffix L are equipped with a 4-digit LCD display. In models with LCD option, the measuring range shown on the display is always bipolar (-f.s.....+f.s.) and related to the maximum full scale available in the model (the setting of the measuring range in the models with analog output only affects the behavior of the output).

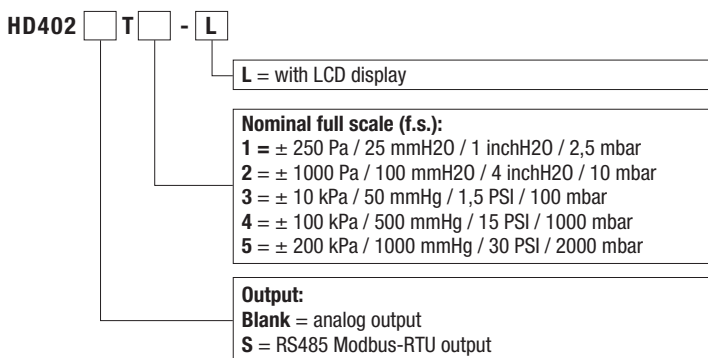
The measure on the display is updated twice a second.

**Error messages:**

- Undr ⇒ it appears if the measured value is less than the minimum measurable value
- OvEr ⇒ it appears if the measured value exceeds the maximum measurable value
- CAL Error ⇒ it appears at the end of the zero calibration if the maximum offset value possible to be corrected is exceeded.

**Purchasing codes**

**HD402T...** Pressure relative to the atmosphere or differential pressure transmitters. For dry air and non-aggressive gases. Barbed connection diam. 5 mm for hose. RS485 Modbus-RTU output or analog output at choice between voltage 0...10 V or current 0...20 mA or 4...20 mA. Operating temperature -10...+60 °C. Power supply: 24Vac or 18...40 Vdc for the models with analog output, 12...30 Vdc for the models with RS485 Modbus-RTU output



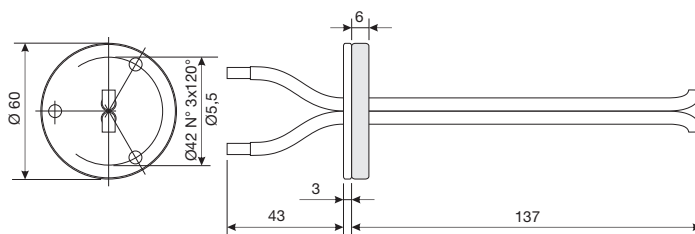
**Accessories**

Included:

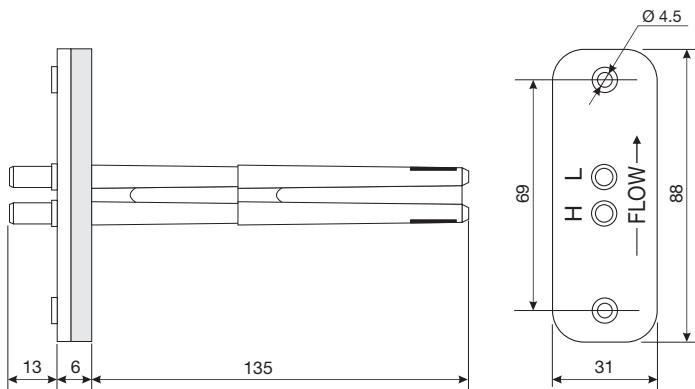
- N°1 piece of silicone tubing ø3.2/ø6.4, length 2 m
- N°2 plastic fittings HD434T.5

Upon request:

- AP3719** Air inlet for square or cylindrical channel.
- AP3721** Air inlet for cylindrical channel, made of plastic.
- RS27** RS232 null-modem serial connection cable with SubD 9-pin connector on the PC side and 3-pole connector on the side of the instrument.
- CP27** Serial connection cable with USB connector on the PC side and 3-pole connector on the side of the instrument. The cable has a built-in USB/RS232 converter and it connects the instrument directly to the USB port of the PC.
- RS48** Cable for RS485 connection with built-in USB/RS485 converter. The cable has USB connector for PC and 3 separate wires for the instruments.



**Fig. 7: AP3719 duct probe**



**Fig. 8: AP3721 duct probe**



Example of connection with the indicator controller hd9022

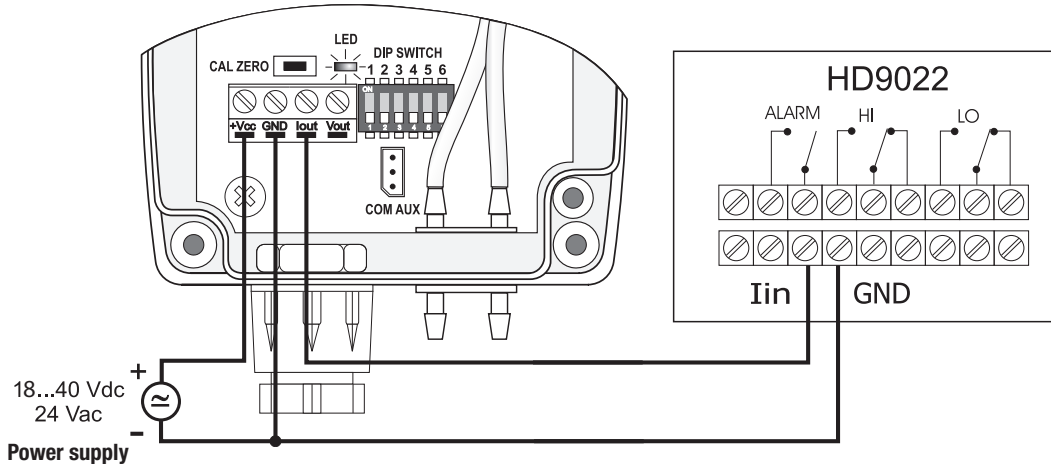


Fig. 9: current output 0...20 or 4...20 mA

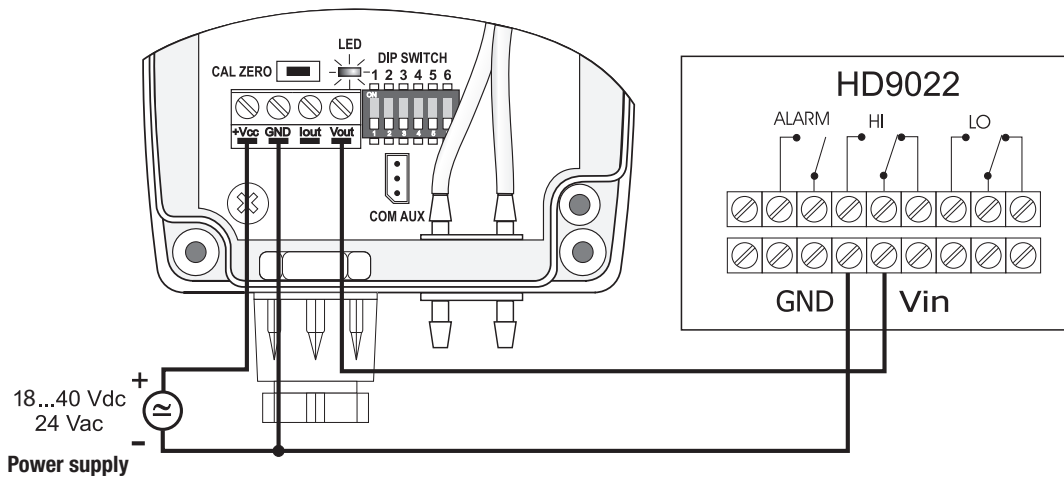


Fig. 10: voltage output 0...10 Vdc

MANUFACTURE OF PORTABLE, BENCH TOP AND PROCESS SCIENTIFIC INSTRUMENTS

Current and voltage loop transmitters and regulators

Temperature - Humidity, Dew point - Pressure - CO, CO<sub>2</sub>

Air speed - Light - Optical Radiation

Acoustics - Vibration

Data logger - Data logger wireless

Microclimate

pH - Conductivity - Dissolved Oxygen - Turbidity

Elements for weather stations



**ACCREDIA**  
L'ENTE ITALIANO DI ACCREDITAMENTO

LAT N° 124 Signatory of EA, IAF and ILAC Mutual Recognition Agreements

Temperature - Humidity - Pressure - Air speed

Photometry/Radiometry - Acoustics

CE CONFORMITY

- **Safety:** EN61000-4-2, EN61010-1 Level 3
- **Electrostatic discharge:** EN61000-4-2 Level 3
- **Electric fast transients:** EN61000-4-4 Level 3, EN61000-4-5 Level 3
- **Voltage variations:** EN61000-4-11
- **Electromagnetic interference susceptibility:** IEC1000-4-3
- **Electromagnetic interference emission:** EN55022 class B



Delta Ohm srl

Via G. Marconi, 5

35030 Caselle di Selvazzano (PD) - Italy

Tel. 0039 0498977150 r.a.

Fax 0039 049635596

e-mail: [info@deltaohm.com](mailto:info@deltaohm.com)

Web Site: [www.deltaohm.com](http://www.deltaohm.com)



Made in Italy

01  
06.15