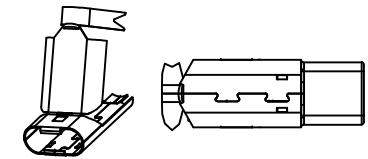
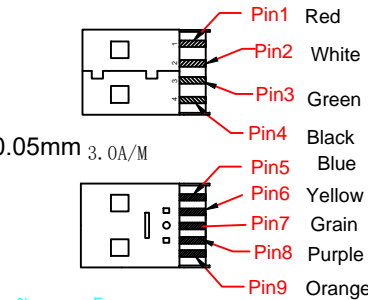
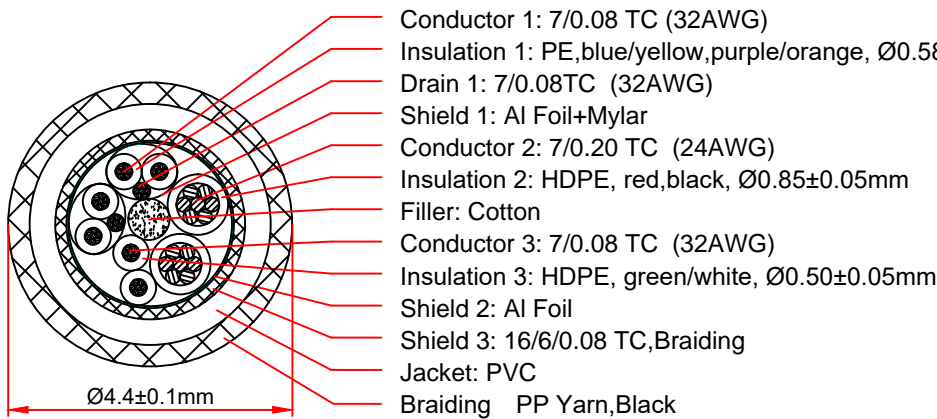
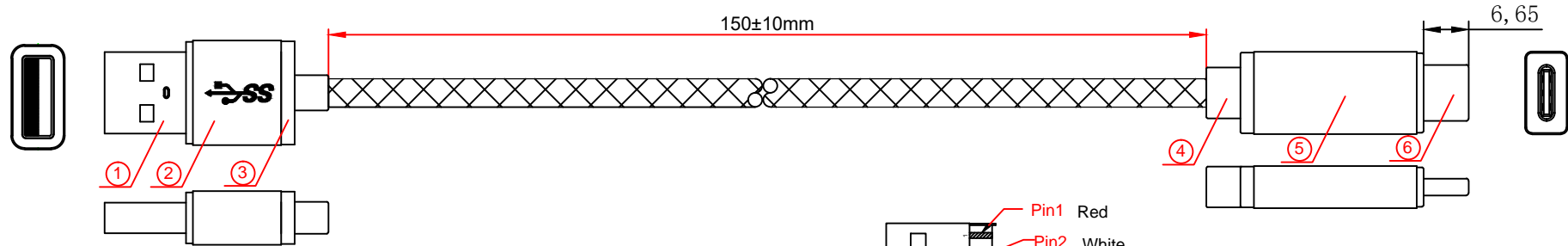


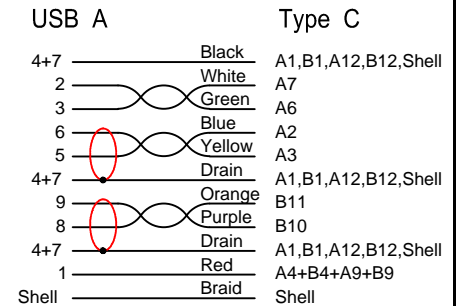
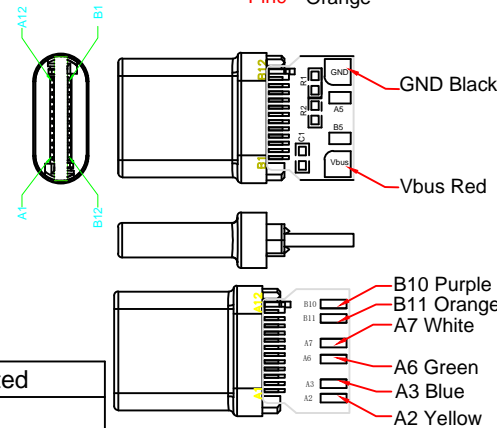
RoHS Compliant

REVISION

REV	DESCRIPTION	DATE	SIGNATURE
A	Initial release	2017.10.27	Andy



311-153-1



⑥	Type C(M) Plug	1	Brass	Nickel plated	
⑤	USB Type C Shell	1	Al	Sliver	
④	USB Type C Outer Molding	1	PVC	Black	
③	USB A(M) Outer Molding	1	PVC	Black	
②	USB A(M) Shell	1	Al	Sliver	
①	USB A(M) Plug	1	Brass	Nickel plated	
No	PART No.	COMPONENTS	QTY	MATERIAL	FINISH

TITLE				DRAWING No.	SHEET
USB A/M To Type C(3.1)					1/1
UNIT	SCALE	TOL UNLESS NOTED	APPROVED BY	CHECKED BY	DRAWN BY
mm	Free	±0.1			Andy
					2017.10.27