



TILTIX Inclinometer

ACS-080-2-CA01-HE2-AW

POSITAL
FRABA



General Specifications

| | |
|-------------------|---|
| Application | 2-Axes Position Monitoring and Leveling |
| Measurement Range | $\pm 80^\circ$ |
| Absolute Accuracy | 0.10° |
| Resolution | 0.01° |

Electrical Specifications

| | |
|-----------------------------|--|
| Supply Voltage | 10 - 30 VDC |
| Current Consumption | $\leq 65 \text{ mA @ } 10 \text{ V DC}, \leq 60 \text{ mA @ } 24 \text{ V DC}$ |
| EMC: Emitted Interference | DIN EN 61000-6-4 |
| EMC: Noise Immunity | DIN EN 61000-6-2 |
| Reverse Polarity Protection | Yes |
| Short Circuit Protection | Yes |

Environmental Specifications

| | |
|-----------------------|---|
| Operating Temperature | -30 °C fixed (-22 °F), -5 °C flexible (+23 °F) - +70 °C (+158 °F) |
| Storage Temperature | -40 °C (-40 °F) - +85 °C (+185 °F) |
| Temperature Gradient | 0.004°/ K |
| Protection Class | IP66/IP67 |
| Shock Resistance | $\leq 100 \text{ g}$ (half sine 6 ms, EN 60068-2-27) |
| Vibration Resistance | 1.5 mm (10 Hz - 58 Hz) & $\leq 20 \text{ g}$ (58 Hz to 2000 Hz) |

Data Sheet

Printed at 27-09-2017 12:09

POSITAL

FRABA



Mechanical Specifications

| | |
|------------------|---|
| Housing Material | Fibre-Reinforced PBT (Polybutylene Terephthalate) |
| Potting Material | PUR (Polyurethane) |
| Weight | 800 g (1.76 lb) |

Certificates / Lifetime

| | |
|--------------|-------------------|
| MTTF | 350 years @ 40 °C |
| Certificates | CE |

Interface

| | |
|---------------------------|--|
| Interface | CANopen |
| Settling Time | 150 ms |
| Output Driver | Transceiver (ISO 11898), Galvanically Isolated by Opto-Coupl |
| Profile | DS-410 |
| Transmission Rate | min. 20 kBaud, max. 1 MBaud |
| Default Transmission Rate | 125 kBaud |
| Default Node ID | 1h |

Electrical Connection

| | |
|---------------------|---|
| Connection Type | Cable 10 m |
| Cable Length | 10 m [394"] |
| Wire Cross Section | 0.14 mm ² / AWG 26 |
| Material / Type | PVC |
| Cable Diameter | 6 mm (0.24 in) |
| Minimum Bend Radius | 46 mm (1.81") fixed, 61 mm (2.4") flexing |

Product Life Cycle

| | |
|--------------------|-------------|
| Product Life Cycle | Established |
|--------------------|-------------|

Connection Plan

| | |
|--------------|-------------|
| SIGNAL | CABLE COLOR |
| Power Supply | Red |
| GND | Yellow |
| CAN High | White |
| CAN Low | Brown |

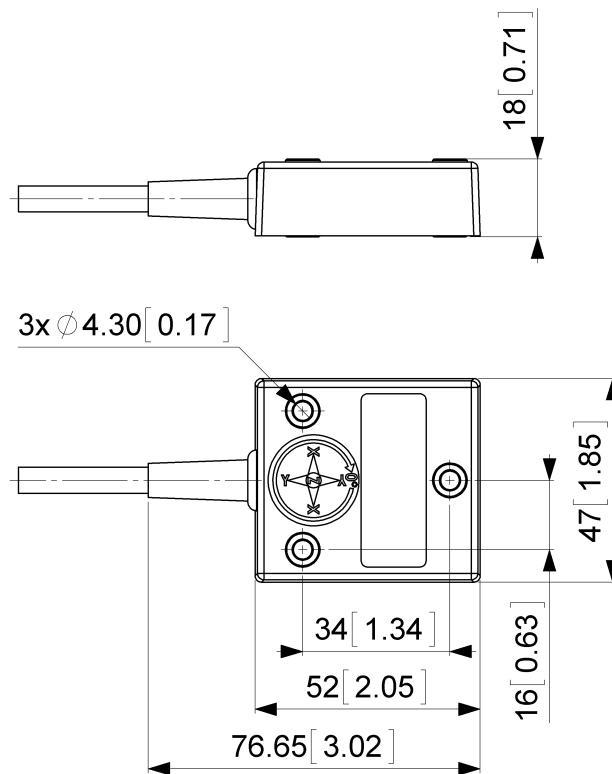
POSITAL

FRABA



| | |
|---------------|--------|
| CAN GND | Green |
| Not Connected | Blue |
| Not Connected | Gray |
| Not Connected | Pink |
| Shielding | Shield |

Dimensional Drawing



[2D Drawing](#)

Contact



POSITAL
Contact Us

Data Sheet
Printed at 27-09-2017 12:09

POSITAL

FRABA



All dimension in [inch] mm. This drawing and the information contained is for general presentation purposes only. Please refer to the "Download" section for detailed technical drawings. © FRABA B.V., All rights reserved. We do not assume responsibility for technical inaccuracies or omissions. Specifications are subject to change without notice.