



TILTIX Inclinometer

ACS-080-2-CA01-HE2-PM

POSITAL
FRABA



General Specifications

Application	2-Axes Position Monitoring and Leveling
Measurement Range	max. $\pm 80^\circ$, can be used for $\pm 60^\circ$
Absolute Accuracy	0.10°
Resolution	0.01°

Electrical Specifications

Supply Voltage	10 - 30 VDC
Current Consumption	$\leq 65 \text{ mA @ } 10 \text{ V DC}$, $\leq 60 \text{ mA @ } 24 \text{ V DC}$
EMC: Emitted Interference	DIN EN 61000-6-4
EMC: Noise Immunity	DIN EN 61000-6-2
Reverse Polarity Protection	Yes
Short Circuit Protection	Yes

Environmental Specifications

Operating Temperature	-40°C (-40°F) - $+85^\circ\text{C}$ ($+185^\circ\text{F}$)
Storage Temperature	-40°C (-40°F) - $+85^\circ\text{C}$ ($+185^\circ\text{F}$)
Temperature Gradient	$0.004^\circ/\text{K}$
Protection Class	IP66/IP67
Shock Resistance	$\leq 100 \text{ g}$ (half sine 6 ms, EN 60068-2-27)
Vibration Resistance	1.5 mm (10 Hz - 58 Hz) & $\leq 20 \text{ g}$ (58 Hz to 2000 Hz)

POSITAL

FRABA



Mechanical Specifications

Housing Material	Fibre-Reinforced PBT (Polybutylene Terephthalate)
Potting Material	PUR (Polyurethane)
Weight	100 g (0.22 lb)

Certificates / Lifetime

MTTF	350 years @ 40 °C
Certificates	CE

Interface

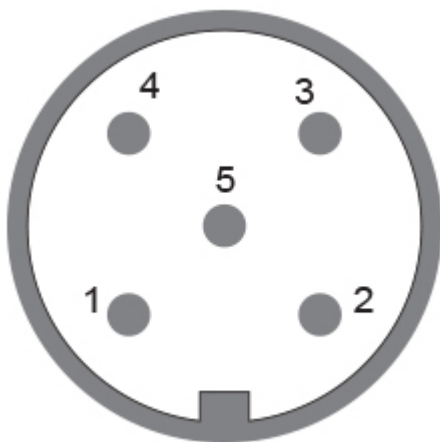
Interface	CANopen
Settling Time	150 ms
Output Driver	Transceiver (ISO 11898), Galvanically Isolated by Opto-Coupl
Profile	DS-410
Transmission Rate	min. 20 kBaud, max. 1 MBaud
Default Transmission Rate	125 kBaud
Default Node ID	1h

Electrical Connection

Connection Type	Connector M12
Connector	M12, Male, 5 pin, a coded

Product Life Cycle

Product Life Cycle	Established
--------------------	-------------

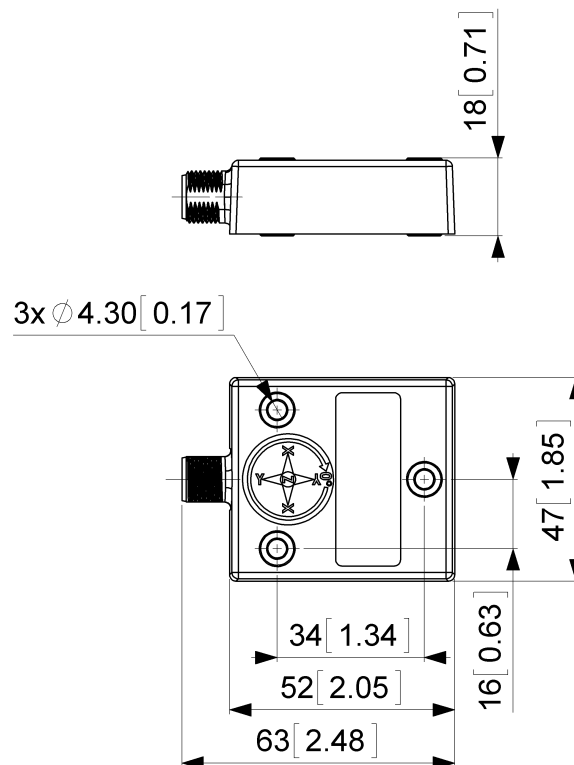




Connection Plan

SIGNAL	PIN NUMBER
Power Supply	2
GND	3
CAN High	4
CAN Low	5
CAN GND	1

Dimensional Drawing



[2D Drawing](#)

Accessories

Cable/Connectors

10m PUR Cable, 5pin, A-Coded, f

5m PUR Cable, 5pin, A-Coded, f

2m PUR Cable, 5pin, A-Coded, f

Data Sheet

Printed at 27-09-2017 12:09

POSITAL

FRABA



5m PUR Cable, 5pin, A-Coded, f
2m PUR Cable, 5pin, A-Coded, f
10m PUR Cable, 5pin, A-Coded, f
10m PUR Cable, 5pin, A-Coded, f
M12, 5pin A-Coded, Female
More

Contact



POSITAL
Contact Us

All dimension in [inch] mm. This drawing and the information contained is for general presentation purposes only. Please refer to the "Download" section for detailed technical drawings. © FRABA B.V., All rights reserved. We do not assume responsibility for technical inaccuracies or omissions. Specifications are subject to change without notice.