



TILTIX Inclinator

ACS-360-1-CA01-VE2-CW

POSITAL
FRABA



General Specifications

Application	1-Axis Position Monitoring and Leveling
Measurement Range	360°
Absolute Accuracy	0.10°
Resolution	0.01°

Electrical Specifications

Supply Voltage	10 - 30 VDC
Current Consumption	≤ 65 mA @ 10 V DC, ≤ 60 mA @ 24 V DC
EMC: Emitted Interference	DIN EN 61000-6-4
EMC: Noise Immunity	DIN EN 61000-6-2
Reverse Polarity Protection	Yes
Short Circuit Protection	Yes

Environmental Specifications

Operating Temperature	-30 °C fixed (-22 °F), -5 °C flexible (+23 °F) - +70 °C (+158 °F)
Storage Temperature	-40 °C (-40 °F) - +85 °C (+185 °F)
Temperature Gradient	0.004°/ K
Protection Class	IP66/IP67
Shock Resistance	≤ 100 g (half sine 6 ms, EN 60068-2-27)
Vibration Resistance	1.5 mm (10 Hz - 58 Hz) & ≤ 20 g (58 Hz to 2000 Hz)

Data Sheet

Printed at 27-09-2017 13:09

POSITAL

FRABA



Mechanical Specifications

Housing Material	Fibre-Reinforced PBT (Polybutylene Terephthalate)
Potting Material	PUR (Polyurethane)
Weight	170 g (0.37 lb)

Certificates / Lifetime

MTTF	350 years @ 40 °C
Certificates	CE

Interface

Interface	CANopen
Settling Time	150 ms
Output Driver	Transceiver (ISO 11898), Galvanically Isolated by Opto-Coupl
Profile	DS-410
Transmission Rate	min. 20 kBaud, max. 1 MBaud
Default Transmission Rate	125 kBaud
Default Node ID	1h

Electrical Connection

Connection Type	Cable 1 m
Cable Length	1 m [39"]
Wire Cross Section	0.14 mm ² / AWG 26
Material / Type	PVC
Cable Diameter	6 mm (0.24 in)
Minimum Bend Radius	46 mm (1.81") fixed, 61 mm (2.4") flexing

Product Life Cycle

Product Life Cycle	Established
--------------------	-------------

Connection Plan

SIGNAL	CABLE COLOR
Power Supply	Red
GND	Yellow
CAN High	White
CAN Low	Brown

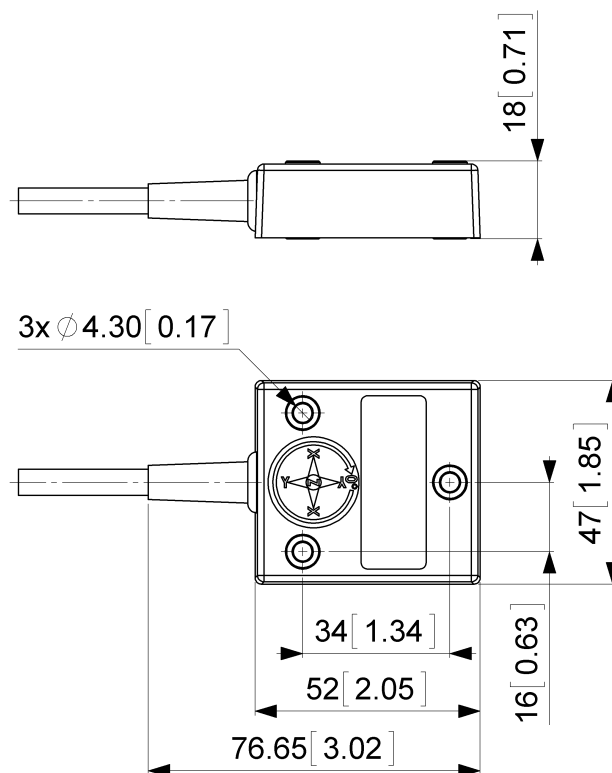
POSITAL

FRABA



CAN GND	Green
Not Connected	Blue
Not Connected	Gray
Not Connected	Pink
Shielding	Shield

Dimensional Drawing



[2D Drawing](#)

Contact



POSITAL
Contact Us

Data Sheet
Printed at 27-09-2017 13:09

POSITAL

FRABA



All dimension in [inch] mm. This drawing and the information contained is for general presentation purposes only. Please refer to the "Download" section for detailed technical drawings. © FRABA B.V., All rights reserved. We do not assume responsibility for technical inaccuracies or omissions. Specifications are subject to change without notice.