



## TILTIX Inclinometer

ACS-360-1-D101-VK2-AW

POSITAL  
FRABA



### General Specifications

|                   |   |
|-------------------|---|
| Application       | 1-Axis Position Monitoring and Leveling |
| Measurement Range | 360°                                    |
| Absolute Accuracy | 0.10°                                   |
| Resolution        | 0.01°                                   |

### Electrical Specifications

|                             |                                      |
|-----------------------------|--------------------------------------|
| Supply Voltage              | 10 - 30 VDC                          |
| Current Consumption         | ≤ 65 mA @ 10 V DC, ≤ 60 mA @ 24 V DC |
| EMC: Emitted Interference   | DIN EN 61000-6-4                     |
| EMC: Noise Immunity         | DIN EN 61000-6-2                     |
| Reverse Polarity Protection | Yes                                  |
| Short Circuit Protection    | Yes                                  |

### Environmental Specifications

|                       |  |
|-----------------------|--|
| Operating Temperature | -40 °C (-40 °F) - +80 °C (+176 °F)                 |
| Storage Temperature   | -40 °C (-40 °F) - +85 °C (+185 °F)                 |
| Temperature Gradient  | 0.004°/ K  |
| Protection Class      | IP68/IP69K   |
| Shock Resistance      | ≤ 100 g (half sine 6 ms, EN 60068-2-27)            |
| Vibration Resistance  | 1.5 mm (10 Hz - 58 Hz) & ≤ 20 g (58 Hz to 2000 Hz) |

Data Sheet

Printed at 27-09-2017 13:09

# POSITAL

---

## FRABA



### Mechanical Specifications

|                  |                         |
|------------------|-------------------------|
| Housing Material | Die-Cast Aluminum Alloy |
| Potting Material | PUR (Polyurethane)      |
| Weight           | 1720 g (3.79 lb)        |

### Certificates / Lifetime

|              |                   |
|--------------|-------------------|
| MTTF         | 350 years @ 40 °C |
| Certificates | CE                |

### Interface

|                           |  |
|---------------------------|--|
| Interface                 | DeviceNet  |
| Settling Time             | 150 ms   |
| Output Driver             | Transceiver (ISO 11898), Galvanically Isolated by Opto-Coupl |
| Transmission Rate         | 125 KBaud, 250 KBaud, 500 KBaud                              |
| Default Transmission Rate | 125 kBaud  |
| Default Node ID           | 63   |

### Electrical Connection

|                     |  |
|---------------------|--|
| Connection Type     | Cable 10 m                             |
| Cable Length        | 10 m [394"]                            |
| Wire Cross Section  | 0.34 mm <sup>2</sup> / AWG 22          |
| Material / Type     | PUR / PU                               |
| Cable Diameter      | 7.5 mm (0.30 in)                       |
| Minimum Bend Radius | 56 mm (2.2") fixed, 75 mm (3") flexing |

### Product Life Cycle

|                    |             |
|--------------------|-------------|
| Product Life Cycle | Established |
|--------------------|-------------|

### Connection Plan

|               |             |
|---------------|-------------|
| SIGNAL        | CABLE COLOR |
| Power Supply  | Red         |
| GND           | Yellow      |
| CAN High      | White       |
| CAN Low       | Brown       |
| CAN GND       | Green       |
| Not Connected | Blue        |

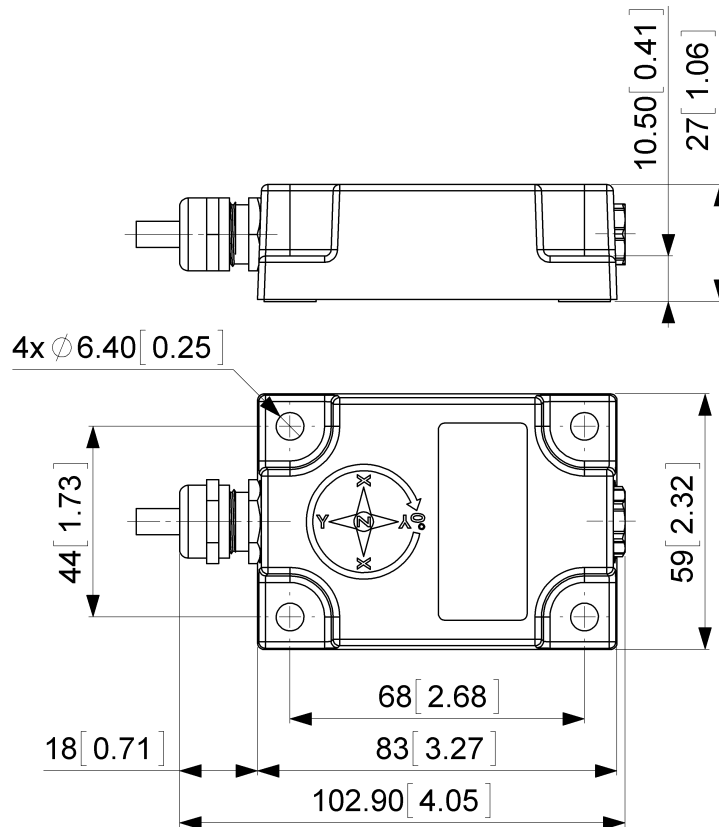
# POSITAL

## FRABA



|               |        |
|---------------|--------|
| Not Connected | Gray   |
| Not Connected | Pink   |
| Shielding     | Shield |

### Dimensional Drawing



### [2D Drawing](#)

### Contact



POSITAL  
Contact Us

Data Sheet  
Printed at 27-09-2017 13:09

# POSITAL

---

## FRABA



All dimension in [inch] mm. This drawing and the information contained is for general presentation purposes only. Please refer to the "Download" section for detailed technical drawings. © FRABA B.V., All rights reserved. We do not assume responsibility for technical inaccuracies or omissions. Specifications are subject to change without notice.