



TILTIX Inclinometer

ADS-010-2-AV10-HK2-5W

POSITAL
FRABA



General Specifications

| | |
|-------------------|---|
| Application | 2-Axes Position Monitoring and Leveling |
| Measurement Range | $\pm 10^\circ$ |
| Absolute Accuracy | 0.50° |
| Resolution | 0.01° |

Electrical Specifications

| | |
|-----------------------------|------------------|
| Supply Voltage | 10 - 30 VDC |
| Power Consumption (no load) | ≤ 0.7 W |
| EMC: Emitted Interference | DIN EN 61000-6-4 |
| EMC: Noise Immunity | DIN EN 61000-6-2 |
| Reverse Polarity Protection | Yes |
| Short Circuit Protection | Yes |

Environmental Specifications

| | |
|-----------------------|---|
| Operating Temperature | -40 °C (-40 °F) - +80 °C (+176 °F) |
| Storage Temperature | -40 °C (-40 °F) - +85 °C (+185 °F) |
| Temperature Gradient | 0.004°/ K |
| Protection Class | IP68/IP69K |
| Shock Resistance | ≤ 100 g (half sine 6 ms, EN 60068-2-27) |
| Vibration Resistance | 1.5 mm (10 Hz - 58 Hz) & ≤ 20 g (58 Hz to 2000 Hz) |

Data Sheet

Printed at 27-09-2017 13:09

POSITAL

FRABA



Mechanical Specifications

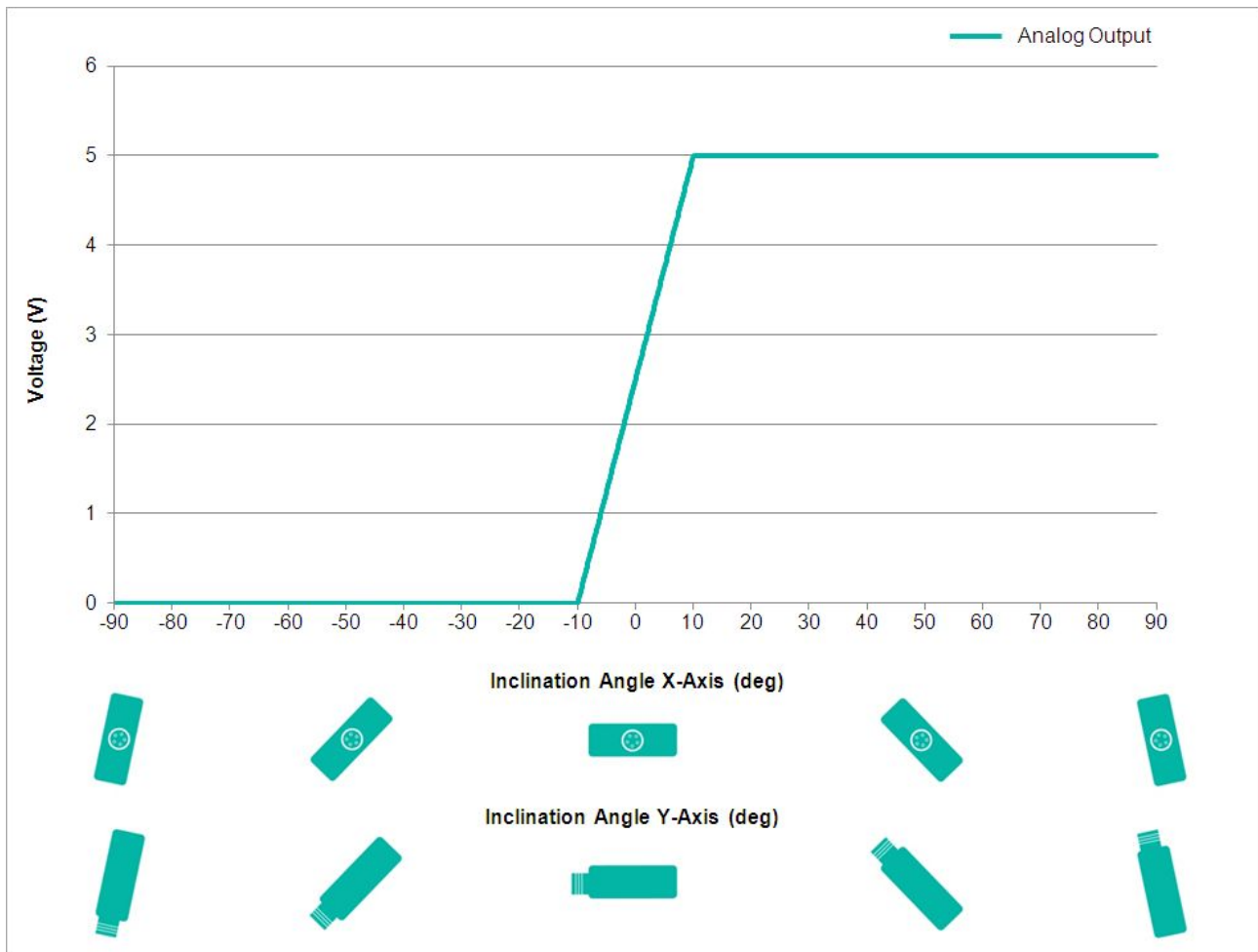
| | |
|------------------|-------------------------|
| Housing Material | Die-Cast Aluminum Alloy |
| Potting Material | PUR (Polyurethane) |
| Weight | 970 g (2.14 lb) |

Certificates / Lifetime

| | |
|--------------|-------------------|
| MTTF | 400 years @ 40 °C |
| Certificates | CE |

Interface

| | |
|---------------------|------------------------|
| Interface | Analog Voltage 0 - 5 V |
| Settling Time | 125 ms |
| Output Type | Voltage 0 - 5 V |
| Min Load Resistance | 5 k Ω |
| Linearity | $\pm 0.02\%$ |



POSITAL

FRABA



Electrical Connection

| | |
|---------------------|--|
| Connection Type | Cable 5 m |
| Cable Length | 5 m [197"] |
| Wire Cross Section | 0.34 mm ² / AWG 22 |
| Material / Type | PUR / PU |
| Cable Diameter | 7.5 mm (0.30 in) |
| Minimum Bend Radius | 56 mm (2.2") fixed, 75 mm (3") flexing |

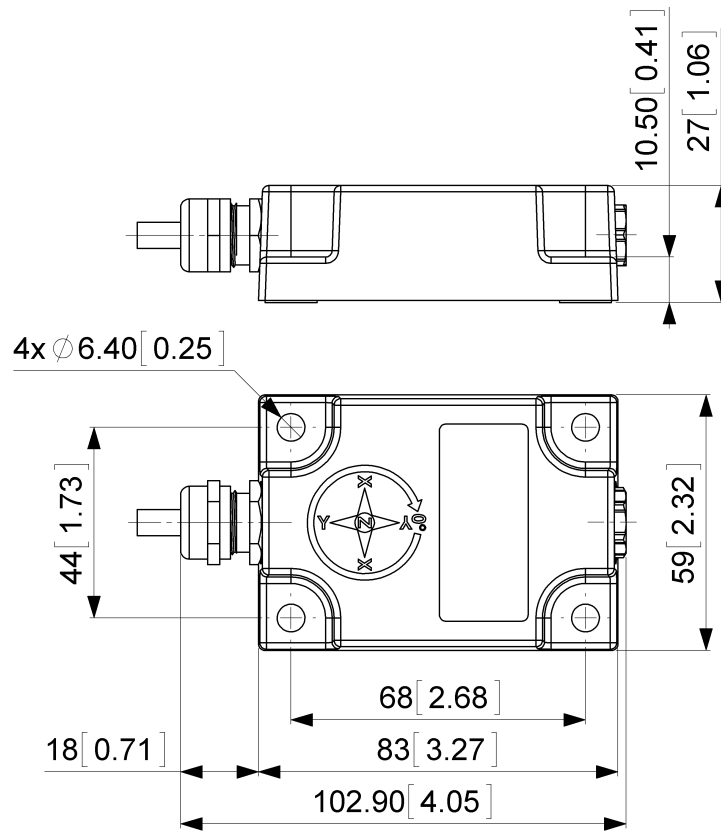
Product Life Cycle

| | |
|--------------------|-------------|
| Product Life Cycle | Established |
|--------------------|-------------|

Connection Plan

| | |
|------------------------|-------------|
| SIGNAL | CABLE COLOR |
| Power Supply | Red |
| GND | Yellow |
| X-Axis, Voltage Output | Green |
| Y-Axis, Voltage Output | Blue |
| Set1 | Brown |
| Do Not Connect | Gray |
| Do Not Connect | Pink |
| Do Not Connect | White |
| Shielding | Shield |

Dimensional Drawing



[2D Drawing](#)

Accessories

Contact



POSITAL
Contact Us

All dimension in [inch] mm. This drawing and the information contained is for general presentation purposes only. Please refer to the "Download" section for detailed technical drawings. © FRABA B.V., All rights reserved. We do not assume responsibility for technical inaccuracies or omissions. Specifications are subject to change without notice.