



TILTIX Inclinometer

ADS-060-2-AC00-HE2-PM

POSITAL
FRABA



General Specifications

| | |
|-------------------|---|
| Application | 2-Axes Position Monitoring and Leveling |
| Measurement Range | $\pm 60^\circ$ |
| Absolute Accuracy | 0.50° |
| Resolution | 0.01° |

Electrical Specifications

| | |
|-----------------------------|---|
| Supply Voltage | 10 - 30 VDC (See also Interface: Max Load Resistance) |
| Power Consumption (no load) | ≤ 0.7 W |
| EMC: Emitted Interference | DIN EN 61000-6-4 |
| EMC: Noise Immunity | DIN EN 61000-6-2 |
| Reverse Polarity Protection | Yes |
| Short Circuit Protection | Yes |

Environmental Specifications

| | |
|-----------------------|---|
| Operating Temperature | -40 °C (-40 °F) - +85 °C (+185 °F) |
| Storage Temperature | -40 °C (-40 °F) - +85 °C (+185 °F) |
| Temperature Gradient | 0.004°/ K |
| Protection Class | IP66/IP67 |
| Shock Resistance | ≤ 100 g (half sine 6 ms, EN 60068-2-27) |
| Vibration Resistance | 1.5 mm (10 Hz - 58 Hz) & ≤ 20 g (58 Hz to 2000 Hz) |

Data Sheet

Printed at 27-09-2017 13:09

POSITAL

FRABA



Mechanical Specifications

| | |
|------------------|---|
| Housing Material | Fibre-Reinforced PBT (Polybutylene Terephthalate) |
| Potting Material | PUR (Polyurethane) |
| Weight | 100 g (0.22 lb) |

Certificates / Lifetime

| | |
|--------------|-------------------|
| MTTF | 350 years @ 40 °C |
| Certificates | CE |

Interface

| | |
|---------------------|-----------------------------------|
| Interface | Analog Current 4 - 20 mA |
| Settling Time | 125 ms |
| Output Type | Current 4 - 20 mA |
| Max Load Resistance | 270 Ω @ 10 V DC (500 Ω @ 15 V DC) |
| Linearity | ± 0.02% |

POSITAL

FRABA



Electrical Connection

| | |
|-----------------|---------------------------|
| Connection Type | Connector M12 |
| Connector | M12, Male, 8 pin, a coded |

Product Life Cycle

| | |
|--------------------|-------------|
| Product Life Cycle | Established |
|--------------------|-------------|

POSITAL

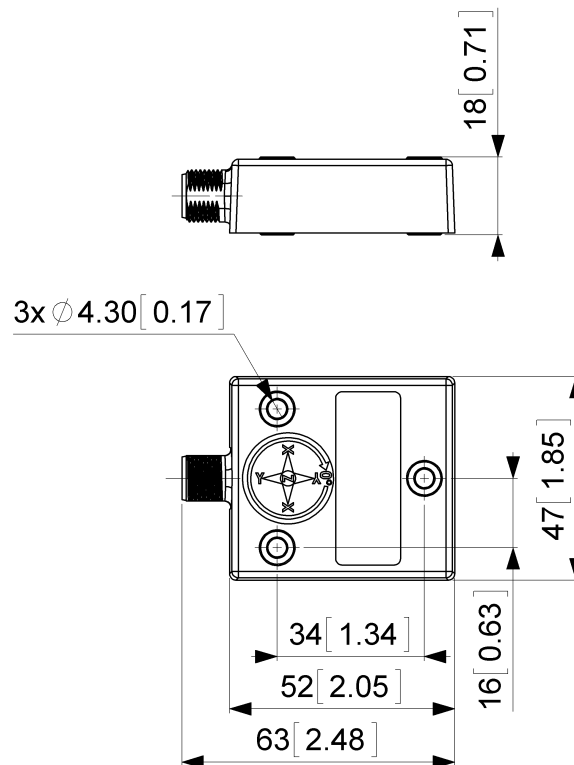
FRABA



Connection Plan

| SIGNAL | PIN NUMBER |
|------------------------|------------|
| Power Supply | 1 |
| GND | 4 |
| X-Axis, Current Output | 5 |
| Y-Axis, Current Output | 7 |
| Set1 | 6 |
| Do Not Connect | 8 |
| Do Not Connect | 2 |
| Do Not Connect | 3 |

Dimensional Drawing



[2D Drawing](#)

Accessories

Cable/Connectors

- 5m PUR Cable, 8pin, A-Coded, f
- 10m PUR Cable, 8pin, A-Coded, f
- 2m PUR Cable, 8pin, A-Coded, f
- 10m PUR Cable, 8pin, A-Coded, f
- M12, 8pin A-Coded, Female
- More

Contact

POSITAL

FRABA



POSITAL
Contact Us

All dimension in [inch] mm. This drawing and the information contained is for general presentation purposes only. Please refer to the "Download" section for detailed technical drawings. © FRABA B.V., All rights reserved. We do not assume responsibility for technical inaccuracies or omissions. Specifications are subject to change without notice.