



### IXARC Absolute Rotary Encoder

**OCD-CAA1B-0016-B100-2AW**



#### Interface

Interface	CANopen
Profile	DS-406
Programming Functions	Resolution, preset, 2 limit switches, 8 CAMS, baud rate, CAN-Identifier, bootloader, transmission modes: polled, cyclic, sync
Manual Functions	Address selector switch 0-99 and terminal resistor (with connection cap)
Features	Round Axis
Transmission Rate	min. 20 kBaud, max. 1 MBaud
Interface Cycle Time	$\geq 1$ ms
Video Manual	<a href="#">▶ Watch a simple installation video</a>

#### Outputs

Output Driver	Transceiver (ISO 11898), Galvanically Isolated by Opto-Couplers
---------------	---

#### Electrical Data

Supply Voltage	10 - 30 VDC
Current Consumption	$\leq 230$ mA @ 10 V DC, $\leq 100$ mA @ 24 V DC
Power Consumption	$\leq 2.5$ W
Start-Up Time	$< 250$ ms
Reverse Polarity Protection	Yes

Data Sheet

Printed at 27-09-2017 14:09

# POSITAL

## FRABA



Short Circuit Protection	Yes
EMC: Emitted Interference	DIN EN 61000-6-4
EMC: Noise Immunity	DIN EN 61000-6-2
MTTF	13.5 years @ 40 °C

### Sensor

Technology	Optical
Resolution Singleturn	16 bit
Accuracy (INL)	$\pm 0.0220^\circ$ (14 - 16 bit), $\pm 0.0439^\circ$ ( $\leq 13$ bit)
Code	Binary

### Environmental Specifications

Protection Class (Shaft)	IP65
Protection Class (Housing)	IP65
Operating Temperature	-30 °C fixed (-22 °F), -5 °C flexible (+23 °F) - +80 °C (+176 °F)
Storage Temperature	-40 °C (-40 °F) - +85 °C (+185 °F)
Humidity	98% RH, no condensation

### Mechanical Data

Connection Cap Material	None
Housing Material	Steel
Housing Coating	Wet coating (RAL 9006 White Aluminium) + Cathodic corrosion protection (>720 h salt spray resistance)
Flange Type	Blind Hollow, $\varnothing$ 58 mm (B)
Flange Material	Aluminum
Shaft Type	Blind Hollow, Depth = 30 mm
Shaft Diameter	$\varnothing$ 10 mm (0.39")
Shaft Material	Stainless Steel V2A (1.4305, 303)
Rotor Inertia	$\leq 30 \text{ gcm}^2$ [ $\leq 0.17 \text{ oz-in}^2$ ]
Friction Torque	$\leq 3 \text{ Ncm}$ @ 20 °C (4.2 oz-in @ 68 °F)
Max. Permissible Mechanical Speed	$\leq 12000 \text{ 1/min}$
Shock Resistance	$\leq 100 \text{ g}$ (half sine 6 ms, EN 60068-2-27)
Permanent Shock Resistance	$\leq 10 \text{ g}$ (half sine 16 ms, EN 60068-2-29)
Vibration Resistance	$\leq 10 \text{ g}$ (10 Hz - 1000 Hz, EN 60068-2-6)
Length	71,2 mm (2.80")
Weight	445 g (0.98 lb)

Data Sheet

Printed at 27-09-2017 14:09

# POSITAL

---

## FRABA



### Electrical Connection

Connection Orientation	Axial
Connection Type	Cable / Connector
Cable Length	2 m [79"]
Wire Cross Section	0.14 mm <sup>2</sup> / AWG 26
Material / Type	PVC
Cable Diameter	6 mm (0.24 in)
Minimum Bend Radius	46 mm (1.81") fixed, 61 mm (2.4") flexing

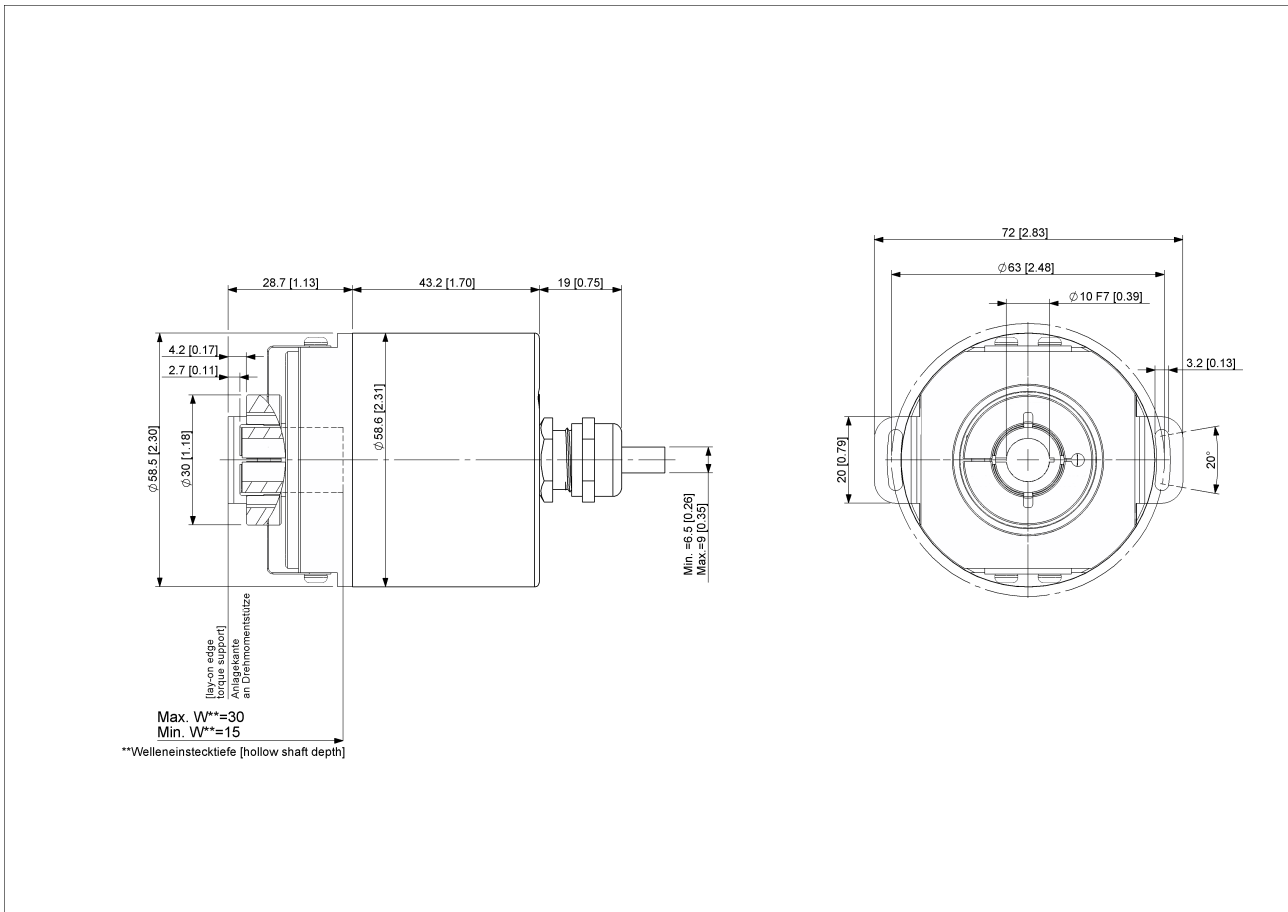
### Certification

Approval	CE + cULus listed, Industrial Control Equipment
Product Life Cycle	Established

### Connection Plan

SIGNAL	CABLE COLOR
Power Supply	White
GND	Brown
CAN High	Yellow
CAN Low	Pink
CAN GND	Green

Connector-View on Encoder



### [2D Drawing](#)

### Accessories

Clamping Ring B15

### Contact



POSITAL  
Contact Us

The picture and drawing are for general presentation purposes only. Please refer to the "Download" section for detailed technical drawings. All dimension in [inch] mm. © FRABA B.V., All rights reserved. We do not assume responsibility for technical inaccuracies or omissions.

Data Sheet

Printed at 27-09-2017 14:09

# POSITAL

---

## FRABA



Specifications are subject to change without notice.