



IXARC Absolute Rotary Encoder

OCD-CAA1B-0016-B10S-H72



Interface

Interface	CANopen
Profile	DS-406
Programming Functions	Resolution, preset, 2 limit switches, 8 CAMS, baud rate, CAN-Identifier, bootloader, transmission modes: polled, cyclic, sync
Manual Functions	Address selector switch 0-99 and terminal resistor (with connection cap)
Features	Round Axis
Transmission Rate	min. 20 kBaud, max. 1 MBaud
Interface Cycle Time	≥ 1 ms
Video Manual	▶ Watch a simple installation video

Outputs

Output Driver	Transceiver (ISO 11898), Galvanically Isolated by Opto-Couplers
---------------	-----------------------------------------------------------------

Electrical Data

Supply Voltage	10 - 30 VDC
Current Consumption	≤ 230 mA @ 10 V DC, ≤ 100 mA @ 24 V DC
Power Consumption	≤ 2.5 W
Start-Up Time	< 250 ms
Reverse Polarity Protection	Yes

Data Sheet

Printed at 27-09-2017 14:09

POSITAL

FRABA



Short Circuit Protection	Yes
EMC: Emitted Interference	DIN EN 61000-6-4
EMC: Noise Immunity	DIN EN 61000-6-2
MTTF	13.5 years @ 40 °C

Sensor

Technology	Optical
Resolution Singleturn	16 bit
Accuracy (INL)	$\pm 0.0220^\circ$ (14 - 16 bit), $\pm 0.0439^\circ$ (≤ 13 bit)
Code	Binary

Environmental Specifications

Protection Class (Shaft)	IP66/IP67
Protection Class (Housing)	IP66/IP67
Operating Temperature	-40 °C (-40 °F) - +85 °C (+185 °F)
Storage Temperature	-40 °C (-40 °F) - +85 °C (+185 °F)
Humidity	98% RH, no condensation

Mechanical Data

Connection Cap Material	Aluminum
Housing Material	Steel
Housing Coating	Cathodic corrosion protection (>720 hrs salt spray resistance)
Flange Type	Blind Hollow, \varnothing 58 mm (B)
Flange Material	Aluminum
Shaft Type	Blind Hollow, Depth = 30 mm
Shaft Diameter	\varnothing 10 mm (0.39")
Shaft Material	Stainless Steel V2A (1.4305, 303)
Rotor Inertia	≤ 30 gcm ² [≤ 0.17 oz-in ²]
Friction Torque	≤ 5 Ncm @ 20 °C, (7.1 oz-in @ 68 °F)
Max. Permissible Mechanical Speed	≤ 3000 1/min
Shock Resistance	≤ 100 g (half sine 6 ms, EN 60068-2-27)
Permanent Shock Resistance	≤ 10 g (half sine 16 ms, EN 60068-2-29)
Vibration Resistance	≤ 10 g (10 Hz - 1000 Hz, EN 60068-2-6)
Length	88 mm (3.46")
Weight	485 g (1.07 lb)

POSITAL

FRABA

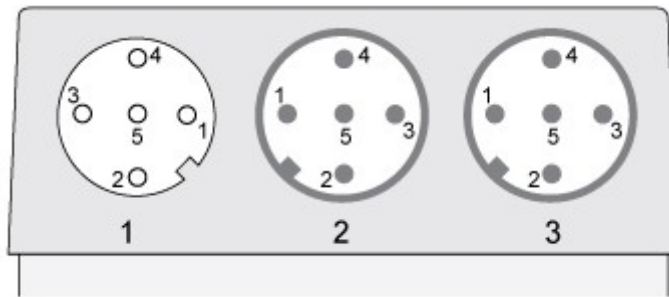


Electrical Connection

Connection Orientation	Radial
Connection Type	3 x M12 Connector (CAN/DeviceNet)
Connector 1	M12, Female, 5 pin, a coded
Connector 2	M12, Male, 5 pin, a coded
Connector 3	M12, Male, 5 pin, a coded

Certification

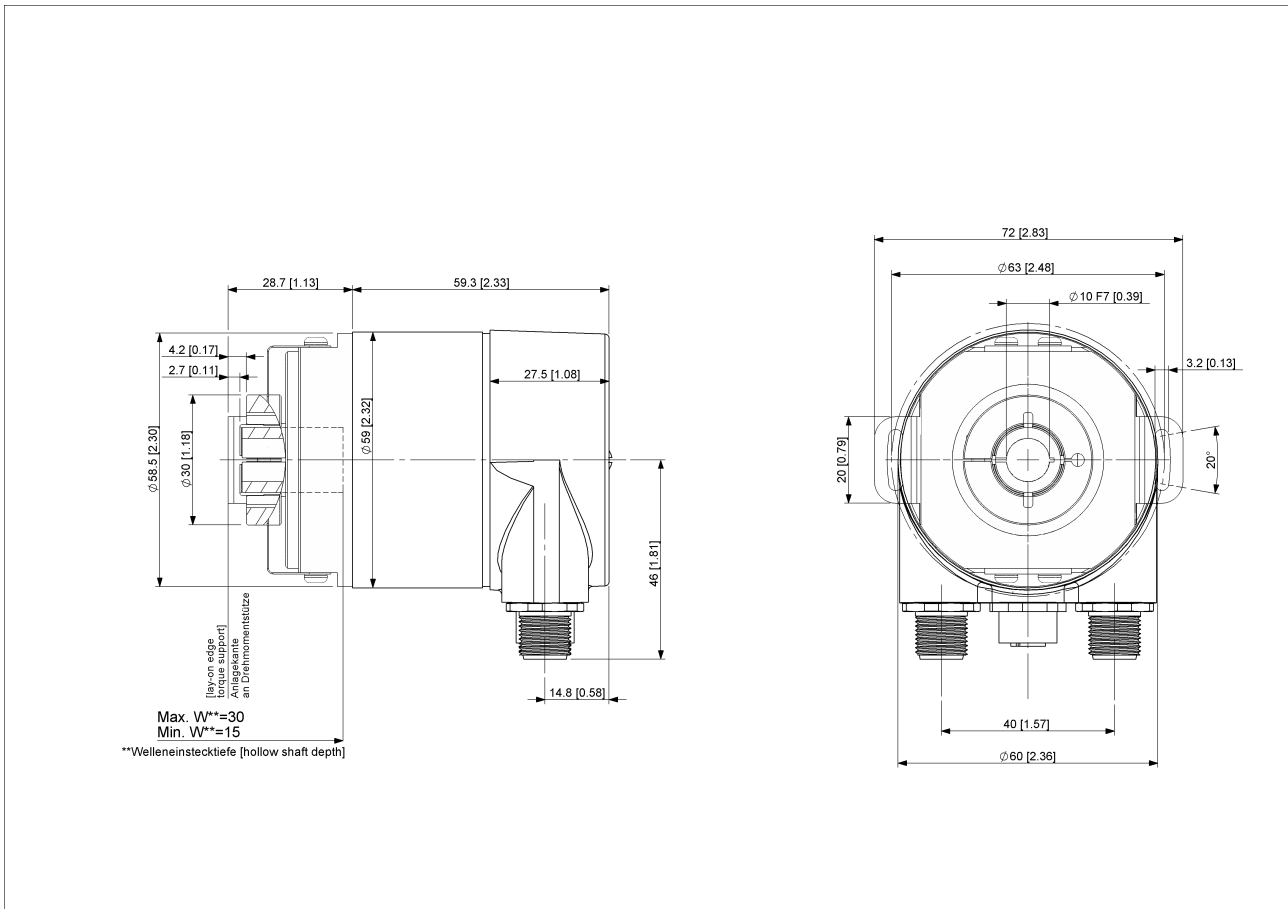
Approval	CE + cULus listed, Industrial Control Equipment
Product Life Cycle	Established



Connection Plan

SIGNAL	CONNECTOR	PIN NUMBER
CAN GND	Connector 1	1
Not Connected	Connector 1	2
Not Connected	Connector 1	3
CAN High	Connector 1	4
CAN Low	Connector 1	5
Power Supply	Connector 2	1
Power Supply	Connector 2	2
GND	Connector 2	3
GND	Connector 2	4
Not Connected	Connector 2	5
CAN GND	Connector 3	1
Not Connected	Connector 3	2
Not Connected	Connector 3	3
CAN High	Connector 3	4
CAN Low	Connector 3	5

Connector-View on Encoder



[2D Drawing](#)

Accessories

Connectors & Cables

M12, 5pin A-Coded, Male

10m PUR Cable, 5pin, A-Coded, f

2m PUR Cable, 5pin, A-Coded, f

5m PUR Cable, 5pin, A-Coded, f

2m PUR Cable, 5pin, A-Coded, m

5m PUR Cable, 5pin, A-Coded, m

10m PUR Cable, 5pin, A-Coded, m

M12, 5pin A-Coded, Female

More

Clamping Ring B15

Contact

Data Sheet

Printed at 27-09-2017 14:09

POSITAL

FRABA



POSITAL
Contact Us

The picture and drawing are for general presentation purposes only. Please refer to the "Download" section for detailed technical drawings. All dimension in [inch] mm. © FRABA B.V., All rights reserved. We do not assume responsibility for technical inaccuracies or omissions. Specifications are subject to change without notice.