



IXARC Absolute Rotary Encoder

OCD-CAA1B-1416-C06S-H2B



Interface

Interface	CANopen
Profile	DS-406
Programming Functions	Resolution, preset, 2 limit switches, 8 CAMS, baud rate, CAN-Identifier, bootloader, transmission modes: polled, cyclic, sync
Manual Functions	Address selector switch 0-99 and terminal resistor (with connection cap)
Features	Round Axis
Transmission Rate	min. 20 kBaud, max. 1 MBaud
Interface Cycle Time	≥ 1 ms
Video Manual	▶ Watch a simple installation video

Outputs

Output Driver	Transceiver (ISO 11898), Galvanically Isolated by Opto-Couplers
---------------	---

Electrical Data

Supply Voltage	10 - 30 VDC
Current Consumption	≤ 230 mA @ 10 V DC, ≤ 100 mA @ 24 V DC
Power Consumption	≤ 2.5 W
Start-Up Time	< 250 ms
Reverse Polarity Protection	Yes

Data Sheet

Printed at 27-09-2017 14:09

POSITAL

FRABA



Short Circuit Protection	Yes
EMC: Emitted Interference	DIN EN 61000-6-4
EMC: Noise Immunity	DIN EN 61000-6-2
MTTF	13.5 years @ 40 °C

Sensor

Technology	Optical
Resolution Singleturn	16 bit
Resolution Multiturn	14 bit
Multiturn Technology	Mechanical Gearing (no Battery)
Accuracy (INL)	$\pm 0.0220^\circ$ (14 - 16 bit), $\pm 0.0439^\circ$ (≤ 13 bit)
Code	Binary

Environmental Specifications

Protection Class (Shaft)	IP66/IP67
Protection Class (Housing)	IP66/IP67
Operating Temperature	-40 °C (-40 °F) - +85 °C (+185 °F)
Storage Temperature	-40 °C (-40 °F) - +85 °C (+185 °F)
Humidity	98% RH, no condensation

Mechanical Data

Connection Cap Material	Aluminum
Housing Material	Steel
Housing Coating	Wet coating (RAL 9006 White Aluminium) + Cathodic corrosion protection (>720 h salt spray resistance)
Flange Type	Clamp, \varnothing 58 mm (C)
Flange Material	Aluminum
Shaft Type	Solid, Length = 10 mm
Shaft Diameter	\varnothing 6 mm (0.24")
Shaft Material	Stainless Steel V2A (1.4305, 303)
Max. Shaft Load	Axial 40 N, Radial 110 N
Minimum Mechanical Lifetime (10 ⁸ revolutions with Fa/Fr)	530 (20 N / 40 N), 185 (40 N / 60 N), 130 (40 N / 80 N), 80 (40 N / 110 N)
Rotor Inertia	≤ 30 gcm ² [≤ 0.17 oz-in ²]
Friction Torque	≤ 5 Ncm @ 20 °C, (7.1 oz-in @ 68 °F)
Max. Permissible Mechanical Speed	≤ 3000 1/min
Shock Resistance	≤ 100 g (half sine 6 ms, EN 60068-2-27)

Data Sheet

Printed at 27-09-2017 14:09

POSITAL

FRABA



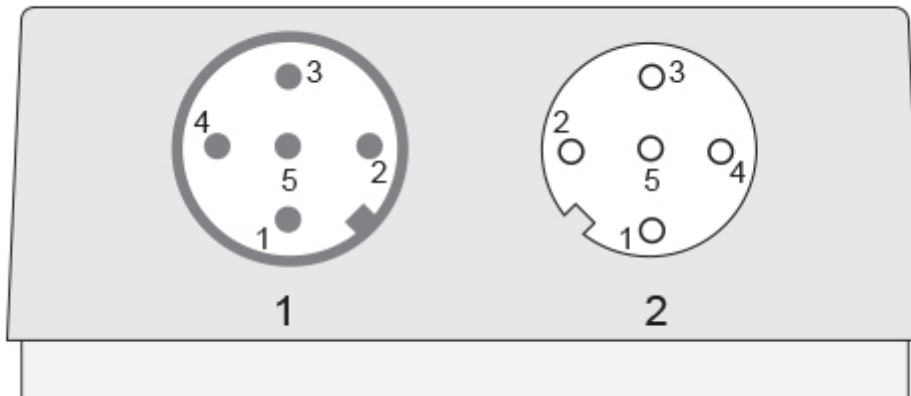
Permanent Shock Resistance	≤ 10 g (half sine 16 ms, EN 60068-2-29)
Vibration Resistance	≤ 10 g (10 Hz - 1000 Hz, EN 60068-2-6)
Length	81,5 mm (3.21")
Weight	465 g (1.03 lb)

Electrical Connection

Connection Orientation	Radial
Connection Type	2 x M12 Connector

Certification

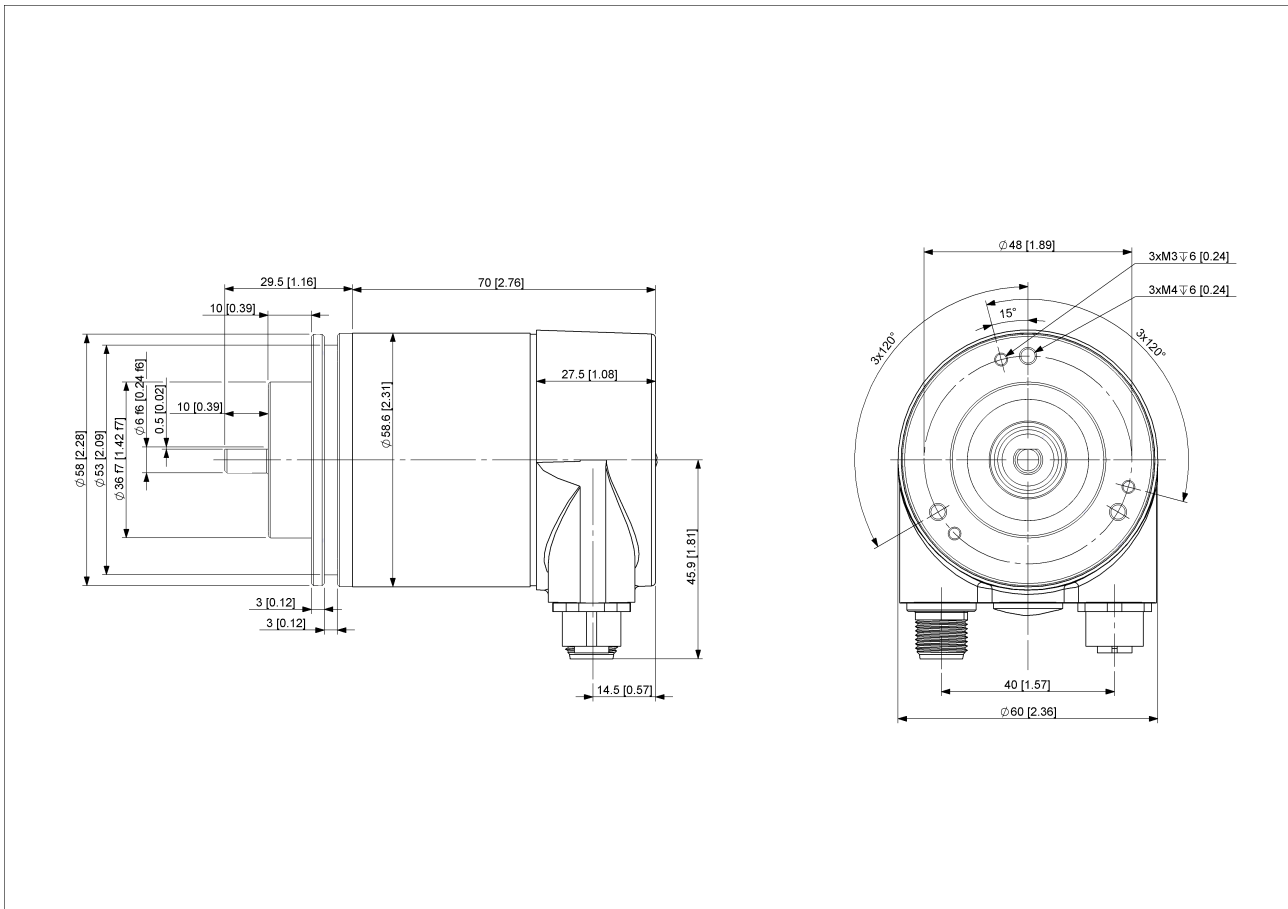
Approval	CE + cULus listed, Industrial Control Equipment
Product Life Cycle	Established



Connection Plan

SIGNAL	CONNECTOR	PIN NUMBER
Power Supply	Connector 1	2
GND	Connector 1	3
CAN High	Connector 1	4
CAN Low	Connector 1	5
CAN GND	Connector 1	1
Power Supply	Connector 2	2
GND	Connector 2	3
CAN High	Connector 2	4
CAN Low	Connector 2	5
CAN GND	Connector 2	1

Connector-View on Encoder



[2D Drawing](#)

Accessories

Connectors & Cables

M12, 5pin A-Coded, Male

10m PUR Cable, 5pin, A-Coded, f

2m PUR Cable, 5pin, A-Coded, f

5m PUR Cable, 5pin, A-Coded, f

2m PUR Cable, 5pin, A-Coded, m

5m PUR Cable, 5pin, A-Coded, m

10m PUR Cable, 5pin, A-Coded, m

M12, 5pin A-Coded, Female

More

Clamp Disc w/ Eccentric Hole-4pcs

Clamp Disc w/ Centred Hole-4pcs

Coupling Bellow Type-06-06

Data Sheet

Printed at 27-09-2017 14:09



Coupling Bellow Type-06-10
Coupling Bellow Type-06-08
Coupling Bellow Type-06-(3/8")
Coupling Bellow Type-06-(1/4")
Coupling Jaw Type-06-06
Coupling Jaw Type-06-10
Coupling Jaw Type-06-08
Coupling Jaw Type-06-12
Coupling Jaw Type-06-(1/4")
Coupling Jaw Type-06-(3/8")
Coupling Disc Type-06-06
Coupling Disc Type-06-10
More

Mounting Bracket for Clamping Flange w/ fixtures
L Mounting Bracket w/ screws
Mounting Bracket Spring Loaded f. Clamping Flange

Contact



POSITAL
Contact Us

The picture and drawing are for general presentation purposes only. Please refer to the "Download" section for detailed technical drawings. All dimension in [inch] mm. © FRABA B.V., All rights reserved. We do not assume responsibility for technical inaccuracies or omissions. Specifications are subject to change without notice.