



### IXARC Absolute Rotary Encoder

### OCD-CAA1B-1416-C10S-H2M



#### Interface

Interface	CANopen
Profile	DS-406
Programming Functions	Resolution, preset, 2 limit switches, 8 CAMS, baud rate, CAN-Identifier, bootloader, transmission modes: polled, cyclic, sync
Manual Functions	Address selector switch 0-99 and terminal resistor (with connection cap)
Features	Round Axis
Transmission Rate	min. 20 kBaud, max. 1 MBaud
Interface Cycle Time	$\geq 1$ ms
Video Manual	<a href="#">▶ Watch a simple installation video</a>

#### Outputs

Output Driver	Transceiver (ISO 11898), Galvanically Isolated by Opto-Couplers
---------------	---

#### Electrical Data

Supply Voltage	10 - 30 VDC
Current Consumption	$\leq 230$ mA @ 10 V DC, $\leq 100$ mA @ 24 V DC
Power Consumption	$\leq 2.5$ W
Start-Up Time	$< 250$ ms
Reverse Polarity Protection	Yes

Data Sheet

Printed at 27-09-2017 14:09

# POSITAL

## FRABA



Short Circuit Protection	Yes
EMC: Emitted Interference	DIN EN 61000-6-4
EMC: Noise Immunity	DIN EN 61000-6-2
MTTF	13.5 years @ 40 °C

### Sensor

Technology	Optical
Resolution Singleturn	16 bit
Resolution Multiturn	14 bit
Multiturn Technology	Mechanical Gearing (no Battery)
Accuracy (INL)	$\pm 0.0220^\circ$ (14 - 16 bit), $\pm 0.0439^\circ$ ( $\leq 13$ bit)
Code	Binary

### Environmental Specifications

Protection Class (Shaft)	IP66/IP67
Protection Class (Housing)	IP66/IP67
Operating Temperature	-40 °C (-40 °F) - +85 °C (+185 °F)
Storage Temperature	-40 °C (-40 °F) - +85 °C (+185 °F)
Humidity	98% RH, no condensation

### Mechanical Data

Connection Cap Material	Aluminum
Housing Material	Steel
Housing Coating	Wet coating (RAL 9006 White Aluminium) + Cathodic corrosion protection (>720 h salt spay resistance)
Flange Type	Clamp, $\varnothing$ 58 mm (C)
Flange Material	Aluminum
Shaft Type	Solid, Single Flat, Length = 20 mm
Shaft Diameter	$\varnothing$ 10 mm (0.39")
Shaft Material	Stainless Steel V2A (1.4305, 303)
Max. Shaft Load	Axial 40 N, Radial 110 N
Minimum Mechanical Lifetime ( $10^8$ revolutions with Fa/Fr)	430 (20 N / 40 N), 150 (40 N / 60 N), 100 (40 N / 80 N), 55 (40 N / 110 N)
Rotor Inertia	$\leq 30$ gcm <sup>2</sup> [ $\leq 0.17$ oz-in <sup>2</sup> ]
Friction Torque	$\leq 5$ Ncm @ 20 °C, (7.1 oz-in @ 68 °F)
Max. Permissible Mechanical Speed	$\leq 3000$ 1/min
Shock Resistance	$\leq 100$ g (half sine 6 ms, EN 60068-2-27)

Data Sheet

Printed at 27-09-2017 14:09

# POSITAL

## FRABA



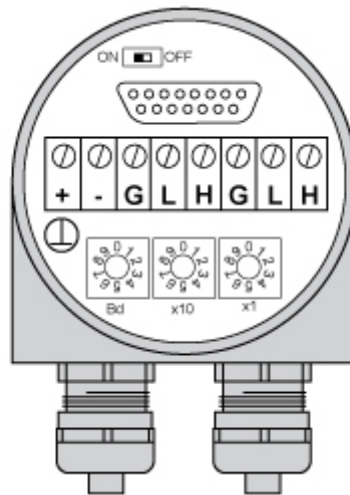
Permanent Shock Resistance	≤ 10 g (half sine 16 ms, EN 60068-2-29)
Vibration Resistance	≤ 10 g (10 Hz - 1000 Hz, EN 60068-2-6)
Length	81,5 mm (3.21")
Weight	525 g (1.16 lb)

### Electrical Connection

Connection Orientation	Radial
Connection Type	2 x M20 Cable Glands

### Certification

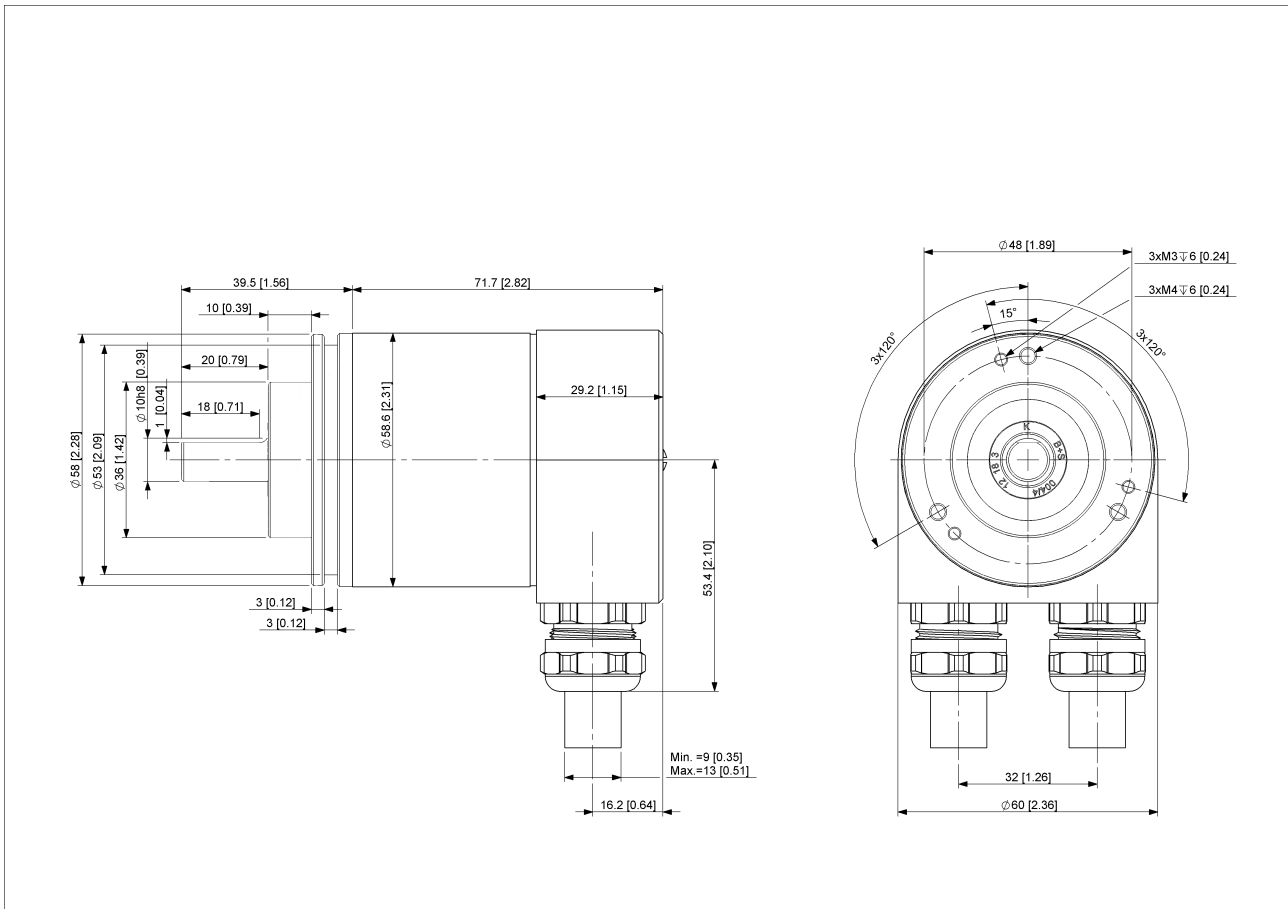
Approval	CE + cULus listed, Industrial Control Equipment
Product Life Cycle	Established



### Connection Plan

SIGNAL	PIN NUMBER
Power Supply	+
GND	-
CAN High	H
CAN Low	L
CAN GND	G
CAN High	H
CAN Low	L
CAN GND	G

Connector-View on Encoder



### [2D Drawing](#)

### Accessories

Clamp Disc w/ Eccentric Hole-4pcs  
Clamp Disc w/ Centred Hole-4pcs

- Coupling Disc Type-10-12
- Coupling Bellow Type-10-10
- Coupling Bellow Type-06-10
- Coupling Bellow Type-08-10
- Coupling Bellow Type-10-12
- Coupling Bellow Type-10-(1/4")
- Coupling Bellow Type-10-(3/8")
- Coupling Jaw Type-06-10
- Coupling Jaw Type-08-10
- Coupling Jaw Type-10-12
- Coupling Jaw Type-10-(1/4")
- Coupling Jaw Type-10-(3/8")

Data Sheet  
Printed at 27-09-2017 14:09



Coupling Jaw Type-10-10  
Coupling Disc Type-06-10  
Coupling Disc Type-10-10  
More

Mounting Bracket for Clamping Flange w/ fixtures  
L Mounting Bracket w/ screws  
Mounting Bracket Spring Loaded f. Clamping Flange

### Contact



POSITAL  
Contact Us

The picture and drawing are for general presentation purposes only. Please refer to the "Download" section for detailed technical drawings.  
All dimension in [inch] mm. © FRABA B.V., All rights reserved. We do not assume responsibility for technical inaccuracies or omissions.  
Specifications are subject to change without notice.