



IXARC Absolute Rotary Encoder

OCD-DPC1B-1416-B060-H72



Interface

Interface	Profibus DP
Profile	DPV0, DPV1 and DPV2 Class 2 (EN50170 + EN50254)
Diagnostics	Memory
Programming Functions	Resolution, gearing factor (physical resolution) , velocity scaling + filter, preset (zero point), counting direction, limit switches , node number, teach-in, diagnosis
Manual Functions	Address selector switch 0-99 and terminal resistor (with connection cap)
Features	Round Axis
Transmission Rate	≤12 Mbaud
Interface Cycle Time	≥ 1 ms

Outputs

Output Driver	Profibus Data Interface, galvanically isolated via opto-couplers
---------------	------------------------------------------------------------------

Electrical Data

Supply Voltage	10 - 30 VDC
Current Consumption	≤ 115 mA @ 10 V DC, ≤ 50 mA @ 30 V DC
Power Consumption	≤ 1.5 W
Start-Up Time	< 1 s

Data Sheet

Printed at 27-09-2017 15:09

POSITAL

FRABA



Reverse Polarity Protection	Yes
Short Circuit Protection	Yes
EMC: Emitted Interference	DIN EN 61000-6-4
EMC: Noise Immunity	DIN EN 61000-6-2
MTTF	13.5 years @ 40 °C

Sensor

Technology	Optical
Resolution Singleturn	16 bit
Resolution Multiturn	14 bit
Multiturn Technology	Mechanical Gearing (no Battery)
Accuracy (INL)	±0.0220° (14 - 16 bit), ±0.0439° (≤13 bit)
Code	Binary

Environmental Specifications

Protection Class (Shaft)	IP65
Protection Class (Housing)	IP65
Operating Temperature	-40 °C (-40 °F) - +85 °C (+185 °F)
Storage Temperature	-40 °C (-40 °F) - +85 °C (+185 °F)
Humidity	98% RH, no condensation

Mechanical Data

Connection Cap Material	Aluminum
Housing Material	Steel
Housing Coating	Wet coating (RAL 9006 White Aluminium) + Cathodic corrosion protection (>720 h salt spray resistance)
Flange Type	Blind Hollow, ø 58 mm (B)
Flange Material	Aluminum
Shaft Type	Blind Hollow, Depth = 30 mm
Shaft Diameter	ø 6 mm (0.24")
Shaft Material	Stainless Steel V2A (1.4305, 303)
Rotor Inertia	≤ 30 gcm ² [≤ 0.17 oz-in ²]
Friction Torque	≤ 3 Ncm @ 20 °C (4.2 oz-in @ 68 °F)
Max. Permissible Mechanical Speed	≤ 12000 1/min
Shock Resistance	≤ 100 g (half sine 6 ms, EN 60068-2-27)
Permanent Shock Resistance	≤ 10 g (half sine 16 ms, EN 60068-2-29)

Data Sheet

Printed at 27-09-2017 15:09

POSITAL

FRABA



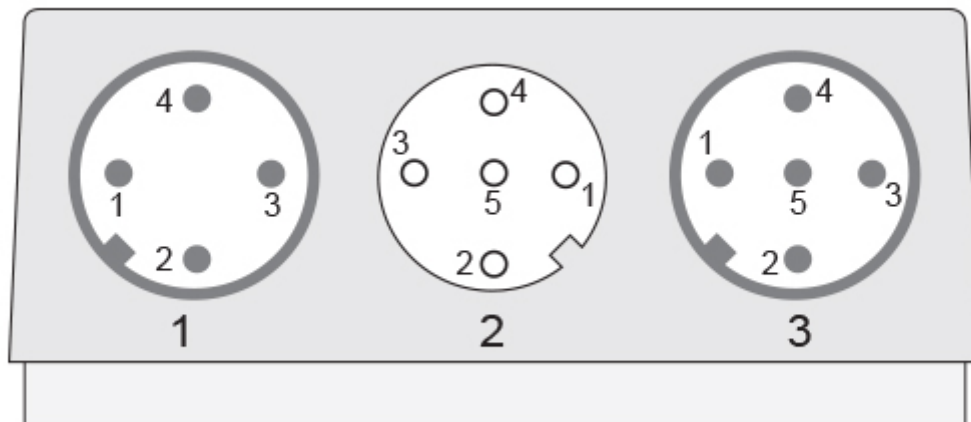
Vibration Resistance	≤ 10 g (10 Hz - 1000 Hz, EN 60068-2-6)
Length	99 mm (3.90")
Weight	510 g (1.12 lb)

Electrical Connection

Connection Orientation	Radial
Connection Type	3 x M12 Connector (Profibus)
Connection Cap Type	Rotary switches with visible node number, No active components, Terminal resistor switch cut the outgoing bus too
Connector 1	M12, Male, 4 pin, a coded
Connector 2	M12, Female, 5 pin, b coded
Connector 3	M12, Male, 5 pin, b coded

Certification

Approval	CE + cULus listed, Industrial Control Equipment
Product Life Cycle	Established



Connection Plan

SIGNAL	CONNECTOR	PIN NUMBER
Power Supply	Connector 1	1
Not Connected	Connector 1	2
GND	Connector 1	3
Not Connected	Connector 1	4
Not Connected	Connector 2	1
Bus line A (Bus out)	Connector 2	2
Not Connected	Connector 2	3
Bus line B (Bus out)	Connector 2	4
Not Connected	Connector 2	5
Not Connected	Connector 3	1
Bus line A (Bus in)	Connector 3	2

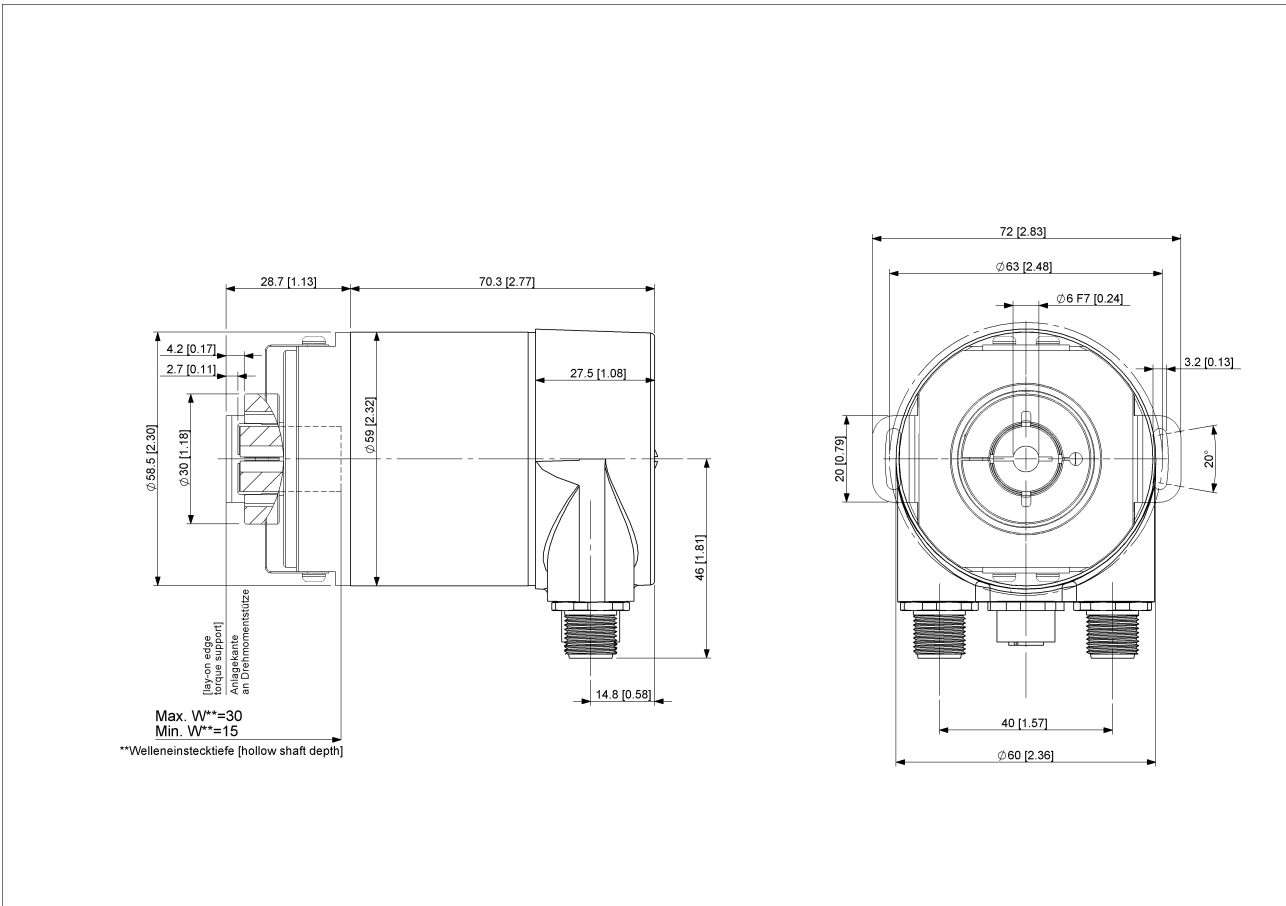
Data Sheet

Printed at 27-09-2017 15:09



Not Connected	Connector 3	3
Bus line B (Bus in)	Connector 3	4
Not Connected	Connector 3	5

Connector-View on Encoder



[2D Drawing](#)

Accessories

Connectors & Cables

- 10m PUR Cable, 5pin, A-Coded, f
- 2m PUR Cable, 5pin, A-Coded, f
- 5m PUR Cable, 5pin, A-Coded, f
- M12, 4pin A-Coded, Female
- Profibus Termination Resistor-M12S-M04B-PL
- M12, 5pin B-Coded, Female
- M12, 5pin B-Coded, Male
- 2m PUR Cable, 5pin, B-Coded, m
- 5m PUR Cable, 5pin, B-Coded, m
- 10m PUR Cable, 5pin, B-Coded, m

Data Sheet

Printed at 27-09-2017 15:09



2m PUR Cable, 5pin, B-Coded, f
5m PUR Cable, 5pin, B-Coded, f
10m PUR Cable, 5pin, B-Coded, f
More

Clamping Ring B15

Contact



POSITAL
Contact Us

The picture and drawing are for general presentation purposes only. Please refer to the "Download" section for detailed technical drawings. All dimension in [inch] mm. © FRABA B.V., All rights reserved. We do not assume responsibility for technical inaccuracies or omissions. Specifications are subject to change without notice.