



### IXARC Absolute Rotary Encoder

**OCD-EIB1B-0016-SA10-PRM**



#### Interface

Interface	Profinet
Profile	Profidrive Profile 4.x, Encoder Profile 4.x
Diagnostics	Memory
Programming Functions	Resolution, time base and filter for velocity, preset, counting direction, IP-Address
Features	Boot-Loader, Round Axis, Flashing LEDs
Transmission Rate	10 / 100 Mbit
Interface Cycle Time	≥ 1 ms

#### Outputs

Output Driver	Ethernet
---------------	----------

#### Electrical Data

Supply Voltage	10 - 30 VDC
Current Consumption	≤ 230 mA @ 10 V DC, ≤ 100 mA @ 24 V DC
Power Consumption	≤ 2.5 W
Start-Up Time	< 250 ms
Reverse Polarity Protection	Yes
Short Circuit Protection	Yes
EMC: Emitted Interference	DIN EN 61000-6-4
EMC: Noise Immunity	DIN EN 61000-6-2

Data Sheet

Printed at 27-09-2017 15:09

# POSITAL

## FRABA



MTTF	65 years @ 40 °C
------	------------------

### Sensor

Technology	Optical
Resolution Singleturn	16 bit
Accuracy (INL)	±0.0220° (14 - 16 bit), ±0.0439° (≤13 bit)
Code	Binary

### Environmental Specifications

Protection Class (Shaft)	IP65
Protection Class (Housing)	IP65
Operating Temperature	-40 °C (-40 °F) - +85 °C (+185 °F)
Storage Temperature	-40 °C (-40 °F) - +85 °C (+185 °F)
Humidity	98% RH, no condensation

### Mechanical Data

Housing Material	Steel
Housing Coating	Wet coating (RAL 9006 White Aluminium) + Cathodic corrosion protection (>720 h salt spray resistance)
Flange Type	Synchro, ø 58 mm (S)
Flange Material	Aluminum
Shaft Type	Solid, Double Flat, Length = 10 mm
Shaft Diameter	ø 6 mm (0.24")
Shaft Material	Stainless Steel V2A (1.4305, 303)
Max. Shaft Load	Axial 40 N, Radial 110 N
Minimum Mechanical Lifetime (10 <sup>8</sup> revolutions with Fa/Fr)	400 (20 N / 40 N)
Rotor Inertia	≤ 30 gcm <sup>2</sup> [≤ 0.17 oz-in <sup>2</sup> ]
Friction Torque	≤ 3 Ncm @ 20 °C (4.2 oz-in @ 68 °F)
Max. Permissible Mechanical Speed	≤ 12000 1/min
Shock Resistance	≤ 100 g (half sine 6 ms, EN 60068-2-27)
Permanent Shock Resistance	≤ 10 g (half sine 16 ms, EN 60068-2-29)
Vibration Resistance	≤ 10 g (10 Hz - 1000 Hz, EN 60068-2-6)
Length	73 mm (2.87")
Weight	355 g (0.78 lb)

### Electrical Connection

Data Sheet

Printed at 27-09-2017 15:09

# POSITAL

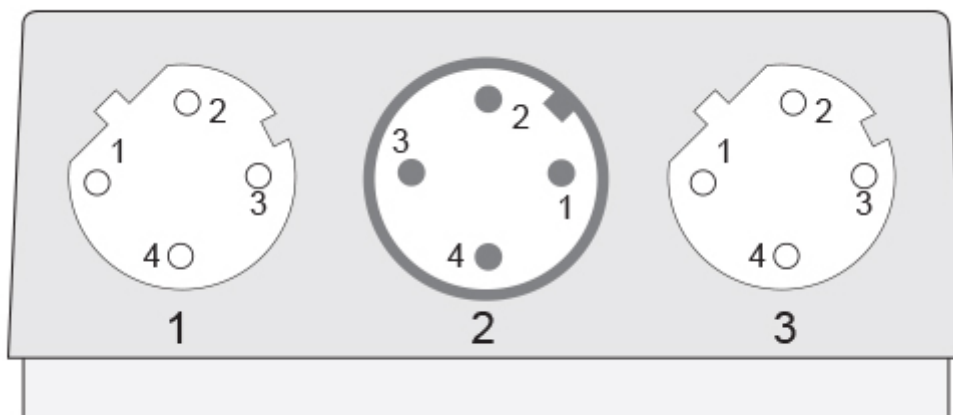
## FRABA



Connection Orientation	Radial
Connector 1	M12, Female, 4 pin, d coded
Connector 2	M12, Male, 4 pin, a coded
Connector 3	M12, Female, 4 pin, d coded

### Certification

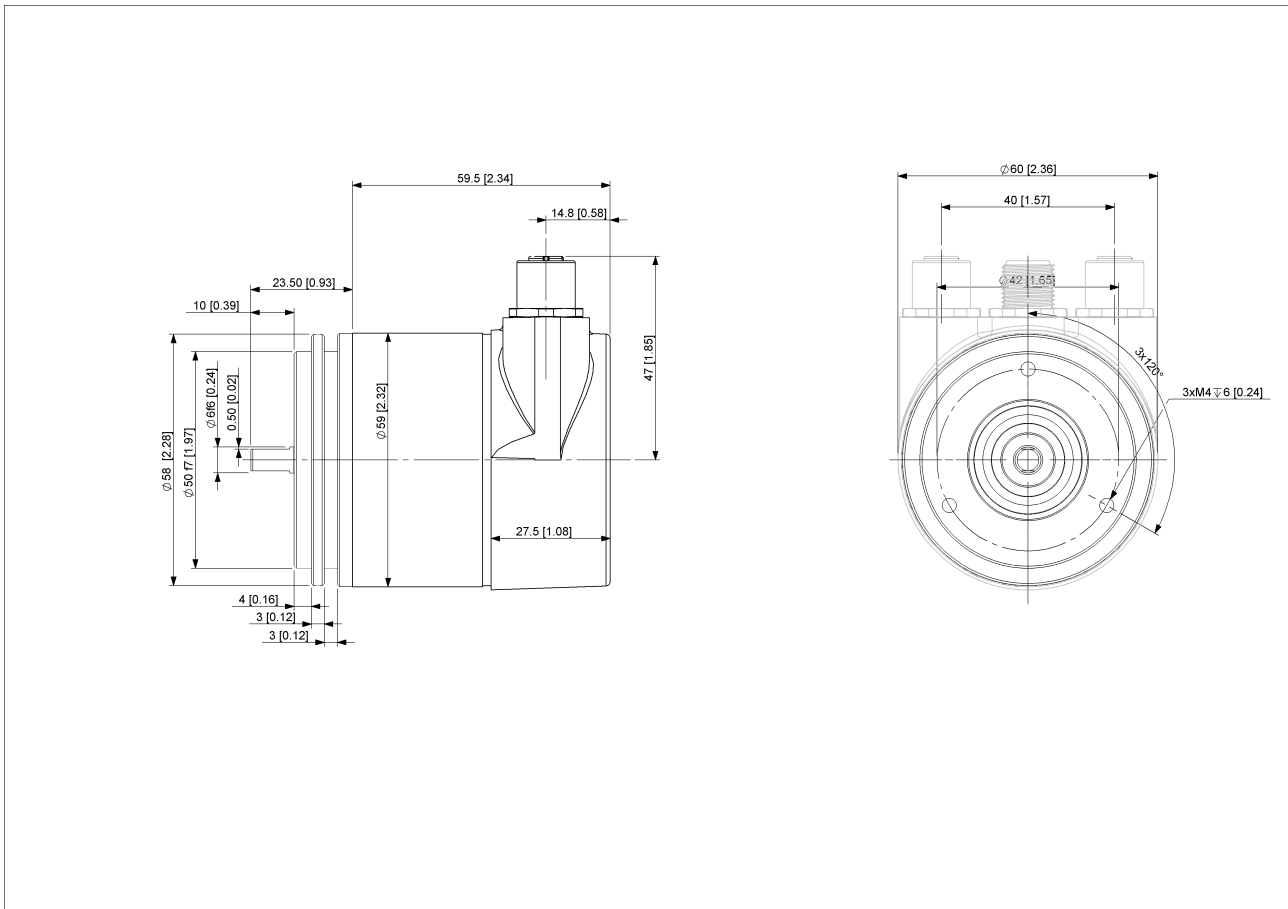
Approval	CE + cULus listed, Industrial Control Equipment
Product Life Cycle	Established



### Connection Plan

SIGNAL	CONNECTOR	PIN NUMBER
Tx+	Connector 1	1
Rx+	Connector 1	2
Tx-	Connector 1	3
Rx-	Connector 1	4
Power Supply	Connector 2	1
Not Connected	Connector 2	2
GND	Connector 2	3
Not Connected	Connector 2	4
Tx+	Connector 3	1
Rx+	Connector 3	2
Tx-	Connector 3	3
Rx-	Connector 3	4

Connector-View on Encoder



### [2D Drawing](#)

### Accessories

#### Connectors & Cables

- 10m PUR Cable, 5pin, A-Coded, f
- 2m PUR Cable, 5pin, A-Coded, f
- 5m PUR Cable, 5pin, A-Coded, f
- 2m PUR Cable, 4pin, D-Coded, m
- M12, 4pin A-Coded, Female
- 10m PUR Cable, 4pin, D-Coded, m
- 10m PVC Cable, 4pin, D-Coded, m
- 2m PVC Cable, 4pin, D-Coded, m
- 5m PVC Cable, 4pin, D-Coded, m
- M12, 4pin D-Coded, Male
- 5m PUR Cable, 4pin, D-Coded, m
- More

Clamp Disc w/ Eccentric Hole-4pcs

Data Sheet

Printed at 27-09-2017 15:09



Clamp Disc w/ Centred Hole-4pcs

Coupling Bellow Type-06-06  
Coupling Bellow Type-06-10  
Coupling Bellow Type-06-08  
Coupling Bellow Type-06-(3/8")  
Coupling Bellow Type-06-(1/4")  
Coupling Jaw Type-06-06  
Coupling Jaw Type-06-10  
Coupling Jaw Type-06-08  
Coupling Jaw Type-06-12  
Coupling Jaw Type-06-(1/4")  
Coupling Jaw Type-06-(3/8")  
Coupling Disc Type-06-06  
Coupling Disc Type-06-10  
More

Mounting Bracket for Synchro Flange w/ fixtures

### Contact



POSITAL  
Contact Us

The picture and drawing are for general presentation purposes only. Please refer to the "Download" section for detailed technical drawings. All dimension in [inch] mm. © FRABA B.V., All rights reserved. We do not assume responsibility for technical inaccuracies or omissions. Specifications are subject to change without notice.