



IXARC Absolute Rotary Encoder

OCD-PPA1B-0016-C060-2AW



Interface

| | |
|------------------|---|
| Interface | Bit Parallel |
| Manual Functions | Counting direction via cable or connector |

Outputs

| | |
|---------------|-----------|
| Output Driver | Push-Pull |
|---------------|-----------|

Electrical Data

| | |
|-----------------------------|--|
| Supply Voltage | 10 - 30 VDC |
| Current Consumption | $\leq 400 \text{ mA @ } 10 \text{ V DC}, \leq 180 \text{ mA @ } 24 \text{ V DC}$ |
| Power Consumption | $\leq 1.5 \text{ W}$ |
| Start-Up Time | $< 250 \text{ ms}$ |
| Settling Time | 80 ms |
| Reverse Polarity Protection | Yes |
| Short Circuit Protection | Yes |
| EMC: Emitted Interference | DIN EN 61000-6-4 |
| EMC: Noise Immunity | DIN EN 61000-6-2 |
| MTTF | 22.3 years @ 40 °C |

Sensor

| | |
|-----------------------|---------|
| Technology | Optical |
| Resolution Singleturn | 16 bit |

POSITAL

FRABA



| | |
|------------------------|---|
| Accuracy (INL) | $\pm 0.0220^\circ$ (14 - 16 bit), $\pm 0.0439^\circ$ (≤ 13 bit) |
| Sense Signal (Default) | Clockwise shaft movement (front view on shaft) |
| Code | Binary |

Environmental Specifications

| | |
|----------------------------|---|
| Protection Class (Shaft) | IP65 |
| Protection Class (Housing) | IP65 |
| Operating Temperature | -30 °C fixed (-22 °F), -5 °C flexible (+23 °F) - +70 °C (+158 °F) |
| Humidity | 98% RH, no condensation |

Mechanical Data

| | |
|--|--|
| Housing Material | Steel |
| Housing Coating | Cathodic corrosion protection (>720 hrs salt spray resistance) |
| Flange Type | Clamp, \varnothing 58 mm (C) |
| Flange Material | Aluminum |
| Shaft Type | Solid, Length = 10 mm |
| Shaft Diameter | \varnothing 6 mm (0.24") |
| Shaft Material | Stainless Steel V2A (1.4305, 303) |
| Max. Shaft Load | Axial 40 N, Radial 110 N |
| Minimum Mechanical Lifetime (10 ⁸ revolutions with Fa/Fr) | 530 (20 N / 40 N), 185 (40 N / 60 N), 130 (40 N / 80 N), 80 (40 N / 110 N) |
| Rotor Inertia | ≤ 30 gcm ² [≤ 0.17 oz-in ²] |
| Friction Torque | ≤ 3 Ncm @ 20 °C (4.2 oz-in @ 68 °F) |
| Max. Permissible Mechanical Speed | ≤ 12000 1/min |
| Shock Resistance | ≤ 100 g (half sine 6 ms, EN 60068-2-27) |
| Permanent Shock Resistance | ≤ 10 g (half sine 16 ms, EN 60068-2-29) |
| Vibration Resistance | ≤ 10 g (10 Hz - 1000 Hz, EN 60068-2-6) |
| Length | 41,7 mm (1.64") |
| Weight | 275 g (0.61 lb) |

Electrical Connection

| | |
|------------------------|-------------------------------|
| Connection Orientation | Axial |
| Cable Length | 2 m [79"] |
| Wire Cross Section | 0.14 mm ² / AWG 26 |
| Material / Type | PVC |
| Cable Diameter | 9.3 mm (0.37 in) |

Data Sheet

Printed at 27-09-2017 16:09

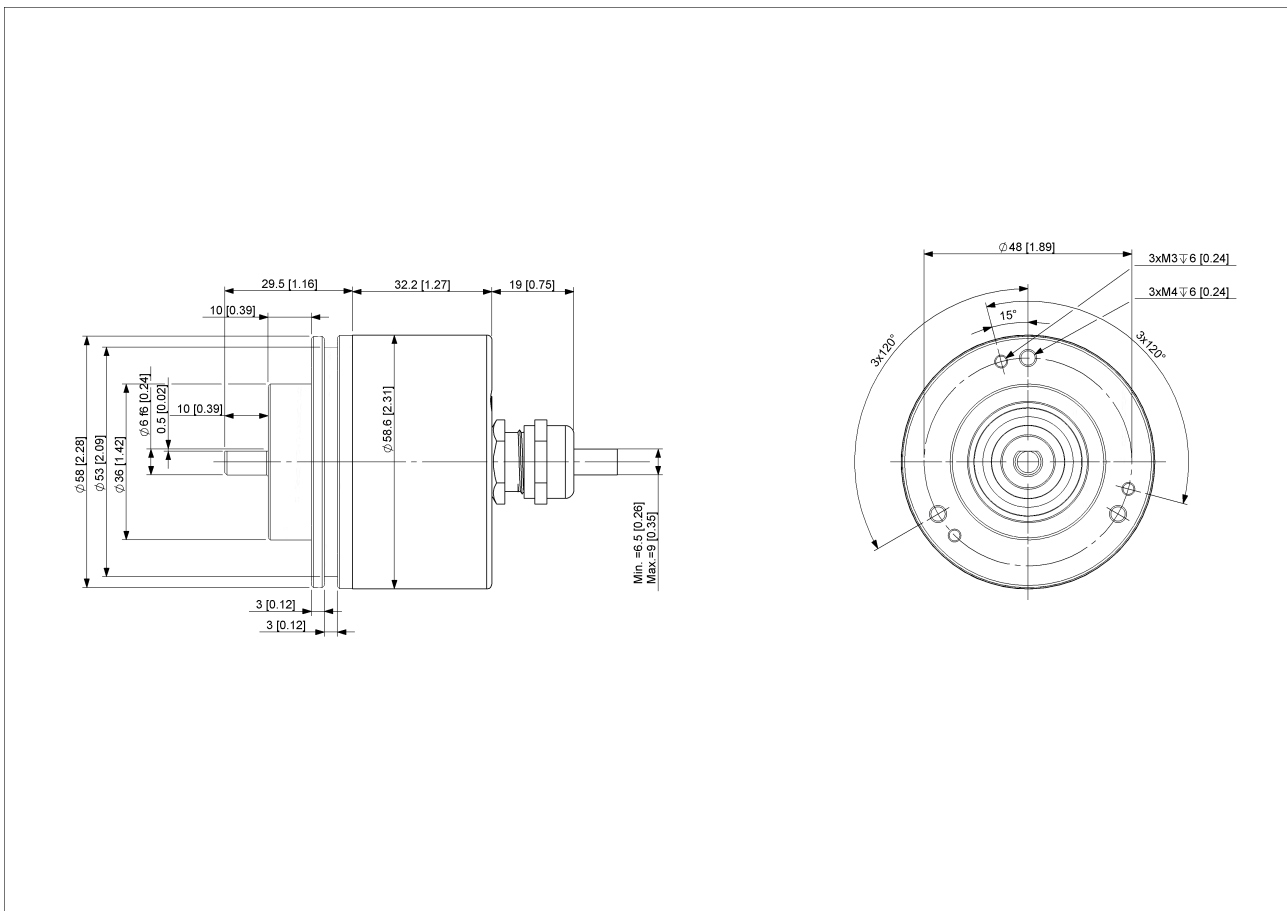


Minimum Bend Radius 150 mm (6 in)

Certification

| | |
|--------------------|---|
| Approval | CE + cULus listed, Industrial Control Equipment |
| Product Life Cycle | Established |

Connection Plan



[2D Drawing](#)

Accessories

Clamp Disc w/ Eccentric Hole-4pcs
 Clamp Disc w/ Centred Hole-4pcs

Coupling Bellow Type-06-06
 Coupling Bellow Type-06-10
 Coupling Bellow Type-06-08

Data Sheet
 Printed at 27-09-2017 16:09



Coupling Bellow Type-06-(3/8")
Coupling Bellow Type-06-(1/4")
Coupling Jaw Type-06-06
Coupling Jaw Type-06-10
Coupling Jaw Type-06-08
Coupling Jaw Type-06-12
Coupling Jaw Type-06-(1/4")
Coupling Jaw Type-06-(3/8")
Coupling Disc Type-06-06
Coupling Disc Type-06-10
More

Mounting Bracket for Clamping Flange w/ fixtures
L Mounting Bracket w/ screws
Mounting Bracket Spring Loaded f. Clamping Flange

Contact



POSITAL
Contact Us

The picture and drawing are for general presentation purposes only. Please refer to the "Download" section for detailed technical drawings.
All dimension in [inch] mm. © FRABA B.V., All rights reserved. We do not assume responsibility for technical inaccuracies or omissions.
Specifications are subject to change without notice.