



### IXARC Absolute Rotary Encoder

**OCD-S101G-0016-C06S-2AW**



#### Interface

Interface	SSI with Preset
Manual Functions	Preset + complement via cable or connector
Interface Cycle Time	≥ 25 μs

#### Outputs

Output Driver	RS422
---------------	-------

#### Electrical Data

Supply Voltage	4.5 - 30 VDC
Power Consumption	≤ 1.5 W
Start-Up Time	< 250 ms
Clock Input	RS 422, via Optocoupler
Clock Frequency	100 kHz - 2 MHz
Reverse Polarity Protection	Yes
Short Circuit Protection	Yes
EMC: Emitted Interference	DIN EN 61000-6-4
EMC: Noise Immunity	DIN EN 61000-6-2
MTTF	16.2 years @ 40 °C

#### Sensor

Technology	Optical
------------	---------

# POSITAL

## FRABA



Resolution Singleturn	16 bit
Accuracy (INL)	$\pm 0.0220^\circ$ (14 - 16 bit), $\pm 0.0439^\circ$ ( $\leq 13$ bit)
Sense Signal (Default)	Clockwise shaft movement (front view on shaft)
Code	Gray

### Environmental Specifications

Protection Class (Shaft)	IP66/IP67
Protection Class (Housing)	IP66/IP67
Operating Temperature	-30 °C fixed (-22 °F), -5 °C flexible (+23 °F) - +80 °C (+176 °F)
Humidity	98% RH, no condensation

### Mechanical Data

Housing Material	Steel
Housing Coating	Cathodic corrosion protection (>720 hrs salt spray resistance)
Flange Type	Clamp, $\varnothing$ 58 mm (C)
Flange Material	Aluminum
Shaft Type	Solid, Length = 10 mm
Shaft Diameter	$\varnothing$ 6 mm (0.24")
Shaft Material	Stainless Steel V2A (1.4305, 303)
Max. Shaft Load	Axial 40 N, Radial 110 N
Minimum Mechanical Lifetime ( $10^8$ revolutions with Fa/Fr)	530 (20 N / 40 N), 185 (40 N / 60 N), 130 (40 N / 80 N), 80 (40 N / 110 N)
Rotor Inertia	$\leq 30$ gcm <sup>2</sup> [ $\leq 0.17$ oz-in <sup>2</sup> ]
Friction Torque	$\leq 5$ Ncm @ 20 °C, (7.1 oz-in @ 68 °F)
Max. Permissible Mechanical Speed	$\leq 3000$ 1/min
Shock Resistance	$\leq 100$ g (half sine 6 ms, EN 60068-2-27)
Permanent Shock Resistance	$\leq 10$ g (half sine 16 ms, EN 60068-2-29)
Vibration Resistance	$\leq 10$ g (10 Hz - 1000 Hz, EN 60068-2-6)
Length	41,7 mm (1.64")
Weight	430 g (0.95 lb)

### Electrical Connection

Connection Orientation	Axial
Cable Length	2 m [79"]
Wire Cross Section	0.14 mm <sup>2</sup> / AWG 26
Material / Type	PVC

Data Sheet

Printed at 27-09-2017 16:09

# POSITAL

---

## FRABA



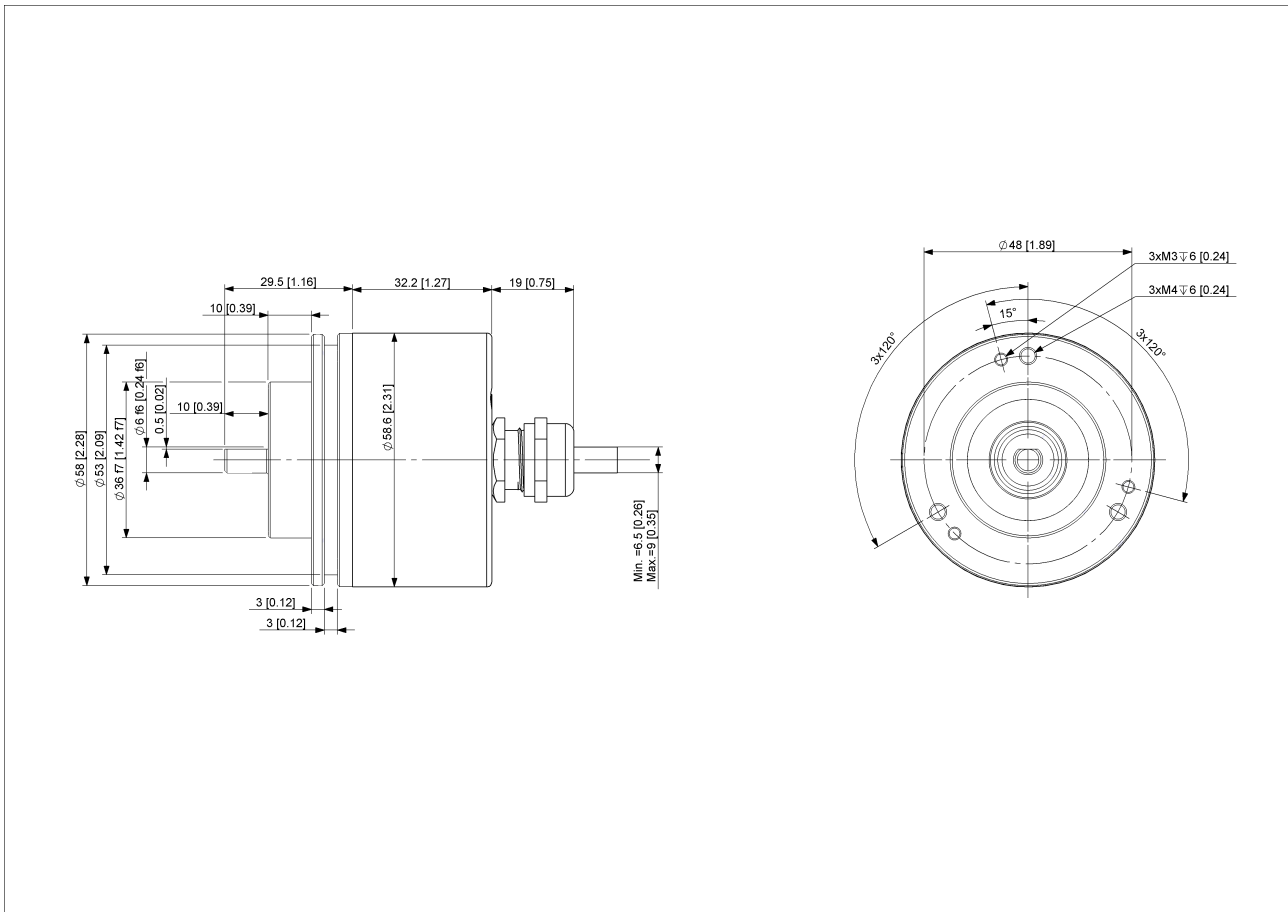
Cable Diameter	6 mm (0.24 in)
Minimum Bend Radius	46 mm (1.81") fixed, 61 mm (2.4") flexing

### Certification

Approval	CE + cULus listed, Industrial Control Equipment
Product Life Cycle	Established

### Connection Plan

SIGNAL	CABLE COLOR
Power Supply	Brown
GND	White
Data+	Gray
Data-	Pink
Clock+	Green
Clock-	Yellow
Preset	Blue
DIR	Red
Shielding	Shield



### [2D Drawing](#)

### Accessories

Clamp Disc w/ Eccentric Hole-4pcs  
Clamp Disc w/ Centred Hole-4pcs

- Coupling Bellow Type-06-06
- Coupling Bellow Type-06-10
- Coupling Bellow Type-06-08
- Coupling Bellow Type-06-(3/8")
- Coupling Bellow Type-06-(1/4")
- Coupling Jaw Type-06-06
- Coupling Jaw Type-06-10
- Coupling Jaw Type-06-08
- Coupling Jaw Type-06-12
- Coupling Jaw Type-06-(1/4")
- Coupling Jaw Type-06-(3/8")
- Coupling Disc Type-06-06

Data Sheet  
Printed at 27-09-2017 16:09



Coupling Disc Type-06-10  
[More](#)

[Mounting Bracket for Clamping Flange w/ fixtures](#)  
[L Mounting Bracket w/ screws](#)  
[Mounting Bracket Spring Loaded f. Clamping Flange](#)

### Contact



POSITAL  
[Contact Us](#)

The picture and drawing are for general presentation purposes only. Please refer to the "Download" section for detailed technical drawings. All dimension in [inch] mm. © FRABA B.V., All rights reserved. We do not assume responsibility for technical inaccuracies or omissions. Specifications are subject to change without notice.