



IXARC Absolute Rotary Encoder

OCD-EC00B-1416-B060-PRM



Interface

Interface	Ethercat
Profile	CoE (CANopen over EtherCAT, DS-301+DS-406)
Diagnostics	OptoAsic, Memory, LED
Programming Functions	Resolution, preset, counting direction
Features	Boot-Loader, Round Axis
Transmission Rate	10 / 100 Mbit
Interface Cycle Time	$\geq 62.5 \mu\text{s}$

Outputs

Output Driver	Ethernet
---------------	----------

Electrical Data

Supply Voltage	10 - 30 VDC
Current Consumption	$\leq 230 \text{ mA @ } 10 \text{ V DC}, \leq 100 \text{ mA @ } 24 \text{ V DC}$
Power Consumption	$\leq 2.5 \text{ W}$
Start-Up Time	$< 250 \text{ ms}$
Reverse Polarity Protection	Yes
Short Circuit Protection	Yes
EMC: Emitted Interference	DIN EN 61000-6-4
EMC: Noise Immunity	DIN EN 61000-6-2
Electrical Lifetime	$> 10^5 \text{ h}$

Data Sheet

Printed at 27-09-2017 15:09

POSITAL

FRABA



Sensor

Technology	Optical
Resolution Singleturn	16 bit
Resolution Multiturn	14 bit
Multiturn Technology	Mechanical Gearing (no Battery)
Accuracy (INL)	$\pm 0.0220^\circ$ (14 - 16 bit), $\pm 0.0439^\circ$ (≤ 13 bit)
Code	Binary

Environmental Specifications

Protection Class (Shaft)	IP65
Protection Class (Housing)	IP65
Operating Temperature	-40 °C (-40 °F) - +85 °C (+185 °F)
Storage Temperature	-40 °C (-40 °F) - +85 °C (+185 °F)
Humidity	98% RH, no condensation

Mechanical Data

Housing Material	Steel
Housing Coating	Wet coating (RAL 9006 White Aluminium) + Cathodic corrosion protection (>720 h salt spray resistance)
Flange Type	Blind Hollow, \varnothing 58 mm (B)
Flange Material	Aluminum
Shaft Type	Blind Hollow, Depth = 30 mm
Shaft Diameter	\varnothing 6 mm (0.24")
Shaft Material	Stainless Steel V2A (1.4305, 303)
Rotor Inertia	$\leq 30 \text{ gcm}^2$ [$\leq 0.17 \text{ oz-in}^2$]
Friction Torque	$\leq 3 \text{ Ncm}$ @ 20 °C (4.2 oz-in @ 68 °F)
Max. Permissible Mechanical Speed	$\leq 12000 \text{ 1/min}$
Shock Resistance	$\leq 100 \text{ g}$ (half sine 6 ms, EN 60068-2-27)
Permanent Shock Resistance	$\leq 10 \text{ g}$ (half sine 16 ms, EN 60068-2-29)
Vibration Resistance	$\leq 10 \text{ g}$ (10 Hz - 1000 Hz, EN 60068-2-6)
Length	98,5 mm (3.88")
Weight	405 g (0.89 lb)

Electrical Connection

Connection Orientation	Radial
Connector 1	M12, Female, 4 pin, d coded

POSITAL

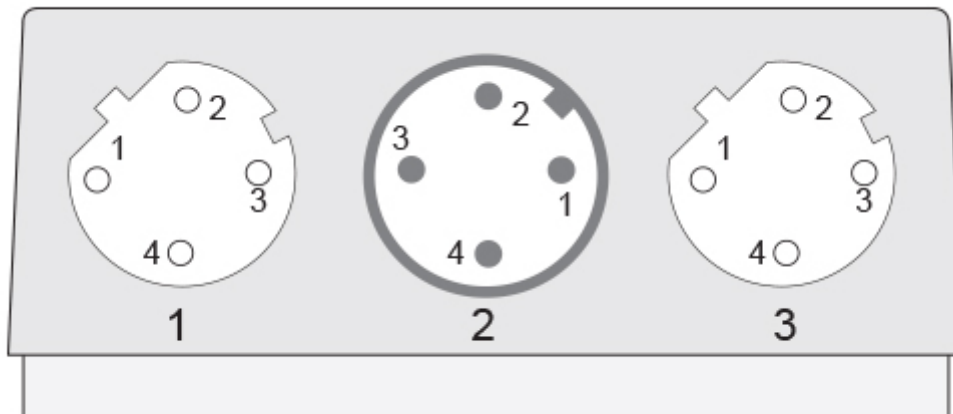
FRABA



Connector 2	M12, Male, 4 pin, a coded
Connector 3	M12, Female, 4 pin, d coded

Certification

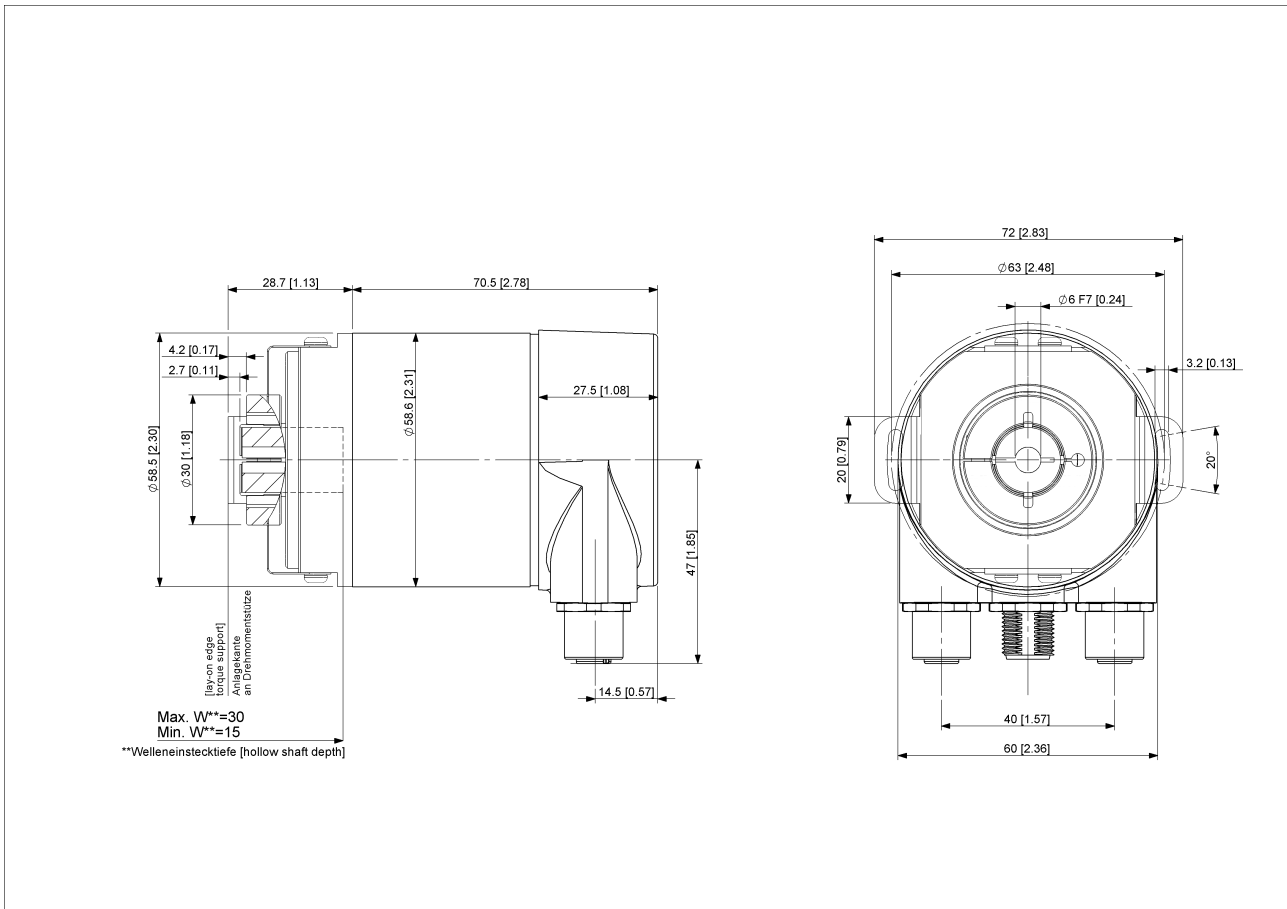
Approval	CE + cULus listed, Industrial Control Equipment
Product Life Cycle	Established



Connection Plan

SIGNAL	CONNECTOR	PIN NUMBER
Tx+	Connector 1	1
Rx+	Connector 1	2
Tx-	Connector 1	3
Rx-	Connector 1	4
Power Supply	Connector 2	1
Not Connected	Connector 2	2
GND	Connector 2	3
Not Connected	Connector 2	4
Tx+	Connector 3	1
Rx+	Connector 3	2
Tx-	Connector 3	3
Rx-	Connector 3	4

Connector-View on Encoder



[2D Drawing](#)

Accessories

Connectors & Cables

- 10m PUR Cable, 5pin, A-Coded, f
- 2m PUR Cable, 5pin, A-Coded, f
- 5m PUR Cable, 5pin, A-Coded, f
- 2m PUR Cable, 4pin, D-Coded, m
- M12, 4pin A-Coded, Female
- 10m PUR Cable, 4pin, D-Coded, m
- 10m PVC Cable, 4pin, D-Coded, m
- 2m PVC Cable, 4pin, D-Coded, m
- 5m PVC Cable, 4pin, D-Coded, m
- M12, 4pin D-Coded, Male
- 5m PUR Cable, 4pin, D-Coded, m
- More

Clamping Ring B15

Data Sheet

Printed at 27-09-2017 15:09



Contact



POSITAL
Contact Us

The picture and drawing are for general presentation purposes only. Please refer to the "Download" section for detailed technical drawings. All dimension in [inch] mm. © FRABA B.V., All rights reserved. We do not assume responsibility for technical inaccuracies or omissions. Specifications are subject to change without notice.