



IXARC Absolute Rotary Encoder

OCD-CAA1B-0016-SA10-H2B



Interface

Interface	CANopen
Profile	DS-406
Programming Functions	Resolution, preset, 2 limit switches, 8 CAMS, baud rate, CAN-Identifier, bootloader, transmission modes: polled, cyclic, sync
Manual Functions	Address selector switch 0-99 and terminal resistor (with connection cap)
Features	Round Axis
Transmission Rate	min. 20 kBaud, max. 1 MBaud
Interface Cycle Time	≥ 1 ms
Video Manual	▶ Watch a simple installation video

Outputs

Output Driver	Transceiver (ISO 11898), Galvanically Isolated by Opto-Couplers
---------------	---

Electrical Data

Supply Voltage	10 - 30 VDC
Current Consumption	≤ 230 mA @ 10 V DC, ≤ 100 mA @ 24 V DC
Power Consumption	≤ 2.5 W
Start-Up Time	< 250 ms
Reverse Polarity Protection	Yes

Data Sheet

Printed at 27-09-2017 14:09

POSITAL

FRABA



Short Circuit Protection	Yes
EMC: Emitted Interference	DIN EN 61000-6-4
EMC: Noise Immunity	DIN EN 61000-6-2
MTTF	13.5 years @ 40 °C

Sensor

Technology	Optical
Resolution Singleturn	16 bit
Accuracy (INL)	$\pm 0.0220^\circ$ (14 - 16 bit), $\pm 0.0439^\circ$ (≤ 13 bit)
Code	Binary

Environmental Specifications

Protection Class (Shaft)	IP65
Protection Class (Housing)	IP65
Operating Temperature	-40 °C (-40 °F) - +85 °C (+185 °F)
Storage Temperature	-40 °C (-40 °F) - +85 °C (+185 °F)
Humidity	98% RH, no condensation

Mechanical Data

Connection Cap Material	Aluminum
Housing Material	Steel
Housing Coating	Cathodic corrosion protection (>720 hrs salt spray resistance)
Flange Type	Synchro, \varnothing 58 mm (S)
Flange Material	Aluminum
Shaft Type	Solid, Double Flat, Length = 10 mm
Shaft Diameter	\varnothing 6 mm (0.24")
Shaft Material	Stainless Steel V2A (1.4305, 303)
Max. Shaft Load	Axial 40 N, Radial 110 N
Minimum Mechanical Lifetime (10^8 revolutions with Fa/Fr)	400 (20 N / 40 N)
Rotor Inertia	$\leq 30 \text{ gcm}^2$ [$\leq 0.17 \text{ oz-in}^2$]
Friction Torque	$\leq 3 \text{ Ncm}$ @ 20 °C (4.2 oz-in @ 68 °F)
Max. Permissible Mechanical Speed	$\leq 12000 \text{ 1/min}$
Shock Resistance	$\leq 100 \text{ g}$ (half sine 6 ms, EN 60068-2-27)
Permanent Shock Resistance	$\leq 10 \text{ g}$ (half sine 16 ms, EN 60068-2-29)
Vibration Resistance	$\leq 10 \text{ g}$ (10 Hz - 1000 Hz, EN 60068-2-6)

Data Sheet

Printed at 27-09-2017 14:09

POSITAL

FRABA



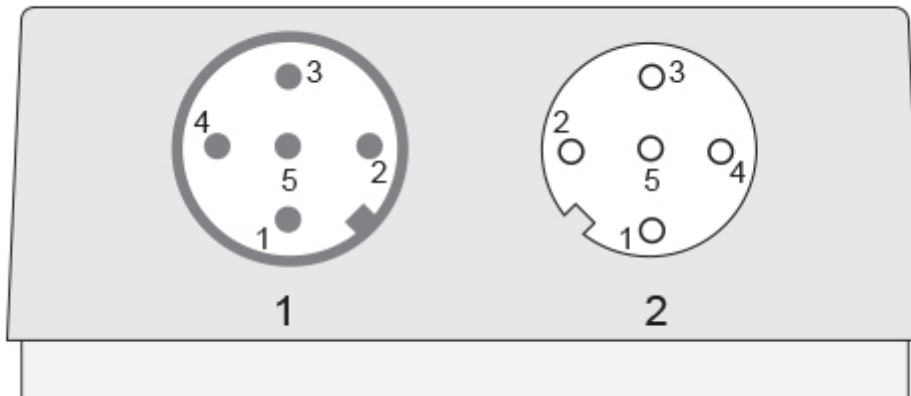
Length	74,5 mm (2.93")
Weight	455 g (1.00 lb)

Electrical Connection

Connection Orientation	Radial
Connection Type	2 x M12 Connector

Certification

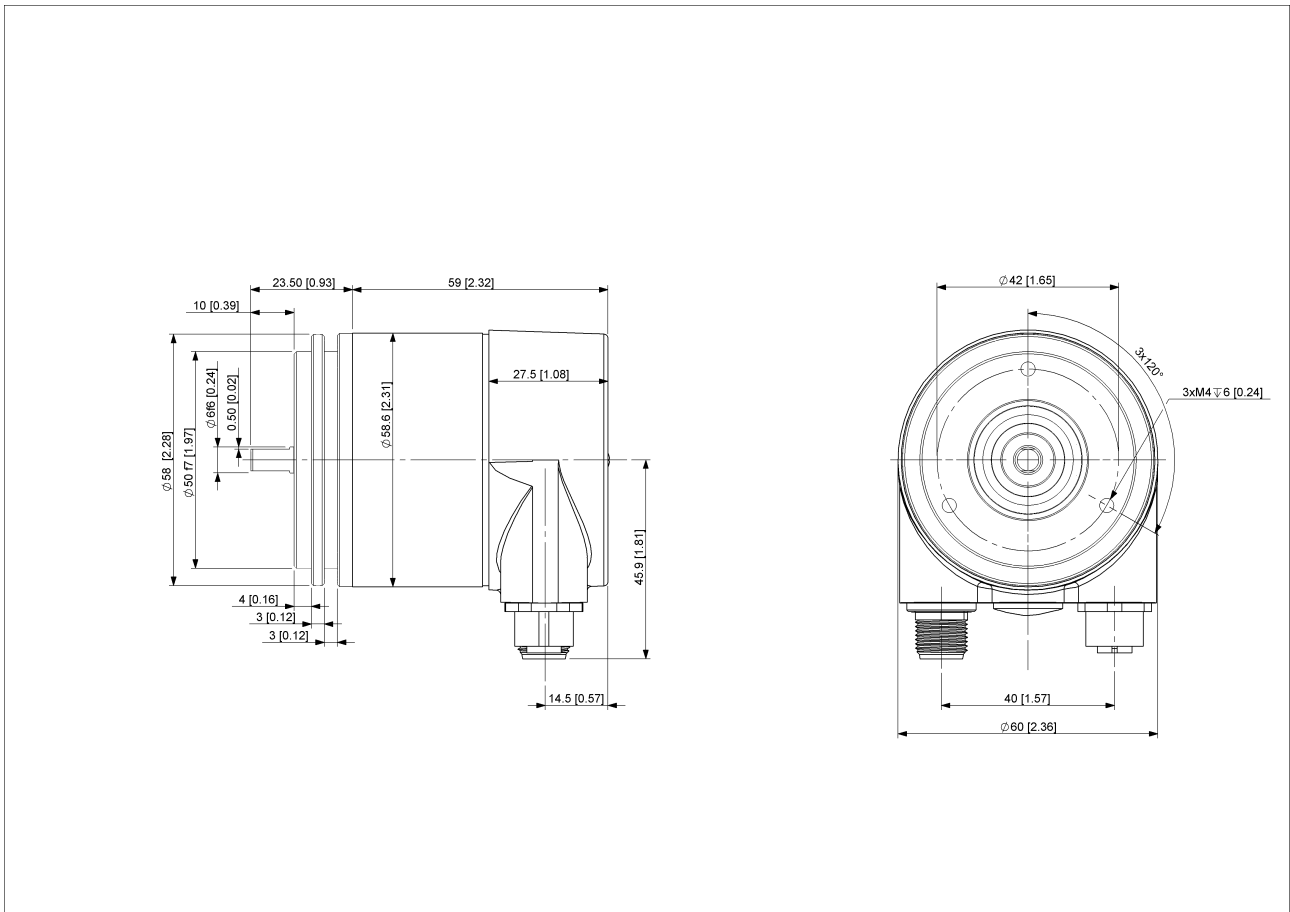
Approval	CE + cULus listed, Industrial Control Equipment
Product Life Cycle	Established



Connection Plan

SIGNAL	CONNECTOR	PIN NUMBER
Power Supply	Connector 1	2
GND	Connector 1	3
CAN High	Connector 1	4
CAN Low	Connector 1	5
CAN GND	Connector 1	1
Power Supply	Connector 2	2
GND	Connector 2	3
CAN High	Connector 2	4
CAN Low	Connector 2	5
CAN GND	Connector 2	1

Connector-View on Encoder



[2D Drawing](#)

Accessories

Connectors & Cables

M12, 5pin A-Coded, Male

10m PUR Cable, 5pin, A-Coded, f

2m PUR Cable, 5pin, A-Coded, f

5m PUR Cable, 5pin, A-Coded, f

2m PUR Cable, 5pin, A-Coded, m

5m PUR Cable, 5pin, A-Coded, m

10m PUR Cable, 5pin, A-Coded, m

M12, 5pin A-Coded, Female

More

Clamp Disc w/ Eccentric Hole-4pcs

Clamp Disc w/ Centred Hole-4pcs

Coupling Bellow Type-06-06

Data Sheet

Printed at 27-09-2017 14:09



Coupling Bellow Type-06-10
Coupling Bellow Type-06-08
Coupling Bellow Type-06-(3/8")
Coupling Bellow Type-06-(1/4")
Coupling Jaw Type-06-06
Coupling Jaw Type-06-10
Coupling Jaw Type-06-08
Coupling Jaw Type-06-12
Coupling Jaw Type-06-(1/4")
Coupling Jaw Type-06-(3/8")
Coupling Disc Type-06-06
Coupling Disc Type-06-10
More

Mounting Bracket for Synchro Flange w/ fixtures

Contact



POSITAL
Contact Us

The picture and drawing are for general presentation purposes only. Please refer to the "Download" section for detailed technical drawings. All dimension in [inch] mm. © FRABA B.V., All rights reserved. We do not assume responsibility for technical inaccuracies or omissions. Specifications are subject to change without notice.