



### IXARC Absolute Rotary Encoder

**OCD-S3C1G-1416-S06S-2AW**



#### Interface

Interface	SSI with Preset and Incr.
Optional Incremental Pulses	4096
Manual Functions	Preset + complement via cable or connector
Interface Cycle Time	$\geq 25 \mu\text{s}$

#### Outputs

Output Driver	SSI (RS422) / Incr. (RS422)
Output Incremental	A, /A, B, /B
Quadrature Phasing	$90^\circ \pm 4.5^\circ$ electrical
Max. Frequency Response	2 MHz

#### Electrical Data

Supply Voltage	4.5 - 30 VDC
Power Consumption	$\leq 1.5 \text{ W}$
Start-Up Time	$< 250 \text{ ms}$
Clock Input	RS 422, via Optocoupler
Clock Frequency	100 kHz - 2 MHz
Reverse Polarity Protection	Yes
Short Circuit Protection	Yes
EMC: Emitted Interference	DIN EN 61000-6-4
EMC: Noise Immunity	DIN EN 61000-6-2

Data Sheet

Printed at 27-09-2017 17:09

# POSITAL

## FRABA



MTTF 16.2 years @ 40 °C

### Sensor

Technology	Optical
Resolution Singleturn	16 bit
Resolution Multiturn	14 bit
Multiturn Technology	Mechanical Gearing (no Battery)
Accuracy (INL)	$\pm 0.0220^\circ$ (14 - 16 bit), $\pm 0.0439^\circ$ ( $\leq 13$ bit)
Sense Signal (Default)	Clockwise shaft movement (front view on shaft)
Code	Gray
Incremental Pulses	4096

### Environmental Specifications

Protection Class (Shaft)	IP66/IP67
Protection Class (Housing)	IP66/IP67
Operating Temperature	-30 °C fixed (-22 °F), -5 °C flexible (+23 °F) - +70 °C (+158 °F)
Humidity	98% RH, no condensation

### Mechanical Data

Housing Material	Steel
Housing Coating	Wet coating (RAL 9006 White Aluminium) + Cathodic corrosion protection (>720 h salt spay resistance)
Flange Type	Synchro, $\varnothing$ 58 mm (S)
Flange Material	Aluminum
Shaft Type	Solid, Length = 10 mm
Shaft Diameter	$\varnothing$ 6 mm (0.24")
Shaft Material	Stainless Steel V2A (1.4305, 303)
Max. Shaft Load	Axial 40 N, Radial 110 N
Minimum Mechanical Lifetime (10 <sup>8</sup> revolutions with Fa/Fr)	400 (20 N / 40 N)
Rotor Inertia	$\leq 30 \text{ gcm}^2$ [ $\leq 0.17 \text{ oz-in}^2$ ]
Friction Torque	$\leq 5 \text{ Ncm}$ @ 20 °C, (7.1 oz-in @ 68 °F)
Max. Permissible Mechanical Speed	$\leq 12000 \text{ 1/min}$
Shock Resistance	$\leq 100 \text{ g}$ (half sine 6 ms, EN 60068-2-27)
Permanent Shock Resistance	$\leq 10 \text{ g}$ (half sine 16 ms, EN 60068-2-29)
Vibration Resistance	$\leq 10 \text{ g}$ (10 Hz - 1000 Hz, EN 60068-2-6)

Data Sheet

Printed at 27-09-2017 17:09

# POSITAL

## FRABA



Length	56,7 mm (2.23")
Weight	275 g (0.61 lb)

### Electrical Connection

Connection Orientation	Axial
Cable Length	2 m [79"]
Wire Cross Section	0.14 mm <sup>2</sup> / AWG 26
Material / Type	PVC
Cable Diameter	8 mm (0.31 in)
Minimum Bend Radius	35 mm (1.38) fixed, 70 mm (2.76)

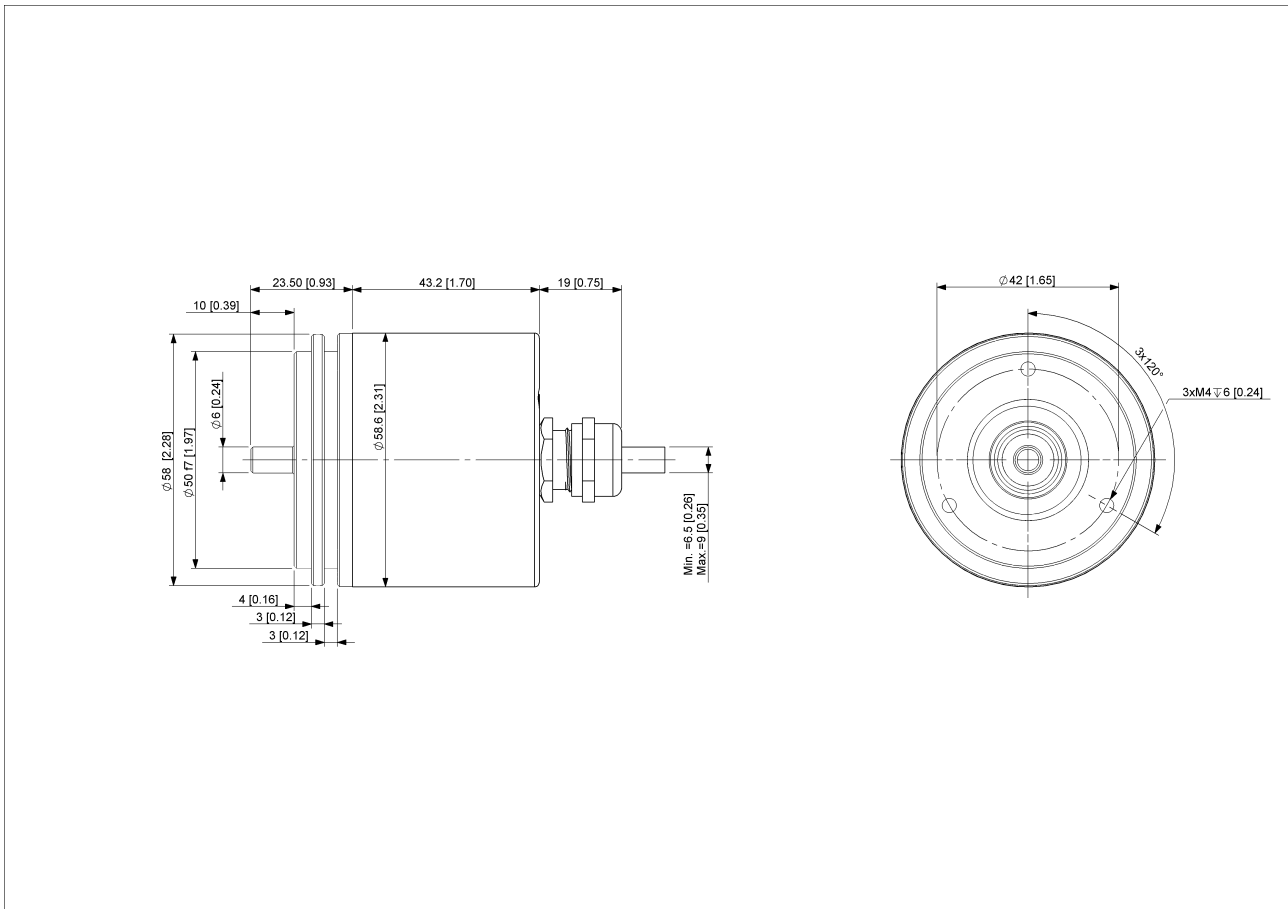
### Certification

Approval	CE + cULus listed, Industrial Control Equipment
Product Life Cycle	Established

### Connection Plan

SIGNAL	CABLE COLOR
Power Supply	Brown
GND	White
Data+	Gray
Data-	Pink
Clock+	Green
Clock-	Yellow
DIR	Red
Preset	Blue
A	Black
/A	Violet
B	Gray-Pink
/B	Red-Blue
Shielding	Shield

Connector-View on Encoder



### [2D Drawing](#)

#### Accessories

Clamp Disc w/ Eccentric Hole-4pcs  
Clamp Disc w/ Centred Hole-4pcs

Coupling Bellow Type-06-06  
Coupling Bellow Type-06-10  
Coupling Bellow Type-06-08  
Coupling Bellow Type-06-(3/8")  
Coupling Bellow Type-06-(1/4")  
Coupling Jaw Type-06-06  
Coupling Jaw Type-06-10  
Coupling Jaw Type-06-08  
Coupling Jaw Type-06-12  
Coupling Jaw Type-06-(1/4")  
Coupling Jaw Type-06-(3/8")  
Coupling Disc Type-06-06

Data Sheet  
Printed at 27-09-2017 17:09



Coupling Disc Type-06-10  
[More](#)

[Mounting Bracket for Synchro Flange w/ fixtures](#)

### Contact



POSITAL  
[Contact Us](#)

The picture and drawing are for general presentation purposes only. Please refer to the "Download" section for detailed technical drawings. All dimension in [inch] mm. © FRABA B.V., All rights reserved. We do not assume responsibility for technical inaccuracies or omissions. Specifications are subject to change without notice.