



IXARC Absolute Rotary Encoder

OCD-S5D1B-1416-C100-PAP



Interface

| | |
|-----------------------------|--------------------------------------------|
| Interface | SSI with Preset + Incremental RS422 |
| Optional Incremental Pulses | 8192 |
| Manual Functions | Preset + complement via cable or connector |
| Interface Cycle Time | ≥ 25 μs |

Outputs

| | |
|-------------------------|-----------------------------|
| Output Driver | SSI (RS422) / Incr. (RS422) |
| Output Incremental | A, /A, B, /B, Z, /Z |
| Quadrature Phasing | 90° ± 4.5° electrical |
| Max. Frequency Response | 2 MHz |

Electrical Data

| | |
|-----------------------------|-------------------------|
| Supply Voltage | 4.5 - 30 VDC |
| Power Consumption | ≤ 1.5 W |
| Start-Up Time | < 250 ms |
| Clock Input | RS 422, via Optocoupler |
| Clock Frequency | 100 kHz - 2 MHz |
| Reverse Polarity Protection | Yes |
| Short Circuit Protection | Yes |
| EMC: Emitted Interference | DIN EN 61000-6-4 |
| EMC: Noise Immunity | DIN EN 61000-6-2 |
| MTTF | 16.2 years @ 40 °C |

Data Sheet

Printed at 27-09-2017 19:09

POSITAL

FRABA



Sensor

| | |
|------------------------|-----------------------------------------------------------------------|
| Technology | Optical |
| Resolution Singleturn | 16 bit |
| Resolution Multiturn | 14 bit |
| Multiturn Technology | Mechanical Gearing (no Battery) |
| Accuracy (INL) | $\pm 0.0220^\circ$ (14 - 16 bit), $\pm 0.0439^\circ$ (≤ 13 bit) |
| Sense Signal (Default) | Clockwise shaft movement (front view on shaft) |
| Code | Binary |
| Incremental Pulses | 8192 |

Environmental Specifications

| | |
|----------------------------|------------------------------------|
| Protection Class (Shaft) | IP65 |
| Protection Class (Housing) | IP66/IP67 |
| Operating Temperature | -40 °C (-40 °F) - +85 °C (+185 °F) |
| Humidity | 98% RH, no condensation |

Mechanical Data

| | |
|-----------------------------------------------------------------|-------------------------------------------------------------------------------------------------------|
| Housing Material | Steel |
| Housing Coating | Wet coating (RAL 9006 White Aluminium) + Cathodic corrosion protection (>720 h salt spray resistance) |
| Flange Type | Clamp, \varnothing 58 mm (C) |
| Flange Material | Aluminum |
| Shaft Type | Solid, Single Flat, Length = 20 mm |
| Shaft Diameter | \varnothing 10 mm (0.39") |
| Shaft Material | Stainless Steel V2A (1.4305, 303) |
| Max. Shaft Load | Axial 40 N, Radial 110 N |
| Minimum Mechanical Lifetime (10^8 revolutions with Fa/Fr) | 430 (20 N / 40 N), 150 (40 N / 60 N), 100 (40 N / 80 N), 55 (40 N / 110 N) |
| Rotor Inertia | $\leq 30 \text{ gcm}^2$ [$\leq 0.17 \text{ oz-in}^2$] |
| Friction Torque | $\leq 3 \text{ Ncm}$ @ 20 °C (4.2 oz-in @ 68 °F) |
| Max. Permissible Mechanical Speed | $\leq 12000 \text{ 1/min}$ |
| Shock Resistance | $\leq 100 \text{ g}$ (half sine 6 ms, EN 60068-2-27) |
| Permanent Shock Resistance | $\leq 10 \text{ g}$ (half sine 16 ms, EN 60068-2-29) |
| Vibration Resistance | $\leq 10 \text{ g}$ (10 Hz - 1000 Hz, EN 60068-2-6) |
| Length | 52,7 mm (2.07") |
| Weight | 290 g (0.64 lb) |

Data Sheet

Printed at 27-09-2017 19:09

POSITAL

FRABA

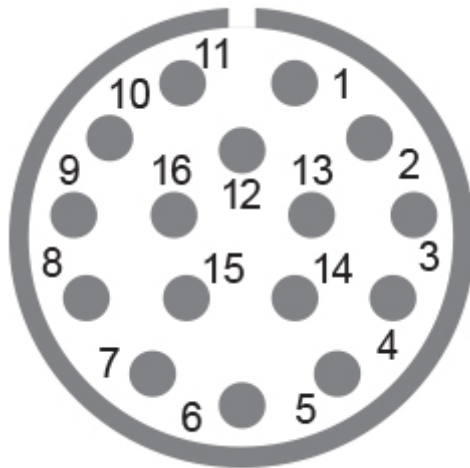


Electrical Connection

| | |
|------------------------|-------------------|
| Connection Orientation | Axial |
| Connector | M23, Male, 16 pin |

Certification

| | |
|--------------------|-------------------------------------------------|
| Approval | CE + cULus listed, Industrial Control Equipment |
| Product Life Cycle | Established |



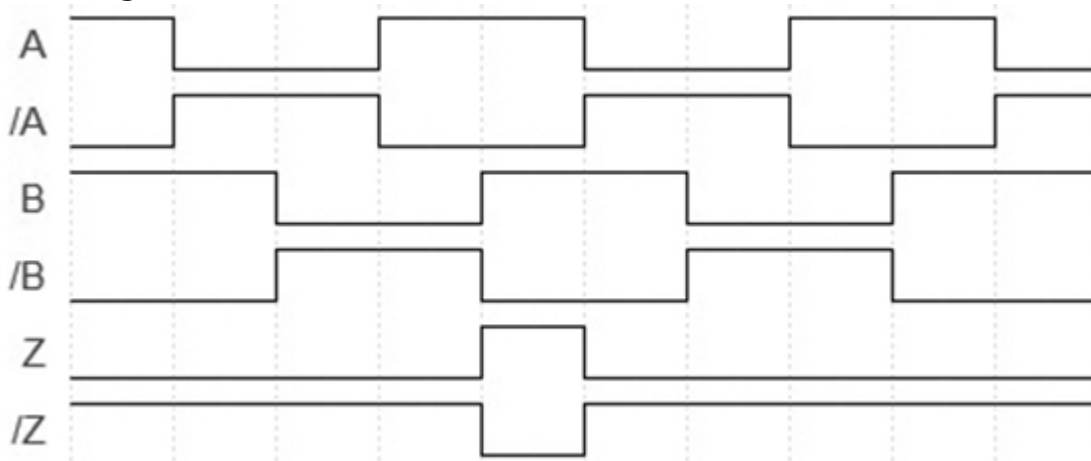
Connection Plan

| SIGNAL | PIN NUMBER |
|--------------|------------|
| Power Supply | 11 |
| GND | 12 |
| Data+ | 3 |
| Data- | 4 |
| Clock+ | 2 |
| Clock- | 1 |
| DIR | 8 |
| Preset | 9 |
| A | 5 |
| /A | 6 |
| B | 7 |
| /B | 10 |
| Z | 13 |
| /Z | 14 |
| Shielding | Housing |

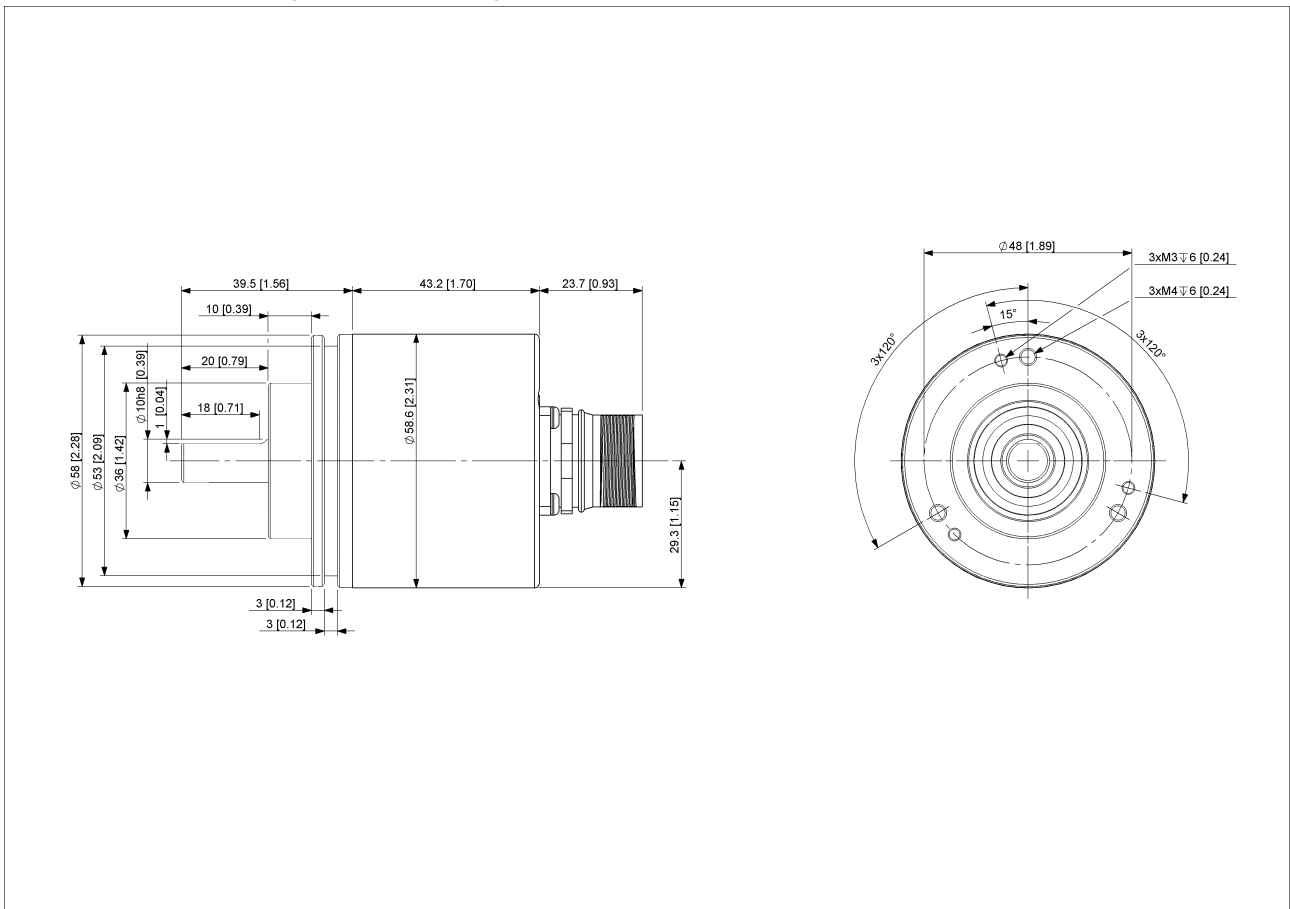


Connector-View on Encoder

Pulse Diagram



Rotation Clockwise (seen on shaft)



[2D Drawing](#)



Accessories

Connectors & Cables

5m PVC Cable, 16pin, f
1m PVC Cable, 16pin, f
2m PVC Cable, 16pin, f
10m PVC Cable, 16pin, f
M23, 16pin, Female
More

Clamp Disc w/ Eccentric Hole-4pcs
Clamp Disc w/ Centred Hole-4pcs

Coupling Disc Type-10-12
Coupling Bellow Type-10-10
Coupling Bellow Type-06-10
Coupling Bellow Type-08-10
Coupling Bellow Type-10-12
Coupling Bellow Type-10-(1/4")
Coupling Bellow Type-10-(3/8")
Coupling Jaw Type-06-10
Coupling Jaw Type-08-10
Coupling Jaw Type-10-12
Coupling Jaw Type-10-(1/4")
Coupling Jaw Type-10-(3/8")
Coupling Jaw Type-10-10
Coupling Disc Type-06-10
Coupling Disc Type-10-10
More

Mounting Bracket for Clamping Flange w/ fixtures
L Mounting Bracket w/ screws
Mounting Bracket Spring Loaded f. Clamping Flange

Contact

POSITAL

FRABA



POSITAL
Contact Us

The picture and drawing are for general presentation purposes only. Please refer to the "Download" section for detailed technical drawings. All dimension in [inch] mm. © FRABA B.V., All rights reserved. We do not assume responsibility for technical inaccuracies or omissions. Specifications are subject to change without notice.