

POSITAL

FRABA



IXARC Absolute Rotary Encoder

OCD-S6C1G-1416-C060-PRP



Interface

| | |
|-----------------------------|--|
| Interface | SSI with Preset + Incremental Push Pull |
| Optional Incremental Pulses | 4096 |
| Manual Functions | Preset + complement via cable or connector |
| Interface Cycle Time | $\geq 25 \mu\text{s}$ |

Outputs

| | |
|-------------------------|-------------------------------------|
| Output Driver | SSI (RS422) / Incr. (Push Pull) |
| Output Incremental | A, /A, B, /B, Z, /Z |
| Quadrature Phasing | $90^\circ \pm 4.5^\circ$ electrical |
| Max. Frequency Response | 2 MHz |

Electrical Data

| | |
|-----------------------------|-------------------------|
| Supply Voltage | 10 - 30 VDC |
| Power Consumption | $\leq 1.5 \text{ W}$ |
| Start-Up Time | $< 250 \text{ ms}$ |
| Clock Input | RS 422, via Optocoupler |
| Clock Frequency | 100 kHz - 2 MHz |
| Reverse Polarity Protection | Yes |
| Short Circuit Protection | Yes |
| EMC: Emitted Interference | DIN EN 61000-6-4 |
| EMC: Noise Immunity | DIN EN 61000-6-2 |

Data Sheet

Printed at 27-09-2017 20:09

POSITAL

FRABA



MTTF 16.2 years @ 40 °C

Sensor

| | |
|------------------------|---|
| Technology | Optical |
| Resolution Singleturn | 16 bit |
| Resolution Multiturn | 14 bit |
| Multiturn Technology | Mechanical Gearing (no Battery) |
| Accuracy (INL) | $\pm 0.0220^\circ$ (14 - 16 bit), $\pm 0.0439^\circ$ (≤ 13 bit) |
| Sense Signal (Default) | Clockwise shaft movement (front view on shaft) |
| Code | Gray |
| Incremental Pulses | 4096 |

Environmental Specifications

| | |
|----------------------------|------------------------------------|
| Protection Class (Shaft) | IP65 |
| Protection Class (Housing) | IP65 |
| Operating Temperature | -40 °C (-40 °F) - +85 °C (+185 °F) |
| Humidity | 98% RH, no condensation |

Mechanical Data

| | |
|--|--|
| Housing Material | Steel |
| Housing Coating | Wet coating (RAL 9006 White Aluminium) + Cathodic corrosion protection (>720 h salt spay resistance) |
| Flange Type | Clamp, \varnothing 58 mm (C) |
| Flange Material | Aluminum |
| Shaft Type | Solid, Length = 10 mm |
| Shaft Diameter | \varnothing 6 mm (0.24") |
| Shaft Material | Stainless Steel V2A (1.4305, 303) |
| Max. Shaft Load | Axial 40 N, Radial 110 N |
| Minimum Mechanical Lifetime (10 ⁸ revolutions with Fa/Fr) | 530 (20 N / 40 N), 185 (40 N / 60 N), 130 (40 N / 80 N), 80 (40 N / 110 N) |
| Rotor Inertia | $\leq 30 \text{ gcm}^2$ [$\leq 0.17 \text{ oz-in}^2$] |
| Friction Torque | $\leq 3 \text{ Ncm}$ @ 20 °C (4.2 oz-in @ 68 °F) |
| Max. Permissible Mechanical Speed | $\leq 12000 \text{ 1/min}$ |
| Shock Resistance | $\leq 100 \text{ g}$ (half sine 6 ms, EN 60068-2-27) |
| Permanent Shock Resistance | $\leq 10 \text{ g}$ (half sine 16 ms, EN 60068-2-29) |
| Vibration Resistance | $\leq 10 \text{ g}$ (10 Hz - 1000 Hz, EN 60068-2-6) |
| Length | 52,7 mm (2.07") |

Data Sheet

Printed at 27-09-2017 20:09

POSITAL

FRABA



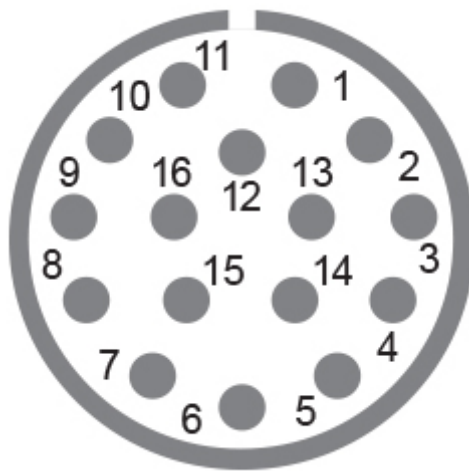
Weight 275 g (0.61 lb)

Electrical Connection

Connection Orientation Radial
 Connector M23, Male, 16 pin

Certification

Approval CE + cULus listed, Industrial Control Equipment
 Product Life Cycle Established



Connection Plan

| SIGNAL | PIN NUMBER |
|--------------|------------|
| Power Supply | 11 |
| GND | 12 |
| Data+ | 3 |
| Data- | 4 |
| Clock+ | 2 |
| Clock- | 1 |
| DIR | 8 |
| Preset | 9 |
| A | 5 |
| /A | 6 |
| B | 7 |
| /B | 10 |
| Z | 13 |
| /Z | 14 |

Data Sheet

Printed at 27-09-2017 20:09

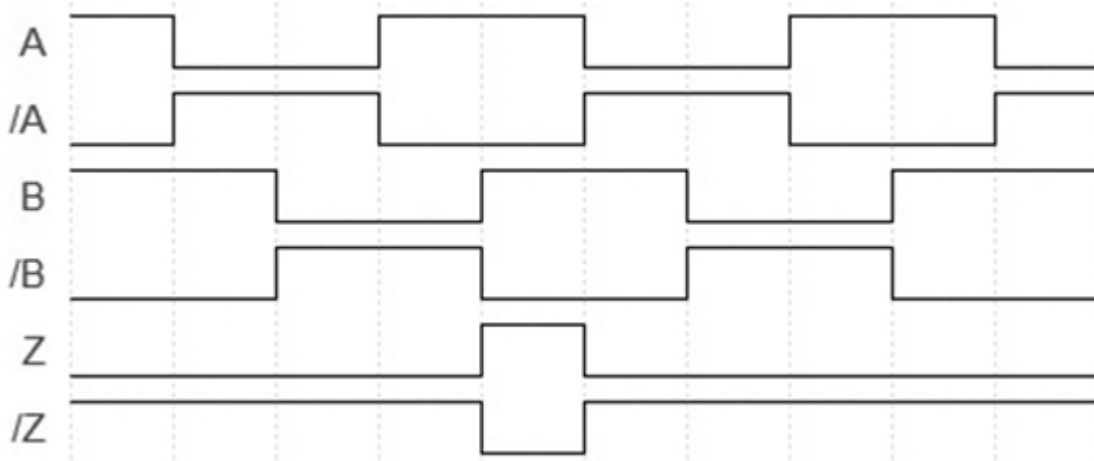


Shielding

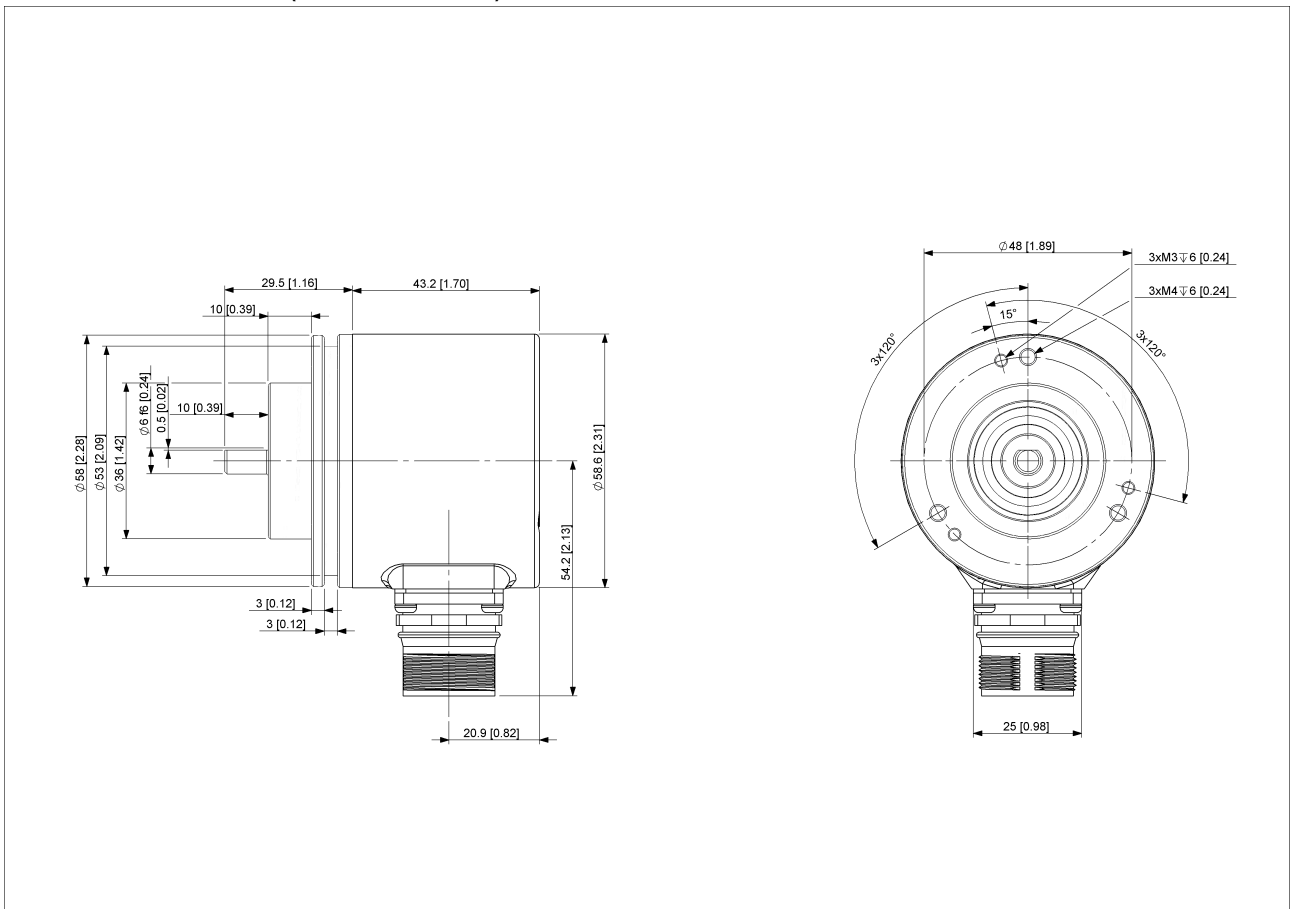
Housing

Connector-View on Encoder

Pulse Diagram



Rotation Clockwise (seen on shaft)



Data Sheet

Printed at 27-09-2017 20:09



[2D Drawing](#)

Accessories

Connectors & Cables

5m PVC Cable, 16pin, f

1m PVC Cable, 16pin, f

2m PVC Cable, 16pin, f

10m PVC Cable, 16pin, f

M23, 16pin, Female

More

Clamp Disc w/ Eccentric Hole-4pcs

Clamp Disc w/ Centred Hole-4pcs

Coupling Bellow Type-06-06

Coupling Bellow Type-06-10

Coupling Bellow Type-06-08

Coupling Bellow Type-06-(3/8")

Coupling Bellow Type-06-(1/4")

Coupling Jaw Type-06-06

Coupling Jaw Type-06-10

Coupling Jaw Type-06-08

Coupling Jaw Type-06-12

Coupling Jaw Type-06-(1/4")

Coupling Jaw Type-06-(3/8")

Coupling Disc Type-06-06

Coupling Disc Type-06-10

More

Mounting Bracket for Clamping Flange w/ fixtures

L Mounting Bracket w/ screws

Mounting Bracket Spring Loaded f. Clamping Flange

Contact

POSITAL

FRABA



POSITAL
Contact Us

The picture and drawing are for general presentation purposes only. Please refer to the "Download" section for detailed technical drawings. All dimension in [inch] mm. © FRABA B.V., All rights reserved. We do not assume responsibility for technical inaccuracies or omissions. Specifications are subject to change without notice.