



### IXARC Absolute Rotary Encoder

### OCD-S6D1B-1416-S10S-2AW



#### Interface

|                             |  |
|-----------------------------|--|
| Interface                   | SSI with Preset + Incremental Push Pull    |
| Optional Incremental Pulses | 8192                                       |
| Manual Functions            | Preset + complement via cable or connector |
| Interface Cycle Time        | $\geq 25 \mu\text{s}$                      |

#### Outputs

|                         |                                     |
|-------------------------|-------------------------------------|
| Output Driver           | SSI (RS422) / Incr. (Push Pull)     |
| Output Incremental      | A, /A, B, /B, Z, /Z                 |
| Quadrature Phasing      | $90^\circ \pm 4.5^\circ$ electrical |
| Max. Frequency Response | 2 MHz                               |

#### Electrical Data

|                             |                         |
|-----------------------------|-------------------------|
| Supply Voltage              | 10 - 30 VDC             |
| Power Consumption           | $\leq 1.5 \text{ W}$    |
| Start-Up Time               | $< 250 \text{ ms}$      |
| Clock Input                 | RS 422, via Optocoupler |
| Clock Frequency             | 100 kHz - 2 MHz         |
| Reverse Polarity Protection | Yes                     |
| Short Circuit Protection    | Yes                     |
| EMC: Emitted Interference   | DIN EN 61000-6-4        |
| EMC: Noise Immunity         | DIN EN 61000-6-2        |

Data Sheet

Printed at 27-09-2017 20:09

# POSITAL

## FRABA



MTTF 16.2 years @ 40 °C

### Sensor

|                        |  |
|------------------------|--|
| Technology             | Optical  |
| Resolution Singleturn  | 16 bit   |
| Resolution Multiturn   | 14 bit   |
| Multiturn Technology   | Mechanical Gearing (no Battery)                |
| Accuracy (INL)         | ±0.0220° (14 - 16 bit), ±0.0439° (≤13 bit)     |
| Sense Signal (Default) | Clockwise shaft movement (front view on shaft) |
| Code                   | Binary   |
| Incremental Pulses     | 8192   |

### Environmental Specifications

|                            |   |
|----------------------------|---|
| Protection Class (Shaft)   | IP66/IP67   |
| Protection Class (Housing) | IP66/IP67   |
| Operating Temperature      | -30 °C fixed (-22 °F), -5 °C flexible (+23 °F) - +70 °C (+158 °F) |
| Humidity                   | 98% RH, no condensation   |

### Mechanical Data

|  |  |
|--|--|
| Housing Material   | Steel  |
| Housing Coating  | Wet coating (RAL 9006 White Aluminium) + Cathodic corrosion protection (>720 h salt spay resistance) |
| Flange Type  | Synchro, ø 58 mm (S)   |
| Flange Material  | Aluminum   |
| Shaft Type   | Solid, Length = 20 mm  |
| Shaft Diameter   | ø 10 mm (0.39")  |
| Shaft Material   | Stainless Steel V2A (1.4305, 303)  |
| Max. Shaft Load  | Axial 40 N, Radial 110 N   |
| Minimum Mechanical Lifetime (10 <sup>8</sup> revolutions with Fa/Fr) | 420 (20 N / 40 N), 145 (40 N / 60 N), 100 (40 N / 80 N), 55 (40 N / 110 N)                           |
| Rotor Inertia  | ≤ 30 gcm <sup>2</sup> [≤ 0.17 oz-in <sup>2</sup> ]   |
| Friction Torque  | ≤ 5 Ncm @ 20 °C, (7.1 oz-in @ 68 °F)   |
| Max. Permissible Mechanical Speed                                    | ≤ 12000 1/min  |
| Shock Resistance   | ≤ 100 g (half sine 6 ms, EN 60068-2-27)  |
| Permanent Shock Resistance   | ≤ 10 g (half sine 16 ms, EN 60068-2-29)  |
| Vibration Resistance   | ≤ 10 g (10 Hz - 1000 Hz, EN 60068-2-6)   |

Data Sheet

Printed at 27-09-2017 20:09

# POSITAL

## FRABA



|        |                 |
|--------|-----------------|
| Length | 56,7 mm (2.23") |
| Weight | 285 g (0.63 lb) |

### Electrical Connection

|                        |                                  |
|------------------------|----------------------------------|
| Connection Orientation | Axial                            |
| Cable Length           | 2 m [79"]                        |
| Wire Cross Section     | 0.14 mm <sup>2</sup> / AWG 26    |
| Material / Type        | PVC                              |
| Cable Diameter         | 8 mm (0.31 in)                   |
| Minimum Bend Radius    | 35 mm (1.38) fixed, 70 mm (2.76) |

### Certification

|                    |   |
|--------------------|---|
| Approval           | CE + cULus listed, Industrial Control Equipment |
| Product Life Cycle | Established                                     |

### Connection Plan

| SIGNAL       | CABLE COLOR |
|--------------|-------------|
| Power Supply | Brown       |
| GND          | White       |
| Data+        | Gray        |
| Data-        | Pink        |
| Clock+       | Green       |
| Clock-       | Yellow      |
| DIR          | Red         |
| Preset       | Blue        |
| A            | Black       |
| /A           | Violet      |
| B            | Gray-Pink   |
| /B           | Red-Blue    |
| Z            | White-Green |
| /Z           | Brown-Green |
| Shielding    | Shield      |

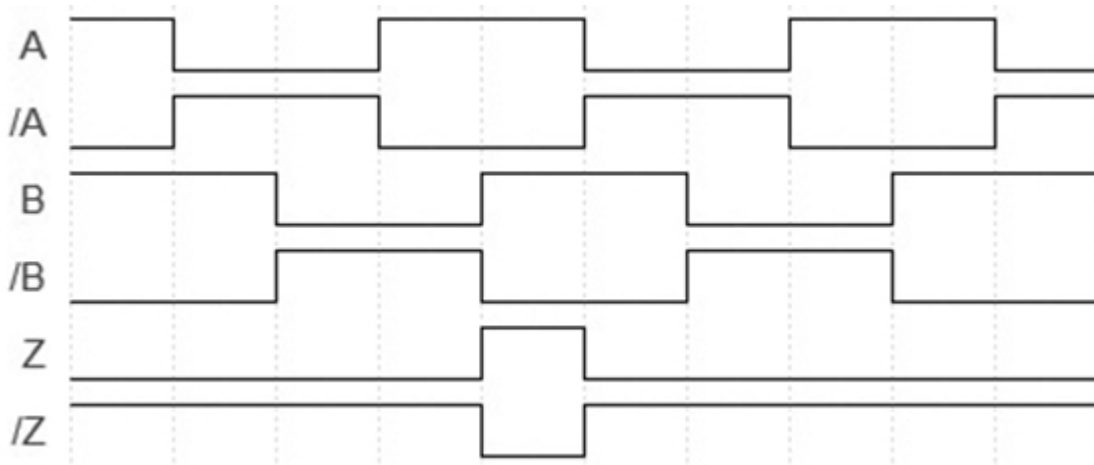
Connector-View on Encoder

### Pulse Diagram

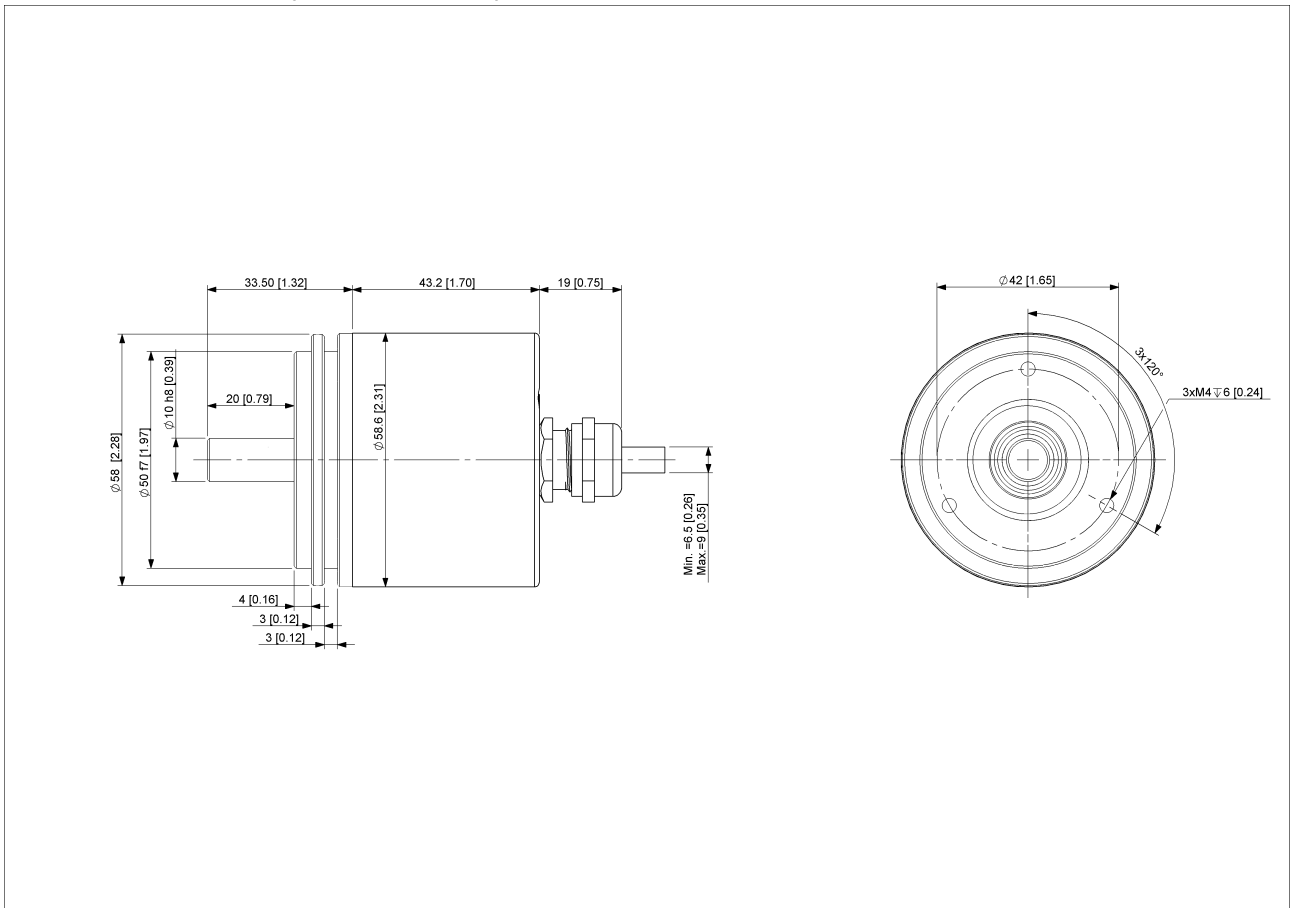
Data Sheet  
Printed at 27-09-2017 20:09

# POSITAL

## FRABA



Rotation Clockwise (seen on shaft)



[2D Drawing](#)

### Accessories

Clamp Disc w/ Eccentric Hole-4pcs

Clamp Disc w/ Centred Hole-4pcs

Data Sheet

Printed at 27-09-2017 20:09



Coupling Disc Type-10-12  
Coupling Bellow Type-10-10  
Coupling Bellow Type-06-10  
Coupling Bellow Type-08-10  
Coupling Bellow Type-10-12  
Coupling Bellow Type-10-(1/4")  
Coupling Bellow Type-10-(3/8")  
Coupling Jaw Type-06-10  
Coupling Jaw Type-08-10  
Coupling Jaw Type-10-12  
Coupling Jaw Type-10-(1/4")  
Coupling Jaw Type-10-(3/8")  
Coupling Jaw Type-10-10  
Coupling Disc Type-06-10  
Coupling Disc Type-10-10  
More

Mounting Bracket for Synchro Flange w/ fixtures

### Contact



POSITAL  
Contact Us

The picture and drawing are for general presentation purposes only. Please refer to the "Download" section for detailed technical drawings. All dimension in [inch] mm. © FRABA B.V., All rights reserved. We do not assume responsibility for technical inaccuracies or omissions. Specifications are subject to change without notice.