



# POSITAL

## FRABA

### IXARC Absolute Rotary Encoder

UCD-CA01B-1213-G10G-2RV



#### Interface

Interface	CANopen
Profile	DS-406
Programming Functions	Resolution, preset, 2 limit switches, 8 CAMS, baud rate, CAN-Identifier, bootloader, transmission modes: polled, cyclic, sync
Features	Round Axis
Transmission Rate	min. 20 kBaud, max. 1 MBaud
Interface Cycle Time	≥ 1 ms
Video Manual	<a href="#">▶ Watch a simple installation video</a>

#### Outputs

Output Driver	Transceiver (ISO 11898), Galvanically Isolated by Opto-Couplers
---------------	---

#### Electrical Data

Supply Voltage	9 - 30 VDC
Power Consumption	≤ 1.2 W
Reverse Polarity Protection	Yes
Short Circuit Protection	Yes
EMC: Emitted Interference	DIN EN 61000-6-4
EMC: Noise Immunity	DIN EN 61000-6-2
MTTF	240 years @ 40 °C

Data Sheet

Printed at 9-04-2018 13:04



# POSITAL

## FRABA

### Sensor

Technology	Magnetic
Resolution Singleturn	13 bit
Resolution Multiturn	12 bit
Multiturn Technology	Self powered magnetic pulse counter (no battery, no gear)
Accuracy (INL)	$\pm 0.0878^\circ$ ( $\leq 12$ bit)
Code	Binary

### Environmental Specifications

Protection Class (Shaft)	IP68/IP69K
Protection Class (Housing)	IP68/IP69K
Operating Temperature	-40 °C fixed (-40 °F), -30 °C flexible (-22 °F) - +80 °C (+176 °F)
Storage Temperature	-40 °C (-40 °F) - +85 °C (+185 °F)
Humidity	98% RH, no condensation

### Mechanical Data

Connection Cap Material	None
Housing Material	Stainless Steel V4A (1.4404, 316 L)
Housing Coating	No Coating
Flange Type	Synchro, $\varnothing$ 42 mm Heavy Duty
Flange Material	Stainless steel V4A (1.4404, 316 L)
Shaft Type	Solid, Length = 20 mm
Shaft Diameter	$\varnothing$ 10 mm (0.39")
Shaft Material	Stainless Steel V4A (1.4112, 440 B), hardened
Max. Shaft Load	Axial 300 N, Radial 300 N
Minimum Mechanical Lifetime ( $10^8$ revolutions with Fa/Fr)	7.6 (300N / 300 N), 10 (270 N / 270 N), 200 (100 N / 100 N)
Friction Torque	$\leq 3$ Ncm @ 20 °C (4.2 oz-in @ 68 °F)
Max. Permissible Mechanical Speed	$\leq 6000$ 1/min
Shock Resistance	$\leq 200$ g (half sine 11 ms, EN 60068-2-27)
Permanent Shock Resistance	$\leq 30$ g (half sine 16 ms, EN 60068-2-29)
Vibration Resistance	$\leq 30$ g (10 Hz - 1000 Hz, EN 60068-2-6)
Length	69 mm (2.72")
Weight	610 g (1.34 lb)

### Electrical Connection

Data Sheet

Printed at 9-04-2018 13:04



# POSITAL

## FRABA

Connection Orientation	Radial
Connection Type	Cable / Connector
Wire Cross Section	0.34 mm <sup>2</sup> / AWG 22
Material / Type	PUR / PU
Cable Diameter	7.5 mm (0.30 in)
Minimum Bend Radius	56 mm (2.2") fixed, 75 mm (3") flexing

### Certification

Approval	CE + cULus listed, Industrial Control Equipment + E1
Product Life Cycle	Established

### Connection Plan

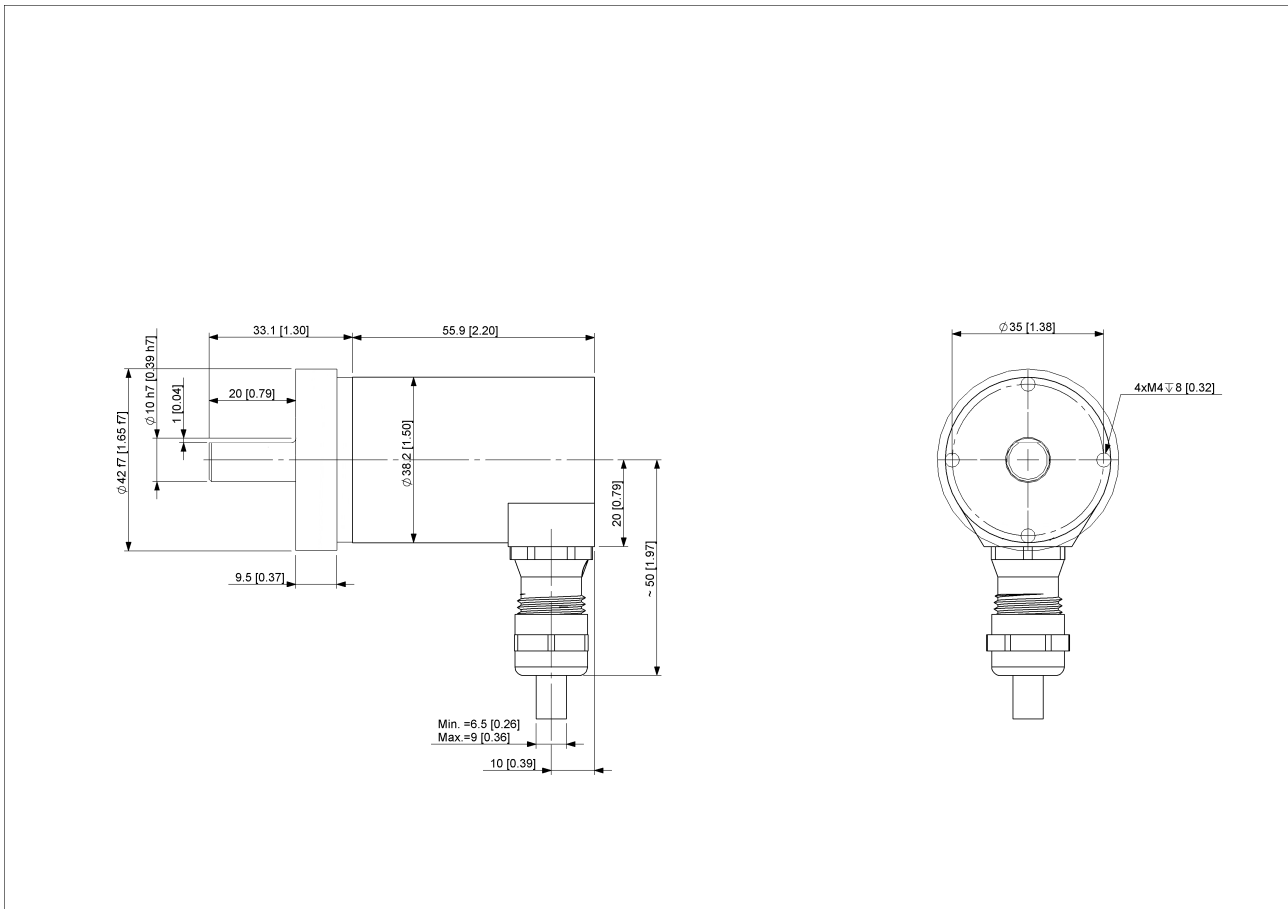
SIGNAL	CABLE COLOR
Power Supply	Red
GND	Yellow
CAN High	White
CAN Low	Brown
CAN GND	Green

Connector-View on Encoder



# POSITAL

## FRABA



### [2D Drawing](#)

### Accessories

#### Couplings

- Coupling Disc Type-10-12
- Coupling Bellow Type-10-10
- Coupling Bellow Type-06-10
- Coupling Bellow Type-08-10
- Coupling Bellow Type-10-12
- Coupling Bellow Type-10-(1/4")
- Coupling Bellow Type-10-(3/8")
- Coupling Jaw Type-06-10
- Coupling Jaw Type-08-10
- Coupling Jaw Type-10-12
- Coupling Jaw Type-10-(1/4")
- Coupling Jaw Type-10-(3/8")
- Coupling Jaw Type-10-10
- Coupling Disc Type-06-10

Data Sheet

Printed at 9-04-2018 13:04



# POSITAL

---

## FRABA

Coupling Disc Type-10-10  
More

**Contact**



Contact Us

The picture and drawing are for general presentation purposes only. Please refer to the "Download" section for detailed technical drawings. All dimension in [inch] mm. © FRABA B.V., All rights reserved. We do not assume responsibility for technical inaccuracies or omissions. Specifications are subject to change without notice.