



# POSITAL

## FRABA

### IXARC Absolute Rotary Encoder

UCD-CA01B-1312-HSS0-2AW



#### Interface

Interface	CANopen
Profile	DS-406
Programming Functions	Resolution, preset, 2 limit switches, 8 CAMS, baud rate, CAN-Identifier, bootloader, transmission modes: polled, cyclic, sync
Features	Round Axis
Transmission Rate	min. 20 kBaud, max. 1 MBaud
Interface Cycle Time	≥ 1 ms
Video Manual	<a href="#">▶ Watch a simple installation video</a>

#### Outputs

Output Driver	Transceiver (ISO 11898), Galvanically Isolated by Opto-Couplers
---------------	---

#### Electrical Data

Supply Voltage	9 - 30 VDC
Power Consumption	≤ 1.2 W
Reverse Polarity Protection	Yes
Short Circuit Protection	Yes
EMC: Emitted Interference	DIN EN 61000-6-4
EMC: Noise Immunity	DIN EN 61000-6-2
MTTF	240 years @ 40 °C

Data Sheet

Printed at 27-09-2017 22:09



# POSITAL

## FRABA

### Sensor

Technology	Magnetic
Resolution Singleturn	12 bit
Resolution Multiturn	13 bit
Multiturn Technology	Self powered magnetic pulse counter (no battery, no gear)
Accuracy (INL)	$\pm 0.0878^\circ (\leq 12 \text{ bit})$
Code	Binary

### Environmental Specifications

Protection Class (Shaft)	IP65
Protection Class (Housing)	IP66/IP67
Operating Temperature	-30 °C fixed (-22 °F), -5 °C flexible (+23 °F) - +80 °C (+176 °F)
Storage Temperature	-40 °C (-40 °F) - +85 °C (+185 °F)
Humidity	98% RH, no condensation

### Mechanical Data

Connection Cap Material	None
Housing Material	Steel
Housing Coating	Cathodic corrosion protection (>720 hrs salt spray resistance)
Flange Type	Blind Hollow, $\varnothing$ 58 mm (H)
Flange Material	Aluminum
Shaft Type	Blind Hollow, Depth = 28 mm
Shaft Diameter	$\varnothing$ 9.52 mm (3/8")
Shaft Material	Stainless Steel V2A (1.4305, 303)
Rotor Inertia	$\leq 30 \text{ gcm}^2 [\leq 0.17 \text{ oz-in}^2]$
Friction Torque	$\leq 3 \text{ Ncm @ } 20 \text{ }^\circ\text{C}$ (4.2 oz-in @ 68 °F)
Max. Permissible Mechanical Speed	$\leq 12000 \text{ 1/min}$
Shock Resistance	$\leq 100 \text{ g}$ (half sine 6 ms, EN 60068-2-27)
Permanent Shock Resistance	$\leq 10 \text{ g}$ (half sine 16 ms, EN 60068-2-29)
Vibration Resistance	$\leq 10 \text{ g}$ (10 Hz - 1000 Hz, EN 60068-2-6)
Length	71,2 mm (2.80")
Weight	475 g (1.05 lb)

### Electrical Connection

Connection Orientation	Axial
------------------------	-------

Data Sheet

Printed at 27-09-2017 22:09



# POSITAL

## FRABA

Connection Type	Cable / Connector
Cable Length	2 m [79"]
Wire Cross Section	0.14 mm <sup>2</sup> / AWG 26
Material / Type	PVC
Cable Diameter	6 mm (0.24 in)
Minimum Bend Radius	46 mm (1.81") fixed, 61 mm (2.4") flexing

### Certification

Approval	CE + cULus listed, Industrial Control Equipment + E1
Product Life Cycle	Established

### Connection Plan

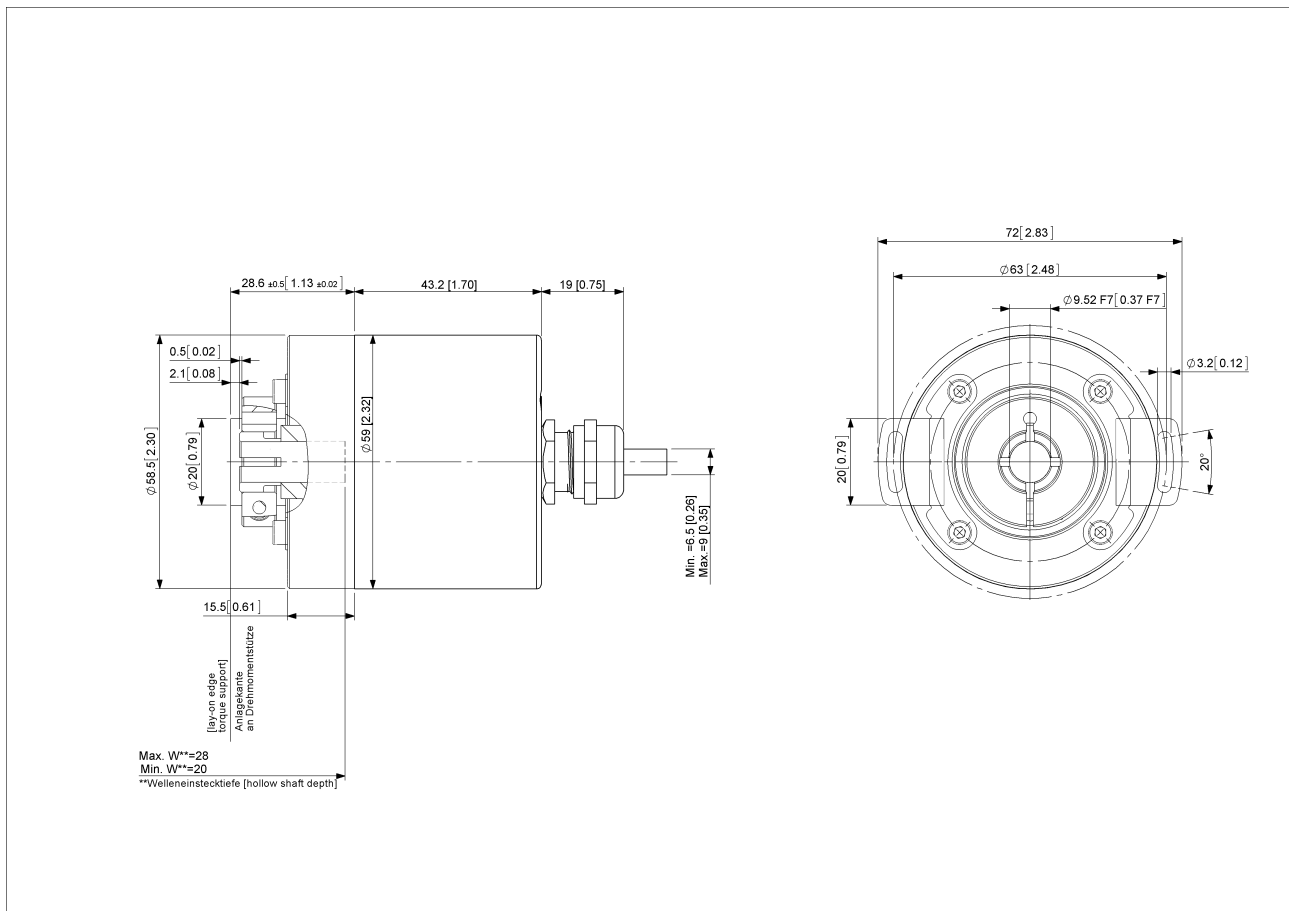
SIGNAL	CABLE COLOR
Power Supply	Red
GND	Yellow
CAN High	White
CAN Low	Brown
CAN GND	Green

Connector-View on Encoder



# POSITAL

## FRABA



### [2D Drawing](#)

### Accessories

Clamping Ring Hollow Shaft T120

### Contact



POSITAL  
Contact Us

The picture and drawing are for general presentation purposes only. Please refer to the "Download" section for detailed technical drawings. All dimension in [inch] mm. © FRABA B.V., All rights reserved. We do not assume responsibility for technical inaccuracies or omissions.

Data Sheet

Printed at 27-09-2017 22:09



# POSITAL

---

## FRABA

Specifications are subject to change without notice.