



POSITAL

FRABA

IXARC Absolute Rotary Encoder

UCD-CA01B-1312-VASA-2AW



Interface

Interface	CANopen
Profile	DS-406
Programming Functions	Resolution, preset, 2 limit switches, 8 CAMS, baud rate, CAN-Identifier, bootloader, transmission modes: polled, cyclic, sync
Features	Round Axis
Transmission Rate	min. 20 kBaud, max. 1 MBaud
Interface Cycle Time	≥ 1 ms
Video Manual	▶ Watch a simple installation video

Outputs

Output Driver	Transceiver (ISO 11898), Galvanically Isolated by Opto-Couplers
---------------	---

Electrical Data

Supply Voltage	9 - 30 VDC
Power Consumption	≤ 1.2 W
Reverse Polarity Protection	Yes
Short Circuit Protection	Yes
EMC: Emitted Interference	DIN EN 61000-6-4
EMC: Noise Immunity	DIN EN 61000-6-2
MTTF	240 years @ 40 °C

Data Sheet

Printed at 27-09-2017 22:09



POSITAL

FRABA

Sensor

Technology	Magnetic
Resolution Singleturn	12 bit
Resolution Multiturn	13 bit
Multiturn Technology	Self powered magnetic pulse counter (no battery, no gear)
Accuracy (INL)	$\pm 0.0878^\circ (\leq 12 \text{ bit})$
Code	Binary

Environmental Specifications

Protection Class (Shaft)	IP65
Protection Class (Housing)	IP54
Operating Temperature	-30 °C fixed (-22 °F), -5 °C flexible (+23 °F) - +80 °C (+176 °F)
Storage Temperature	-40 °C (-40 °F) - +85 °C (+185 °F)
Humidity	98% RH, no condensation

Mechanical Data

Connection Cap Material	None
Housing Material	Steel
Housing Coating	Cathodic corrosion protection (>720 hrs salt spray resistance)
Flange Type	Blind Hollow, $\varnothing 36 \text{ mm} / \varnothing 42 \text{ mm}$
Flange Material	Aluminum
Shaft Type	Blind Hollow, Depth = 18 mm
Shaft Diameter	$\varnothing 10 \text{ mm} (0.39\text{'})$
Shaft Material	Stainless Steel V2A (1.4305, 303)
Friction Torque	$\leq 3 \text{ Ncm @ } 20 \text{ }^\circ\text{C} (4.2 \text{ oz-in @ } 68 \text{ }^\circ\text{F})$
Max. Permissible Mechanical Speed	$\leq 12000 \text{ 1/min}$
Shock Resistance	$\leq 100 \text{ g (half sine 6 ms, EN 60068-2-27)}$
Permanent Shock Resistance	$\leq 10 \text{ g (half sine 16 ms, EN 60068-2-29)}$
Vibration Resistance	$\leq 10 \text{ g (10 Hz - 1000 Hz, EN 60068-2-6)}$
Length	54,2 mm (2.13")
Weight	255 g (0.56 lb)

Electrical Connection

Connection Orientation	Axial
Connection Type	Cable / Connector

Data Sheet

Printed at 27-09-2017 22:09



POSITAL

FRABA

Cable Length	2 m [79"]
Wire Cross Section	0.14 mm ² / AWG 26
Material / Type	PVC
Cable Diameter	6 mm (0.24 in)
Minimum Bend Radius	46 mm (1.81") fixed, 61 mm (2.4") flexing

Certification

Approval	CE
Product Life Cycle	Established

Connection Plan

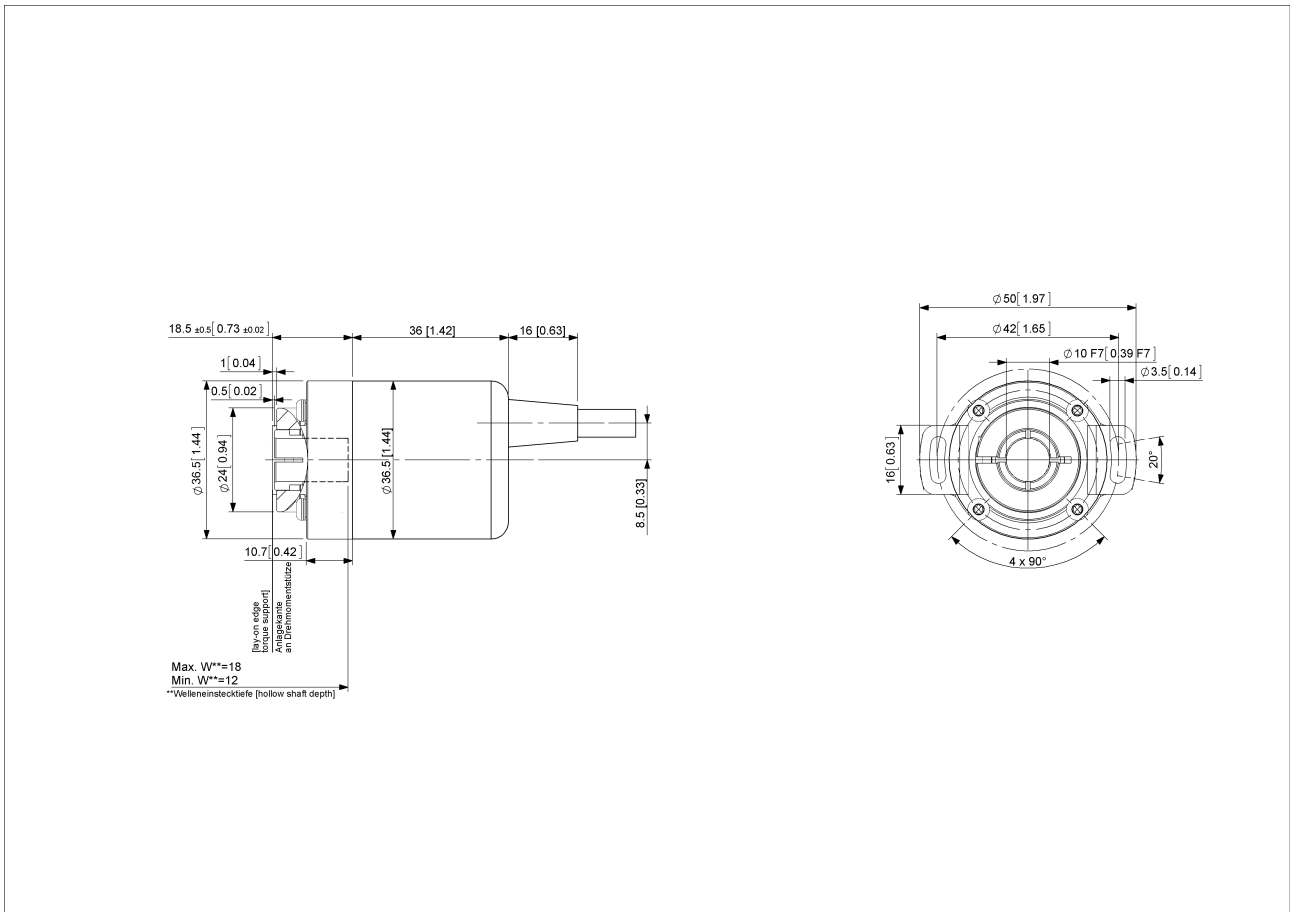
SIGNAL	CABLE COLOR
Power Supply	Red
GND	Yellow
CAN High	White
CAN Low	Brown
CAN GND	Green

Connector-View on Encoder



POSITAL

FRABA



[2D Drawing](#)

Accessories

Clamping Ring V12

Contact



POSITAL
Contact Us

The picture and drawing are for general presentation purposes only. Please refer to the "Download" section for detailed technical drawings. All dimension in [inch] mm. © FRABA B.V., All rights reserved. We do not assume responsibility for technical inaccuracies or omissions.

Data Sheet

Printed at 27-09-2017 22:09



POSITAL

FRABA

Specifications are subject to change without notice.