



POSITAL

FRABA

IXARC Absolute Rotary Encoder

UCD-CA01B-1413-HES0-2AW



Interface

| | |
|-----------------------|---|
| Interface | CANopen |
| Profile | DS-406 |
| Programming Functions | Resolution, preset, 2 limit switches, 8 CAMS, baud rate, CAN-Identifier, bootloader, transmission modes: polled, cyclic, sync |
| Features | Round Axis |
| Transmission Rate | min. 20 kBaud, max. 1 MBaud |
| Interface Cycle Time | ≥ 1 ms |
| Video Manual | ▶ Watch a simple installation video |

Outputs

| | |
|---------------|---|
| Output Driver | Transceiver (ISO 11898), Galvanically Isolated by Opto-Couplers |
|---------------|---|

Electrical Data

| | |
|-----------------------------|-------------------|
| Supply Voltage | 9 - 30 VDC |
| Power Consumption | ≤ 1.2 W |
| Reverse Polarity Protection | Yes |
| Short Circuit Protection | Yes |
| EMC: Emitted Interference | DIN EN 61000-6-4 |
| EMC: Noise Immunity | DIN EN 61000-6-2 |
| MTTF | 240 years @ 40 °C |

Data Sheet

Printed at 27-09-2017 23:09



POSITAL

FRABA

Sensor

| | |
|-----------------------|---|
| Technology | Magnetic |
| Resolution Singleturn | 13 bit |
| Resolution Multiturn | 14 bit |
| Multiturn Technology | Self powered magnetic pulse counter (no battery, no gear) |
| Accuracy (INL) | $\pm 0.0878^\circ (\leq 12 \text{ bit})$ |
| Code | Binary |

Environmental Specifications

| | |
|----------------------------|---|
| Protection Class (Shaft) | IP65 |
| Protection Class (Housing) | IP66/IP67 |
| Operating Temperature | -30 °C fixed (-22 °F), -5 °C flexible (+23 °F) - +80 °C (+176 °F) |
| Storage Temperature | -40 °C (-40 °F) - +85 °C (+185 °F) |
| Humidity | 98% RH, no condensation |

Mechanical Data

| | |
|-----------------------------------|--|
| Connection Cap Material | None |
| Housing Material | Steel |
| Housing Coating | Cathodic corrosion protection (>720 hrs salt spray resistance) |
| Flange Type | Blind Hollow, \varnothing 58 mm (H) |
| Flange Material | Aluminum |
| Shaft Type | Blind Hollow, Depth = 28 mm |
| Shaft Diameter | \varnothing 14 mm (0.55") |
| Shaft Material | Stainless Steel V2A (1.4305, 303) |
| Rotor Inertia | $\leq 30 \text{ gcm}^2 [\leq 0.17 \text{ oz-in}^2]$ |
| Friction Torque | $\leq 3 \text{ Ncm @ } 20^\circ\text{C}$ (4.2 oz-in @ 68 °F) |
| Max. Permissible Mechanical Speed | $\leq 12000 \text{ 1/min}$ |
| Shock Resistance | $\leq 100 \text{ g}$ (half sine 6 ms, EN 60068-2-27) |
| Permanent Shock Resistance | $\leq 10 \text{ g}$ (half sine 16 ms, EN 60068-2-29) |
| Vibration Resistance | $\leq 10 \text{ g}$ (10 Hz - 1000 Hz, EN 60068-2-6) |
| Length | 71,2 mm (2.80") |
| Weight | 475 g (1.05 lb) |

Electrical Connection

| | |
|------------------------|-------|
| Connection Orientation | Axial |
|------------------------|-------|

Data Sheet

Printed at 27-09-2017 23:09



POSITAL

FRABA

| | |
|---------------------|---|
| Connection Type | Cable / Connector |
| Cable Length | 2 m [79"] |
| Wire Cross Section | 0.14 mm ² / AWG 26 |
| Material / Type | PVC |
| Cable Diameter | 6 mm (0.24 in) |
| Minimum Bend Radius | 46 mm (1.81") fixed, 61 mm (2.4") flexing |

Certification

| | |
|--------------------|--|
| Approval | CE + cULus listed, Industrial Control Equipment + E1 |
| Product Life Cycle | Established |

Connection Plan

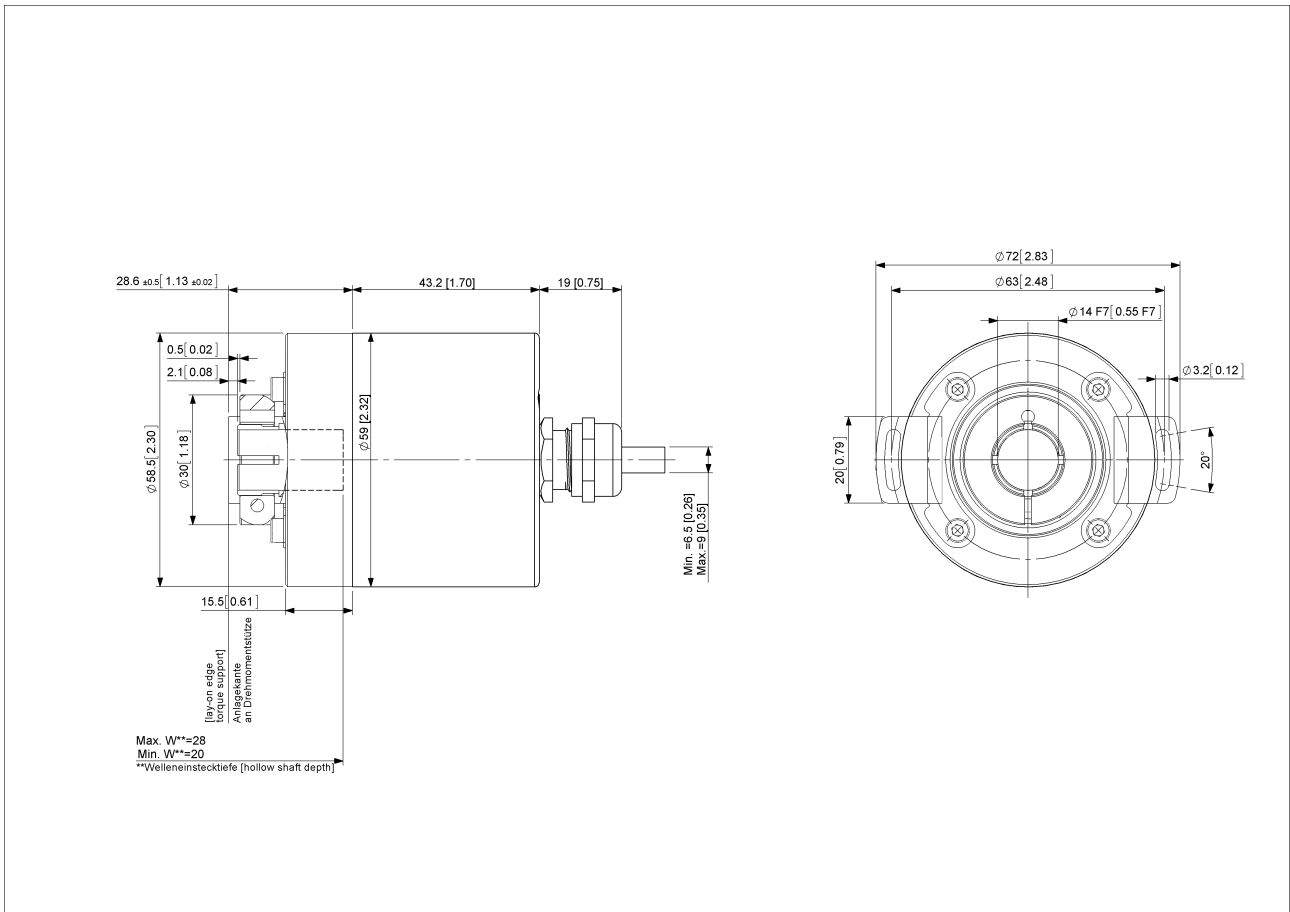
| | |
|--------------|-------------|
| SIGNAL | CABLE COLOR |
| Power Supply | Red |
| GND | Yellow |
| CAN High | White |
| CAN Low | Brown |
| CAN GND | Green |

Connector-View on Encoder



POSITAL

FRABA



[2D Drawing](#)

Accessories

Clamping Ring B15

Contact



POSITAL
Contact Us

The picture and drawing are for general presentation purposes only. Please refer to the "Download" section for detailed technical drawings. All dimension in [inch] mm. © FRABA B.V., All rights reserved. We do not assume responsibility for technical inaccuracies or omissions.

Data Sheet

Printed at 27-09-2017 23:09



POSITAL

FRABA

Specifications are subject to change without notice.