



# POSITAL

## FRABA

### IXARC Absolute Rotary Encoder

### UCD-CA01B-1413-VRS0-PAV

This product is a prototype

#### Interface

Interface	CANopen
Profile	DS-406
Programming Functions	Resolution, preset, 2 limit switches, 8 CAMS, baud rate, CAN-Identifier, bootloader, transmission modes: polled, cyclic, sync
Features	Round Axis
Transmission Rate	min. 20 kBaud, max. 1 MBaud
Interface Cycle Time	≥ 1 ms
Video Manual	<a href="#">▶ Watch a simple installation video</a>

#### Outputs

Output Driver	Transceiver (ISO 11898), Galvanically Isolated by Opto-Couplers
---------------	---

#### Electrical Data

Supply Voltage	9 - 30 VDC
Power Consumption	≤ 1.2 W
Reverse Polarity Protection	Yes
Short Circuit Protection	Yes
EMC: Emitted Interference	DIN EN 61000-6-4
EMC: Noise Immunity	DIN EN 61000-6-2
MTTF	240 years @ 40 °C

#### Sensor

Technology	Magnetic
Resolution Singleturn	13 bit
Resolution Multiturn	14 bit
Multiturn Technology	Self powered magnetic pulse counter (no battery, no gear)
Accuracy (INL)	±0.0878° (≤ 12 bit)
Code	Binary



# POSITAL

## FRABA

### Environmental Specifications

Protection Class (Shaft)	IP65
Protection Class (Housing)	IP65
Operating Temperature	-40 °C (-40 °F) - +85 °C (+185 °F)
Storage Temperature	-40 °C (-40 °F) - +85 °C (+185 °F)
Humidity	98% RH, no condensation

### Mechanical Data

Connection Cap Material	None
Housing Material	Steel
Housing Coating	Cathodic corrosion protection (>720 hrs salt spray resistance)
Flange Type	Blind Hollow, $\varnothing$ 36 mm / $\varnothing$ 42 mm
Flange Material	Aluminum
Shaft Type	Blind Hollow, Depth = 18 mm
Shaft Diameter	$\varnothing$ 6.35 mm (1/4")
Shaft Material	Stainless Steel V2A (1.4305, 303)
Friction Torque	$\leq$ 3 Ncm @ 20 °C (4.2 oz-in @ 68 °F)
Max. Permissible Mechanical Speed	$\leq$ 12000 1/min
Shock Resistance	$\leq$ 100 g (half sine 6 ms, EN 60068-2-27)
Permanent Shock Resistance	$\leq$ 10 g (half sine 16 ms, EN 60068-2-29)
Vibration Resistance	$\leq$ 10 g (10 Hz - 1000 Hz, EN 60068-2-6)
Length	54,2 mm (2.13")
Weight	155 g (0.34 lb)

### Electrical Connection

Connection Orientation	Axial
Connection Type	Cable / Connector
Connector	M12, Male, 5 pin, a coded, with LED

### Certification

Approval	CE + cULus listed, Industrial Control Equipment + E1
Product Life Cycle	Prototype



# POSITAL

## FRABA



---

### Connection Plan

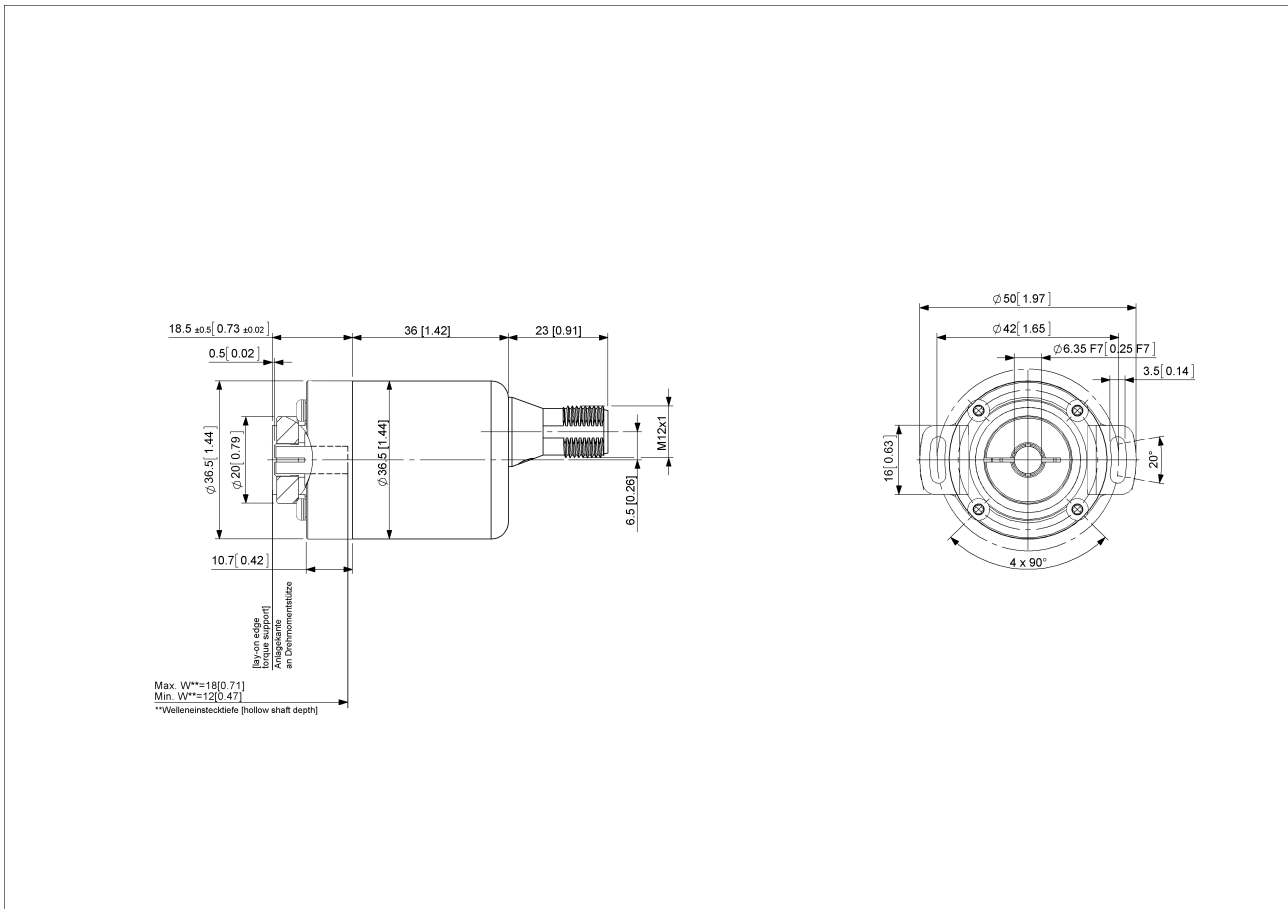
SIGNAL	PIN NUMBER
Power Supply	2
GND	3
CAN High	4
CAN Low	5
CAN GND	1

Connector-View on Encoder



# POSITAL

## FRABA



### [2D Drawing](#)

### Accessories

#### Connectors & Cables

10m PUR Cable, 5pin, A-Coded, f

2m PUR Cable, 5pin, A-Coded, f

5m PUR Cable, 5pin, A-Coded, f

M12, 5pin A-Coded, Female

More

Clamping Ring V06

### Contact

Data Sheet

Printed at 27-09-2017 23:09



# POSITAL

---

## FRABA



POSITAL  
Contact Us

The picture and drawing are for general presentation purposes only. Please refer to the "Download" section for detailed technical drawings.  
All dimension in [inch] mm. © FRABA B.V., All rights reserved. We do not assume responsibility for technical inaccuracies or omissions.  
Specifications are subject to change without notice.