



POSITAL

FRABA

IXARC Absolute Rotary Encoder

UCD-CA01B-1416-H6S0-PAV

This product is a prototype

Interface

| | |
|-----------------------|---|
| Interface | CANopen |
| Profile | DS-406 |
| Programming Functions | Resolution, preset, 2 limit switches, 8 CAMS, baud rate, CAN-Identifier, bootloader, transmission modes: polled, cyclic, sync |
| Features | Round Axis |
| Transmission Rate | min. 20 kBaud, max. 1 MBaud |
| Interface Cycle Time | ≥ 1 ms |
| Video Manual | ▶ Watch a simple installation video |

Outputs

| | |
|---------------|---|
| Output Driver | Transceiver (ISO 11898), Galvanically Isolated by Opto-Couplers |
|---------------|---|

Electrical Data

| | |
|-----------------------------|-------------------|
| Supply Voltage | 9 - 30 VDC |
| Power Consumption | ≤ 1.2 W |
| Reverse Polarity Protection | Yes |
| Short Circuit Protection | Yes |
| EMC: Emitted Interference | DIN EN 61000-6-4 |
| EMC: Noise Immunity | DIN EN 61000-6-2 |
| MTTF | 240 years @ 40 °C |

Sensor

| | |
|-----------------------|---|
| Technology | Magnetic |
| Resolution Singleturn | 16 bit |
| Resolution Multiturn | 14 bit |
| Multiturn Technology | Self powered magnetic pulse counter (no battery, no gear) |
| Accuracy (INL) | ±0.0878° (≤ 12 bit) |
| Code | Binary |



POSITAL

FRABA

Environmental Specifications

| | |
|----------------------------|------------------------------------|
| Protection Class (Shaft) | IP65 |
| Protection Class (Housing) | IP66/IP67 |
| Operating Temperature | -40 °C (-40 °F) - +85 °C (+185 °F) |
| Storage Temperature | -40 °C (-40 °F) - +85 °C (+185 °F) |
| Humidity | 98% RH, no condensation |

Mechanical Data

| | |
|-----------------------------------|--|
| Connection Cap Material | None |
| Housing Material | Steel |
| Housing Coating | Cathodic corrosion protection (>720 hrs salt spray resistance) |
| Flange Type | Blind Hollow, \varnothing 58 mm (H) |
| Flange Material | Aluminum |
| Shaft Type | Blind Hollow, Depth = 28 mm |
| Shaft Diameter | \varnothing 6 mm (0.24") |
| Shaft Material | Stainless Steel V2A (1.4305, 303) |
| Rotor Inertia | $\leq 30 \text{ gcm}^2$ [$\leq 0.17 \text{ oz-in}^2$] |
| Friction Torque | $\leq 3 \text{ Ncm}$ @ 20 °C (4.2 oz-in @ 68 °F) |
| Max. Permissible Mechanical Speed | $\leq 12000 \text{ 1/min}$ |
| Shock Resistance | $\leq 100 \text{ g}$ (half sine 6 ms, EN 60068-2-27) |
| Permanent Shock Resistance | $\leq 10 \text{ g}$ (half sine 16 ms, EN 60068-2-29) |
| Vibration Resistance | $\leq 10 \text{ g}$ (10 Hz - 1000 Hz, EN 60068-2-6) |
| Length | 71,2 mm (2.80") |
| Weight | 375 g (0.83 lb) |

Electrical Connection

| | |
|------------------------|-------------------------------------|
| Connection Orientation | Axial |
| Connection Type | Cable / Connector |
| Connector | M12, Male, 5 pin, a coded, with LED |

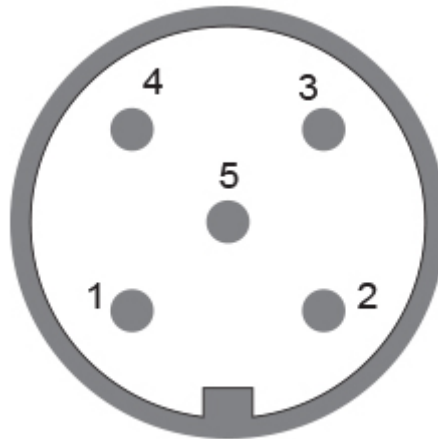
Certification

| | |
|--------------------|--|
| Approval | CE + cULus listed, Industrial Control Equipment + E1 |
| Product Life Cycle | Prototype |



POSITAL

FRABA



Connection Plan

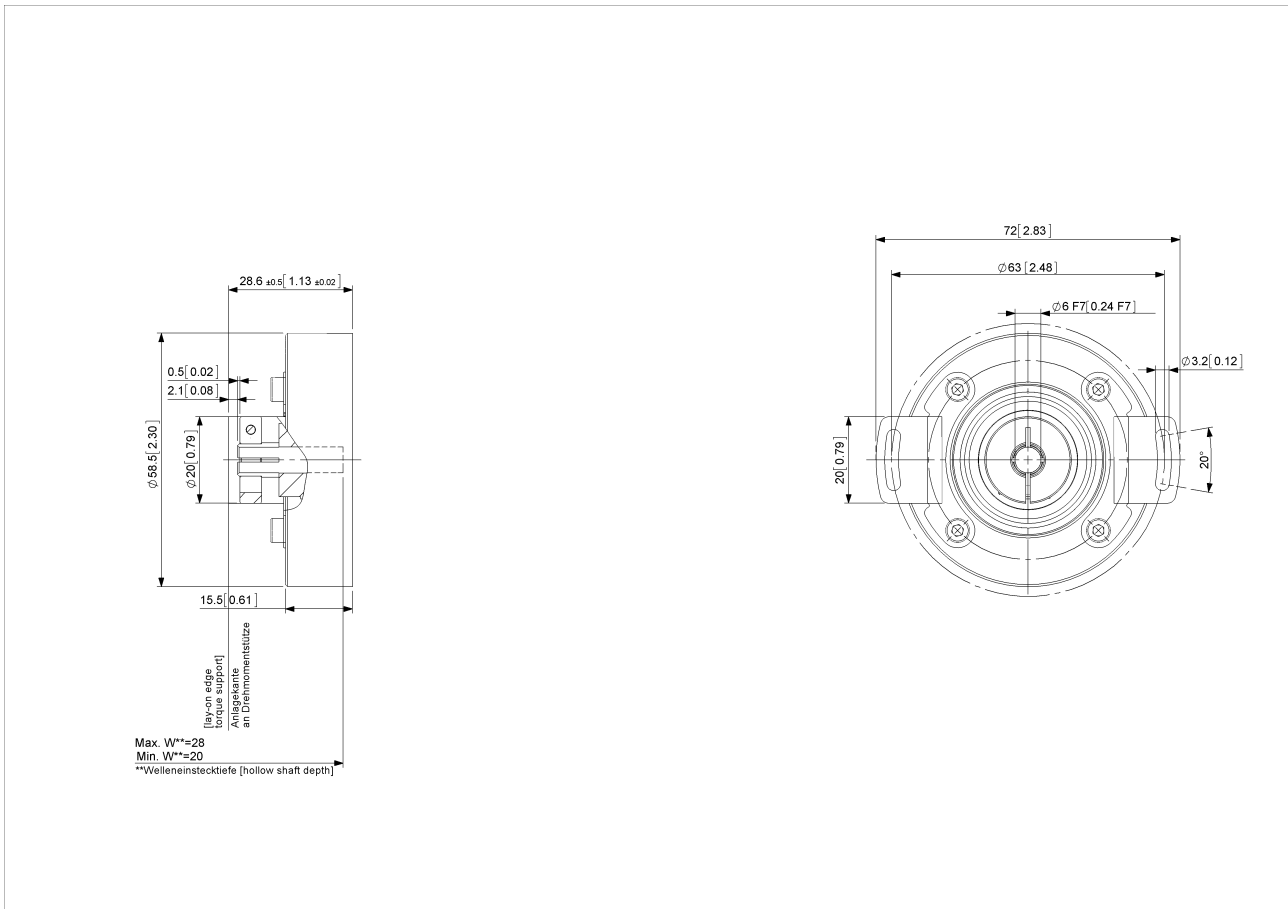
| SIGNAL | PIN NUMBER |
|--------------|------------|
| Power Supply | 2 |
| GND | 3 |
| CAN High | 4 |
| CAN Low | 5 |
| CAN GND | 1 |

Connector-View on Encoder
Dimensional Drawing



POSITAL

FRABA



[2D Drawing](#)

Accessories

Connectors & Cables

10m PUR Cable, 5pin, A-Coded, f

2m PUR Cable, 5pin, A-Coded, f

5m PUR Cable, 5pin, A-Coded, f

M12, 5pin A-Coded, Female

More

Clamping Ring V06

Contact

Data Sheet

Printed at 27-09-2017 23:09



POSITAL

FRABA



POSITAL
Contact Us

The picture and drawing are for general presentation purposes only. Please refer to the "Download" section for detailed technical drawings. All dimension in [inch] mm. © FRABA B.V., All rights reserved. We do not assume responsibility for technical inaccuracies or omissions. Specifications are subject to change without notice.