



POSITAL

FRABA

IXARC Incremental Encoder

UCD-IPH00-01024-HTS0-2RW



Interface

| | |
|-----------------------|---|
| Interface | Programmable Incremental |
| Programming Functions | PPR (1-16384), Output, Counting Direction |
| Configuration Tool | UBIFAST Configuration Tool (Version \geq 1.6.3) |

Outputs

| | |
|---|---|
| Output Driver | Push-Pull (HTL) |
| Quadrature Phasing | $90^\circ \pm 4.5^\circ$ electrical |
| Output Voltage High Level Push-Pull (HTL) | $> 4 \text{ V @ } 4.75\text{-}9 \text{ V Supply Voltage}$ $> \text{V-}3 \text{ V @ } 9\text{-}30 \text{ V Supply Voltage}$ |
| Output Voltage Low Level Push-Pull (HTL) | $< 0.5 \text{ V}$ |
| Output Voltage High Level RS422 (TTL) | $> 4 \text{ V}$ |
| Output Voltage Low Level RS422 (TTL) | $< 0.5 \text{ V}$ |
| Maximum Frequency Response | 1 MHz |
| Maximum Switching Current | 50 mA per Channel |

Electrical Data

| | |
|----------------------|---|
| Supply Voltage | 4.75 - 30 VDC |
| Current Consumption | $\leq 140\text{mA @ } 5\text{V DC}$, $\leq 70\text{mA @ } 10\text{V DC}$, $\leq 40\text{mA @ } 24\text{V DC}$ |
| Power Consumption | $\leq 1.0 \text{ W}$ |
| Start-Up Time | $< 250 \text{ ms}$ |
| Min. Load Resistance | 120 Ω |

Data Sheet

Printed at 15-02-2018 14:02



POSITAL

FRABA

| | |
|-----------------------------|-------------------|
| Reverse Polarity Protection | Yes |
| Short Circuit Protection | Yes |
| EMC: Emitted Interference | DIN EN 61000-6-4 |
| EMC: Noise Immunity | DIN EN 61000-6-2 |
| MTTF | 280 years @ 40 °C |

Sensor

| | |
|----------------|---|
| Technology | Magnetic |
| Accuracy (INL) | $\pm 0.0878^\circ$ (≤ 12 bit) |
| Duty Cycle | $180^\circ \pm 27^\circ$ (Speed > 100RPM) |
| Phase Angle | $90^\circ \pm 14^\circ$ (Speed > 100RPM) |

Environmental Specifications

| | |
|----------------------------|---|
| Protection Class (Shaft) | IP65 |
| Protection Class (Housing) | IP66/IP67 |
| Operating Temperature | -30 °C fixed (-22 °F), -5 °C flexible (+23 °F) - +70 °C (+158 °F) |
| Humidity | 98% RH, no condensation |

Mechanical Data

Mechanical Data

| | |
|-----------------------------------|---|
| Housing Material | Steel |
| Housing Coating | Wet coating (RAL 9006 White Aluminium) + Cathodic corrosion protection (>720 h salt spray resistance) |
| Flange Type | Blind Hollow, \varnothing 58 mm (H) |
| Flange Material | Aluminum |
| Shaft Type | Blind Hollow, Depth = 28 mm |
| Shaft Diameter | \varnothing 12.7 mm (1/2") |
| Shaft Material | Stainless Steel V2A (1.4305, 303) |
| Rotor Inertia | ≤ 30 gcm ² [≤ 0.17 oz-in ²] |
| Friction Torque | ≤ 3 Ncm @ 20 °C (4.2 oz-in @ 68 °F) |
| Max. Permissible Mechanical Speed | ≤ 12000 1/min |
| Shock Resistance | ≤ 100 g (half sine 6 ms, EN 60068-2-27) |
| Permanent Shock Resistance | ≤ 10 g (half sine 16 ms, EN 60068-2-29) |
| Vibration Resistance | ≤ 10 g (10 Hz - 1000 Hz, EN 60068-2-6) |
| Length | 71,2 mm (2.80") |

Data Sheet

Printed at 15-02-2018 14:02



POSITAL

FRABA

| | |
|--------|-----------------|
| Weight | 720 g (1.59 lb) |
|--------|-----------------|

Electrical Connection

| | |
|------------------------|---|
| Connection Orientation | Radial |
| Cable Length | 2 m [79"] |
| Wire Cross Section | 0.14 mm ² / AWG 26 |
| Material / Type | PVC |
| Cable Diameter | 6 mm (0.24 in) |
| Minimum Bend Radius | 46 mm (1.81") fixed, 61 mm (2.4") flexing |

Certification

| | |
|----------|---|
| Approval | CE + cULus listed, Industrial Control Equipment |
|----------|---|

Product Life Cycle

| | |
|--------------------|-------------|
| Product Life Cycle | Established |
|--------------------|-------------|

Connection Plan

| SIGNAL | CABLE COLOR |
|--------------|-------------|
| A | Green |
| /A | Yellow |
| B | Gray |
| /B | Pink |
| Z | Blue |
| /Z | Red |
| Power Supply | Brown |
| GND | White |
| Shielding | Shield |

Connector-View on Encoder

Pulse Diagram

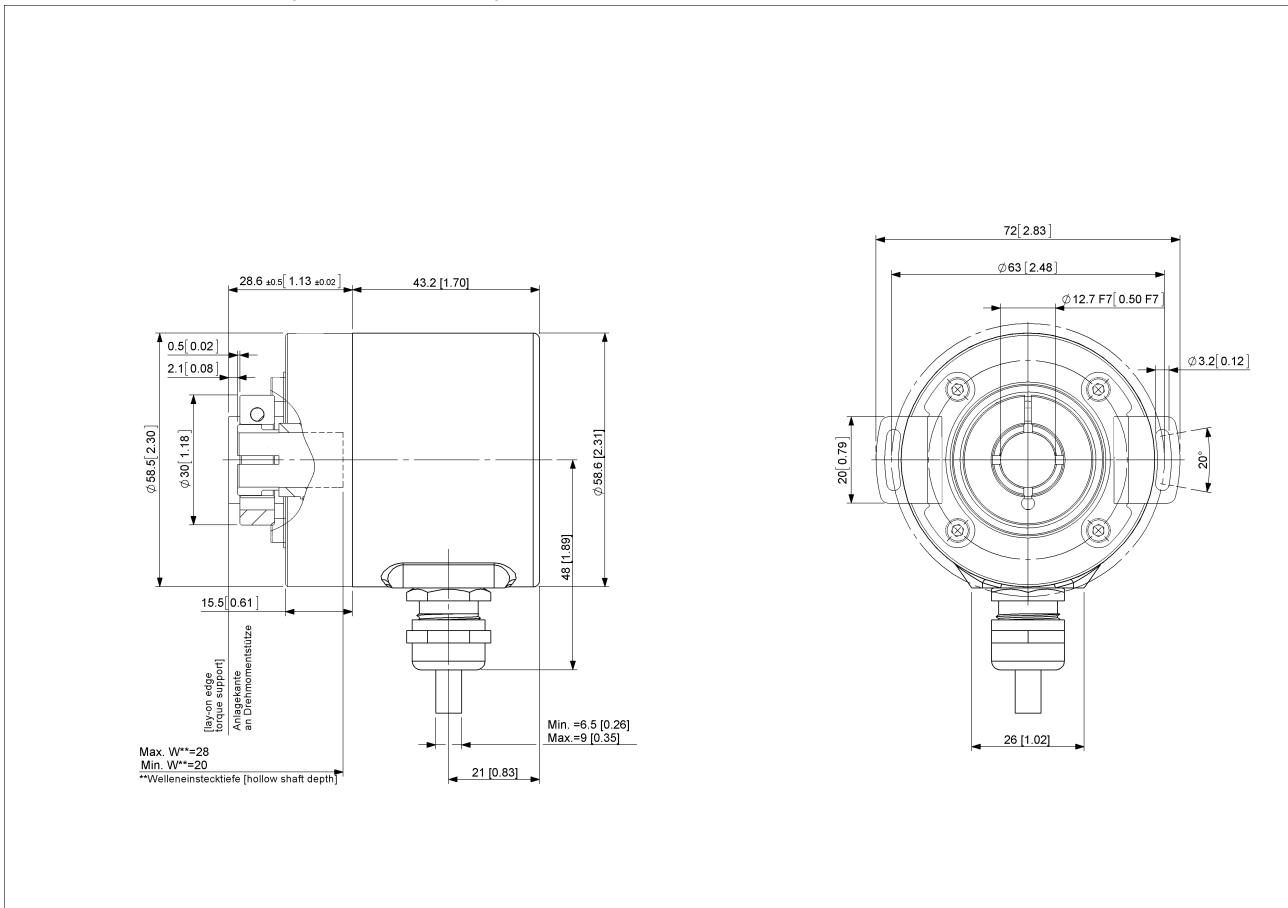


POSITAL

FRABA



Rotation Clockwise (seen on shaft)



[2D Drawing](#)

Accessories

Configuration/Programming Tools
UBIFAST Configuration Tool

Data Sheet
Printed at 15-02-2018 14:02



POSITAL

FRABA

Displays

AP20-00 Counter

AP20-D0 Counter (4 dig. o/p)

AP20-0A Counter (analog o/p)

AP20-DA Counter (4 dig. + analog o/p)

DiMod Counter (Relay o/p)

More

Clamping Rings

Clamping Ring B15

Contact



Contact Us

The picture and drawing are for general presentation purposes only. Please refer to the "Download" section for detailed technical drawings. All dimension in [inch] mm. © FRABA B.V., All rights reserved. We do not assume responsibility for technical inaccuracies or omissions. Specifications are subject to change without notice.

Data Sheet

Printed at 15-02-2018 14:02