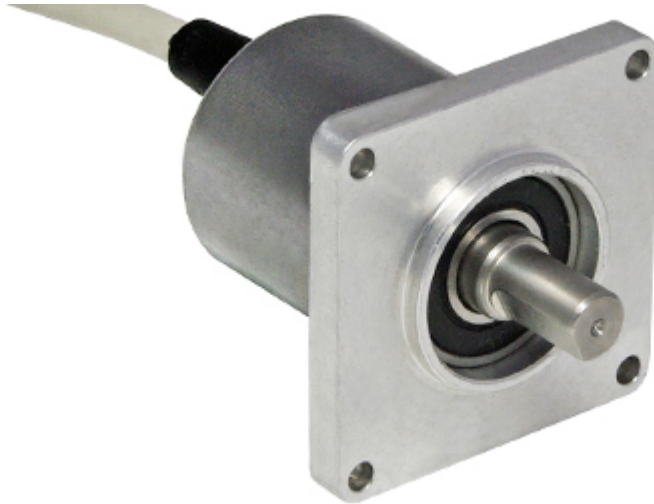



POSITAL
FRABA


IXARC Absolute Rotary Encoder

UCD-SLF2B-1616-3A7A-2AW

This product is a lab sample



Interface

Interface	SSI
Interface Cycle Time	$\geq 25 \mu\text{s}$
SSI Format	MMMMMMMMMMMMMMMMMMMMSSSSSSSSSSSSSSSSSSSSSSSS
Video Manual	 Watch a simple installation video

Outputs

Output Driver	RS422
---------------	-------

Electrical Data

Supply Voltage	4.5 - 30 VDC
Current Consumption	Typical 50 mA
Power Consumption	$\leq 1.0 \text{ W}$
Start-Up Time	$< 250 \text{ ms}$
Clock Input	RS 422, via Optocoupler
Clock Frequency	100 kHz - 1 MHz
Reverse Polarity Protection	Yes
Short Circuit Protection	Yes
EMC: Emitted Interference	DIN EN 61000-6-4
EMC: Noise Immunity	DIN EN 61000-6-2

Data Sheet

Printed at 28-09-2017 02:09



POSITAL

FRABA

MTTF	350 years @ 40 °C
Sensor	
Technology	Magnetic
Resolution Singleturn	16 bit
Resolution Multiturn	16 bit
Multiturn Technology	Self powered magnetic pulse counter (no battery, no gear)
Accuracy (INL)	±0.0878° (≤ 12 bit)
Sense Signal (Default)	Counterclockwise shaft movement (front view on shaft)
Code	Binary
Environmental Specifications	
Protection Class (Shaft)	IP65
Protection Class (Housing)	IP54
Operating Temperature	-30 °C fixed (-22 °F), -5 °C flexible (+23 °F) - +80 °C (+176 °F)
Humidity	98% RH, no condensation
Mechanical Data	
Housing Material	Steel
Housing Coating	Cathodic corrosion protection (>720 hrs salt spray resistance)
Flange Type	Square, □ 2" (3)
Flange Material	Aluminum
Shaft Type	Solid, Single Flat, Length = 16 mm
Shaft Diameter	ø 9.52 mm (3/8")
Shaft Material	Stainless Steel V2A (1.4305, 303)
Max. Shaft Load	Axial 40 N, Radial 110 N
Minimum Mechanical Lifetime (10 ⁸ revolutions with Fa/Fr)	430 (20 N / 40 N), 150 (40 N / 60 N), 100 (40 N / 80 N), 55 (40 N / 110 N)
Rotor Inertia	≤ 30 gcm ² [≤ 0.17 oz-in ²]
Friction Torque	≤ 3 Ncm @ 20 °C (4.2 oz-in @ 68 °F)
Max. Permissible Mechanical Speed	≤ 12000 1/min
Shock Resistance	≤ 100 g (half sine 6 ms, EN 60068-2-27)
Permanent Shock Resistance	≤ 10 g (half sine 16 ms, EN 60068-2-29)
Vibration Resistance	≤ 10 g (10 Hz - 1000 Hz, EN 60068-2-6)

Data Sheet

Printed at 28-09-2017 02:09



POSITAL

FRABA

Length	45,5 mm (1.79")
Weight	405 g (0.89 lb)

Electrical Connection

Connection Orientation	Axial
Cable Length	2 m [79"]
Wire Cross Section	0.14 mm ² / AWG 26
Material / Type	PVC
Cable Diameter	6 mm (0.24 in)
Minimum Bend Radius	46 mm (1.81") fixed, 61 mm (2.4") flexing

Certification

Approval	CE
Product Life Cycle	Lab Sample

Connection Plan

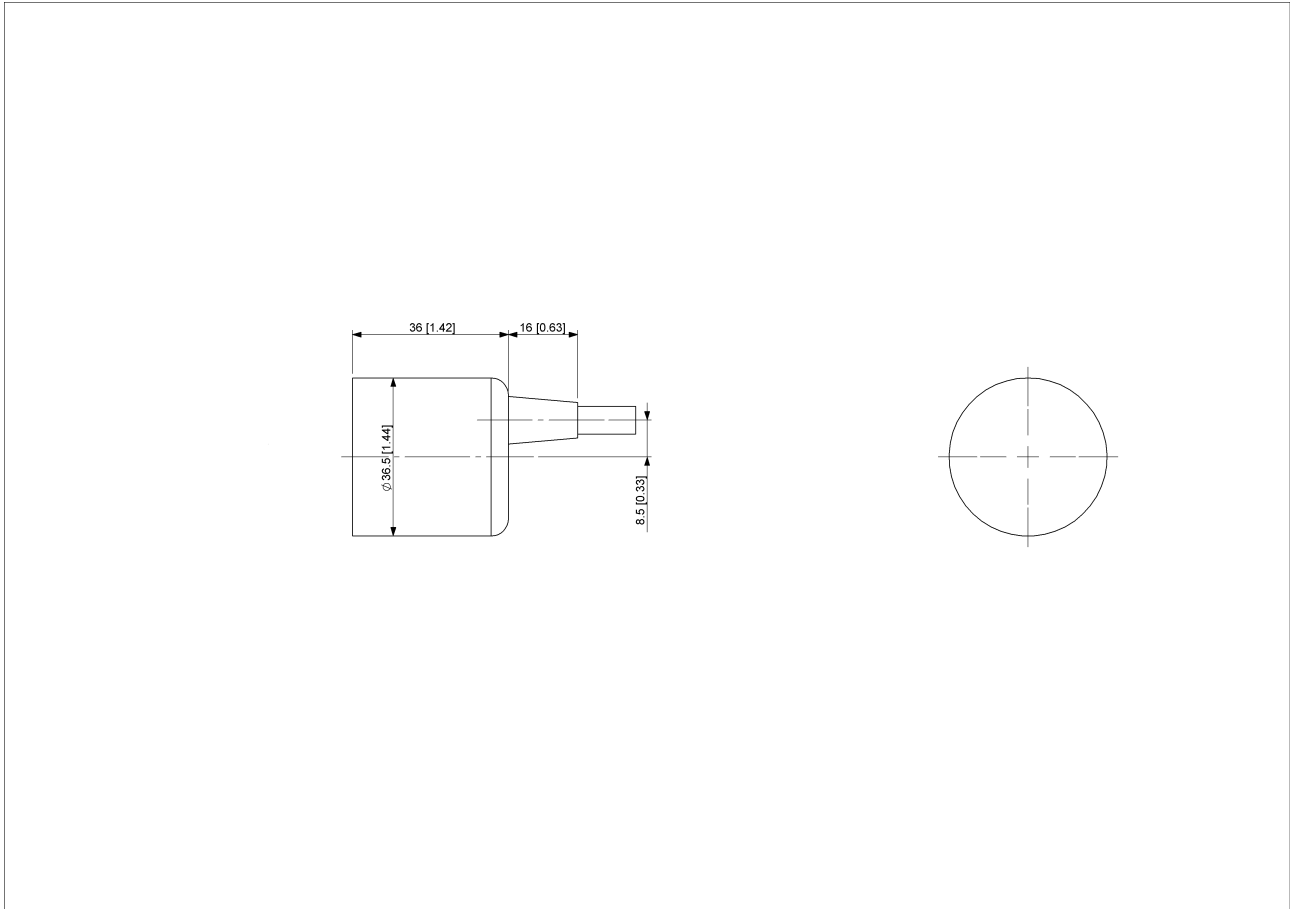
SIGNAL	CABLE COLOR
Power Supply	Brown
GND	White
Data+	Gray
Data-	Pink
Clock+	Green
Clock-	Yellow
Not Connected	Blue
Not Connected	Red
Shielding	Shield

Dimensional Drawing



POSITAL

FRABA



[2D Drawing](#)

Accessories

Coupling Bellow Type-10-(3/8")

Coupling Bellow Type-06-(3/8")

Coupling Jaw Type-10-(3/8")

Coupling Jaw Type-06-(3/8")

Coupling Jaw Type-12-3/8"

More

Contact



POSITAL
Contact Us

Data Sheet
Printed at 28-09-2017 02:09



POSITAL

FRABA

The picture and drawing are for general presentation purposes only. Please refer to the "Download" section for detailed technical drawings. All dimension in [inch] mm. © FRABA B.V., All rights reserved. We do not assume responsibility for technical inaccuracies or omissions. Specifications are subject to change without notice.