

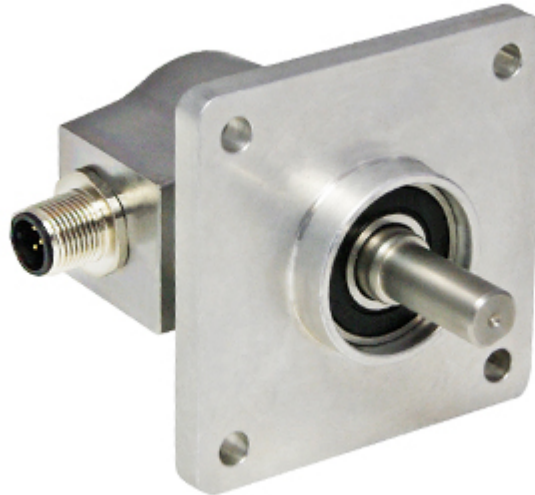


POSITAL

FRABA

IXARC Absolute Rotary Encoder

UCD-SLF2B-1616-4A7S-PRQ



Interface

Interface	SSI
Interface Cycle Time	$\geq 25 \mu\text{s}$
SSI Format	MMMMMMMMMMMMMMMMMMMMSSSSSSSSSSSSSSSSSSSSSS
Video Manual	▶ Watch a simple installation video

Outputs

Output Driver	RS422
---------------	-------

Electrical Data

Supply Voltage	4.5 - 30 VDC
Current Consumption	Typical 50 mA
Power Consumption	$\leq 1.0 \text{ W}$
Start-Up Time	$< 250 \text{ ms}$
Clock Input	RS 422, via Optocoupler
Clock Frequency	100 kHz - 1 MHz
Reverse Polarity Protection	Yes
Short Circuit Protection	Yes
EMC: Emitted Interference	DIN EN 61000-6-4
EMC: Noise Immunity	DIN EN 61000-6-2
MTTF	350 years @ 40 °C

Data Sheet

Printed at 28-09-2017 02:09



POSITAL

FRABA

Sensor

Technology	Magnetic
Resolution Singleturn	16 bit
Resolution Multiturn	16 bit
Multiturn Technology	Self powered magnetic pulse counter (no battery, no gear)
Accuracy (INL)	$\pm 0.0878^\circ (\leq 12 \text{ bit})$
Sense Signal (Default)	Counterclockwise shaft movement (front view on shaft)
Code	Binary

Environmental Specifications

Protection Class (Shaft)	IP66/IP67
Protection Class (Housing)	IP66/IP67
Operating Temperature	-40 °C (-40 °F) - +85 °C (+185 °F)
Humidity	98% RH, no condensation

Mechanical Data

Housing Material	Steel
Housing Coating	Cathodic corrosion protection (>720 hrs salt spray resistance)
Flange Type	Square, \square 2.5" (4)
Flange Material	Aluminum
Shaft Type	Solid, Single Flat, Length = 22.4 mm
Shaft Diameter	\varnothing 9.52 mm (3/8")
Shaft Material	Stainless Steel V2A (1.4305, 303)
Max. Shaft Load	Axial 40 N, Radial 110 N
Minimum Mechanical Lifetime (10 ⁸ revolutions with Fa/Fr)	430 (20 N / 40 N), 150 (40 N / 60 N), 100 (40 N / 80 N), 55 (40 N / 110 N)
Rotor Inertia	$\leq 30 \text{ gcm}^2 [\leq 0.17 \text{ oz-in}^2]$
Friction Torque	$\leq 5 \text{ Ncm @ } 20 \text{ }^\circ\text{C}, (7.1 \text{ oz-in @ } 68 \text{ }^\circ\text{F})$
Max. Permissible Mechanical Speed	$\leq 3000 \text{ 1/min}$
Shock Resistance	$\leq 100 \text{ g (half sine 6 ms, EN 60068-2-27)}$
Permanent Shock Resistance	$\leq 10 \text{ g (half sine 16 ms, EN 60068-2-29)}$
Vibration Resistance	$\leq 10 \text{ g (10 Hz - 1000 Hz, EN 60068-2-6)}$
Length	41,5 mm (1.63")
Weight	290 g (0.64 lb)

Data Sheet

Printed at 28-09-2017 02:09



POSITAL

FRABA

Electrical Connection

Connection Orientation	Radial
Connector	M12, Male, 8 pin, a coded

Certification

Approval	CE + cULus listed, Industrial Control Equipment
Product Life Cycle	Established



Connection Plan

SIGNAL	PIN NUMBER
Power Supply	2
GND	1
Data+	5
Data-	6
Clock+	3
Clock-	4
Shielding	Connector housing

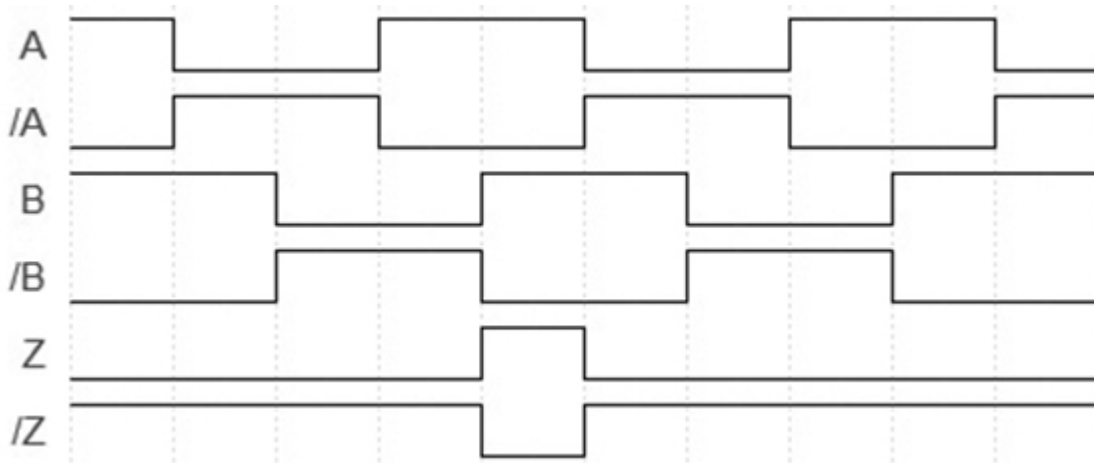
Connector-View on Encoder

Pulse Diagram

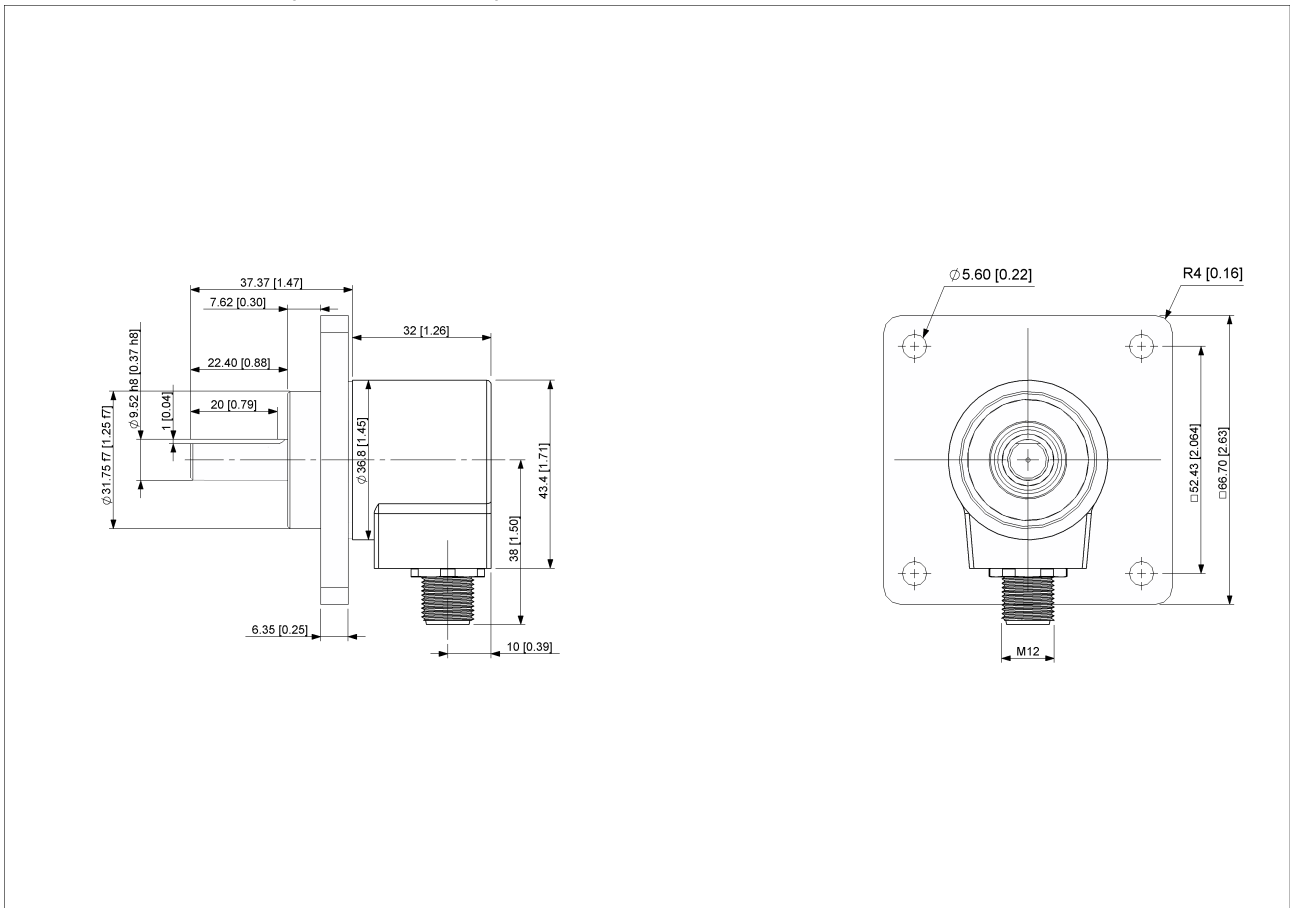


POSITAL

FRABA



Rotation Clockwise (seen on shaft)



[2D Drawing](#)

Accessories

Connectors & Cables

5m PUR Cable, 8pin, A-Coded, f

Data Sheet

Printed at 28-09-2017 02:09



POSITAL

FRABA

10m PUR Cable, 8pin, A-Coded, f
2m PUR Cable, 8pin, A-Coded, f
10m PUR Cable, 8pin, A-Coded, f
M12, 8pin A-Coded, Female
More

Coupling Bellow Type-10-(3/8")
Coupling Bellow Type-06-(3/8")
Coupling Jaw Type-10-(3/8")
Coupling Jaw Type-06-(3/8")
Coupling Jaw Type-12-3/8"
More

Contact



POSITAL
Contact Us

The picture and drawing are for general presentation purposes only. Please refer to the "Download" section for detailed technical drawings.
All dimension in [inch] mm. © FRABA B.V., All rights reserved. We do not assume responsibility for technical inaccuracies or omissions.
Specifications are subject to change without notice.