



POSITAL

FRABA

IXARC Absolute Rotary Encoder

UCD-S101B-1212-Y100-PRQ



Interface

| | |
|-------------------------|---|
| Interface | SSI with Preset |
| Programming Functions | Absolute: Resolution, Revolution, Code, Preset |
| Manual Functions | Preset + complement via cable or connector |
| Interface Cycle Time | $\geq 25 \mu\text{s}$ |
| Number of Preset Cycles | 5,100,000 |
| SSI Format | MMMMMMMMMMMMSSSSSSSSSSSS00 |
| Video Manual | ▶ Watch a simple installation video |

Outputs

| | |
|---------------|-------|
| Output Driver | RS422 |
|---------------|-------|

Electrical Data

| | |
|-----------------------------|-------------------------|
| Supply Voltage | 4.5 - 30 VDC |
| Current Consumption | Typical 50 mA |
| Power Consumption | $\leq 1.0 \text{ W}$ |
| Start-Up Time | $< 250 \text{ ms}$ |
| Clock Input | RS 422, via Optocoupler |
| Clock Frequency | 100 kHz - 2 MHz |
| Reverse Polarity Protection | Yes |
| Short Circuit Protection | Yes |
| EMC: Emitted Interference | DIN EN 61000-6-4 |

Data Sheet

Printed at 28-09-2017 00:09



POSITAL

FRABA

| | |
|---------------------|-------------------|
| EMC: Noise Immunity | DIN EN 61000-6-2 |
| MTTF | 350 years @ 40 °C |

Sensor

| | |
|------------------------|---|
| Technology | Magnetic |
| Resolution Singleturn | 12 bit |
| Resolution Multiturn | 12 bit |
| Multiturn Technology | Self powered magnetic pulse counter (no battery, no gear) |
| Accuracy (INL) | $\pm 0.0878^\circ (\leq 12 \text{ bit})$ |
| Sense Signal (Default) | Clockwise shaft movement (front view on shaft) |
| Code | Binary |

Environmental Specifications

| | |
|----------------------------|------------------------------------|
| Protection Class (Shaft) | IP65 |
| Protection Class (Housing) | IP66/IP67 |
| Operating Temperature | -40 °C (-40 °F) - +85 °C (+185 °F) |
| Humidity | 98% RH, no condensation |

Mechanical Data

| | |
|--|--|
| Housing Material | Steel |
| Housing Coating | Wet coating (RAL 9006 White Aluminium) + Cathodic corrosion protection (>720 h salt spay resistance) |
| Flange Type | Synchro, \varnothing 58 mm (Y) |
| Flange Material | Aluminum |
| Shaft Type | Solid, Length = 20 mm |
| Shaft Diameter | \varnothing 10 mm (0.39") |
| Shaft Material | Stainless Steel V2A (1.4305, 303) |
| Max. Shaft Load | Axial 40 N, Radial 110 N |
| Minimum Mechanical Lifetime (10 ⁸ revolutions with Fa/Fr) | 420 (20 N / 40 N), 145 (40 N / 60 N), 100 (40 N / 80 N), 55 (40 N / 110 N) |
| Rotor Inertia | $\leq 30 \text{ gcm}^2 [\leq 0.17 \text{ oz-in}^2]$ |
| Friction Torque | $\leq 3 \text{ Ncm @ } 20 \text{ }^\circ\text{C}$ (4.2 oz-in @ 68 °F) |
| Max. Permissible Mechanical Speed | $\leq 12000 \text{ 1/min}$ |
| Shock Resistance | $\leq 100 \text{ g}$ (half sine 6 ms, EN 60068-2-27) |
| Permanent Shock Resistance | $\leq 10 \text{ g}$ (half sine 16 ms, EN 60068-2-29) |
| Vibration Resistance | $\leq 10 \text{ g}$ (10 Hz - 1000 Hz, EN 60068-2-6) |

Data Sheet

Printed at 28-09-2017 00:09



POSITAL

FRABA

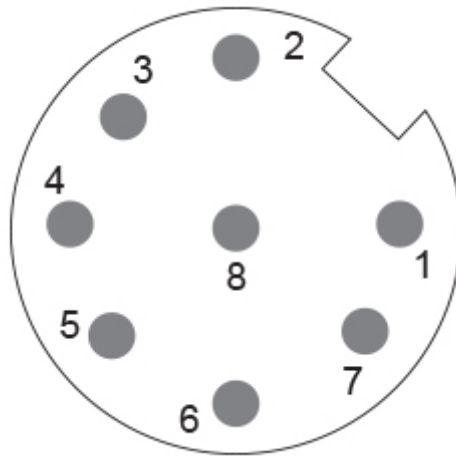
| | |
|--------|-----------------|
| Length | 56,7 mm (2.23") |
| Weight | 280 g (0.62 lb) |

Electrical Connection

| | |
|------------------------|---------------------------|
| Connection Orientation | Radial |
| Connector | M12, Male, 8 pin, a coded |

Certification

| | |
|--------------------|---|
| Approval | CE + cULus listed, Industrial Control Equipment |
| Product Life Cycle | Established |



Connection Plan

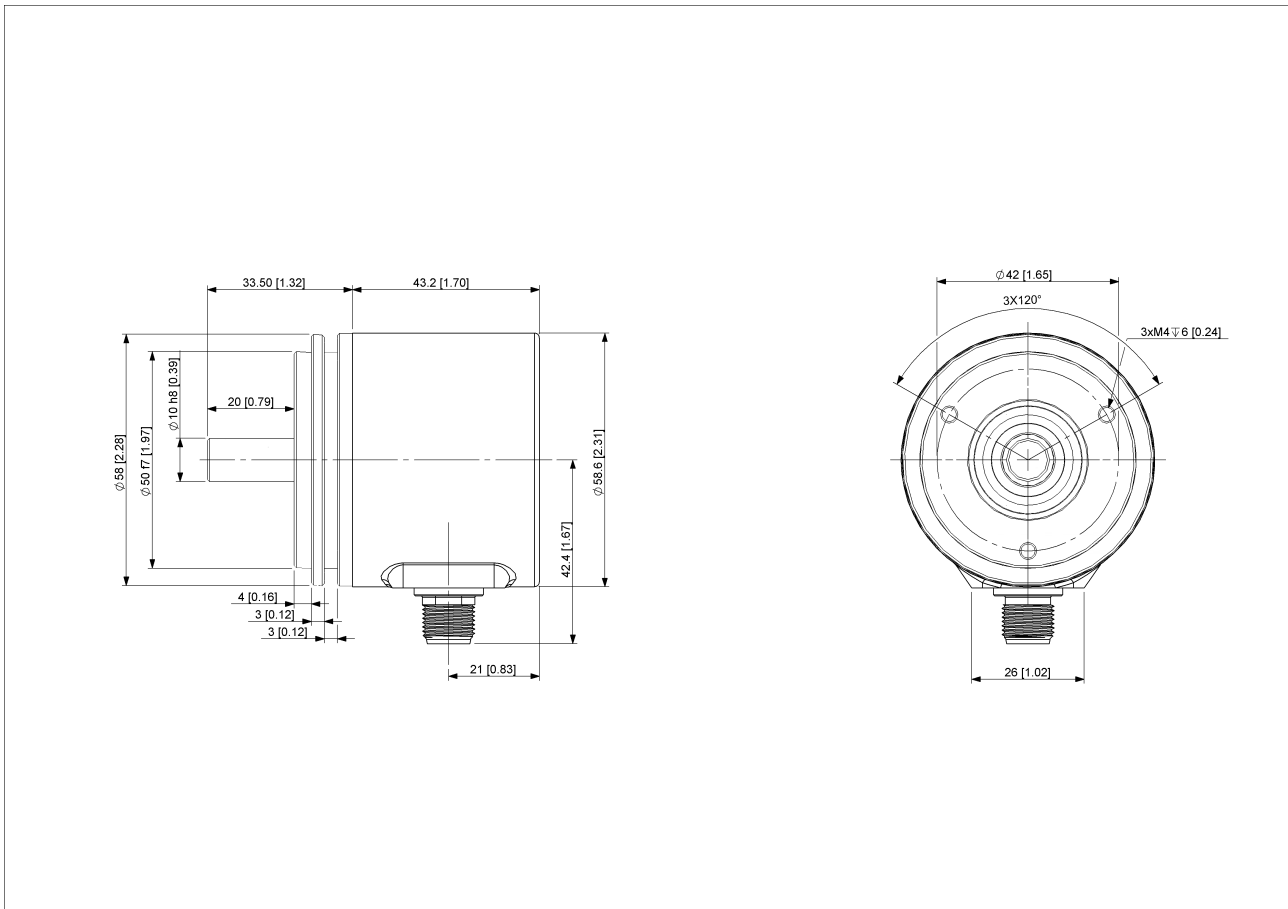
| SIGNAL | PIN NUMBER |
|--------------|-------------------|
| Power Supply | 2 |
| GND | 1 |
| Data+ | 5 |
| Data- | 6 |
| Clock+ | 3 |
| Clock- | 4 |
| Preset | 7 |
| DIR | 8 |
| Shielding | Connector Housing |

Connector-View on Encoder
Rotation Clockwise (seen on shaft)



POSITAL

FRABA



[2D Drawing](#)

Accessories

Connectors & Cables

5m PUR Cable, 8pin, A-Coded, f

10m PUR Cable, 8pin, A-Coded, f

2m PUR Cable, 8pin, A-Coded, f

10m PUR Cable, 8pin, A-Coded, f

M12, 8pin A-Coded, Female

More

Clamp Disc w/ Eccentric Hole-4pcs

Clamp Disc w/ Centred Hole-4pcs

Coupling Disc Type-10-12

Coupling Bellow Type-10-10

Coupling Bellow Type-06-10

Coupling Bellow Type-08-10

Data Sheet

Printed at 28-09-2017 00:09



POSITAL

FRABA

Coupling Bellow Type-10-12
Coupling Bellow Type-10-(1/4")
Coupling Bellow Type-10-(3/8")
Coupling Jaw Type-06-10
Coupling Jaw Type-08-10
Coupling Jaw Type-10-12
Coupling Jaw Type-10-(1/4")
Coupling Jaw Type-10-(3/8")
Coupling Jaw Type-10-10
Coupling Disc Type-06-10
Coupling Disc Type-10-10
More

Mounting Bracket for Synchro Flange w/ fixtures

Contact



POSITAL
Contact Us

The picture and drawing are for general presentation purposes only. Please refer to the "Download" section for detailed technical drawings. All dimension in [inch] mm. © FRABA B.V., All rights reserved. We do not assume responsibility for technical inaccuracies or omissions. Specifications are subject to change without notice.