



POSITAL

FRABA

IXARC Absolute Rotary Encoder

UCD-S101B-1213-V6S0-2RW



Interface

Interface	SSI with Preset
Programming Functions	Absolute: Resolution, Revolution, Code, Preset
Manual Functions	Preset + complement via cable or connector
Interface Cycle Time	$\geq 25 \mu\text{s}$
Number of Preset Cycles	5,100,000
SSI Format	MMMMMMMMMMMMSSSSSSSSSSSS0
Video Manual	▶ Watch a simple installation video

Outputs

Output Driver	RS422
---------------	-------

Electrical Data

Supply Voltage	4.5 - 30 VDC
Current Consumption	Typical 50 mA
Power Consumption	$\leq 1.0 \text{ W}$
Start-Up Time	$< 250 \text{ ms}$
Clock Input	RS 422, via Optocoupler
Clock Frequency	100 kHz - 2 MHz
Reverse Polarity Protection	Yes
Short Circuit Protection	Yes
EMC: Emitted Interference	DIN EN 61000-6-4

Data Sheet

Printed at 28-09-2017 00:09



POSITAL

FRABA

EMC: Noise Immunity	DIN EN 61000-6-2
MTTF	350 years @ 40 °C

Sensor

Technology	Magnetic
Resolution Singleturn	13 bit
Resolution Multiturn	12 bit
Multiturn Technology	Self powered magnetic pulse counter (no battery, no gear)
Accuracy (INL)	$\pm 0.0878^\circ$ (≤ 12 bit)
Sense Signal (Default)	Clockwise shaft movement (front view on shaft)
Code	Binary

Environmental Specifications

Protection Class (Shaft)	IP65
Protection Class (Housing)	IP65
Operating Temperature	-30 °C fixed (-22 °F), -5 °C flexible (+23 °F) - +80 °C (+176 °F)
Humidity	98% RH, no condensation

Mechanical Data

Housing Material	Steel
Housing Coating	Cathodic corrosion protection (>720 hrs salt spray resistance)
Flange Type	Blind Hollow, \varnothing 36 mm / \varnothing 42 mm
Flange Material	Aluminum
Shaft Type	Blind Hollow, Depth = 18 mm
Shaft Diameter	\varnothing 6 mm (0.24")
Shaft Material	Stainless Steel V2A (1.4305, 303)
Friction Torque	≤ 3 Ncm @ 20 °C (4.2 oz-in @ 68 °F)
Max. Permissible Mechanical Speed	≤ 12000 1/min
Shock Resistance	≤ 100 g (half sine 6 ms, EN 60068-2-27)
Permanent Shock Resistance	≤ 10 g (half sine 16 ms, EN 60068-2-29)
Vibration Resistance	≤ 10 g (10 Hz - 1000 Hz, EN 60068-2-6)
Length	50,2 mm (1.98")
Weight	290 g (0.64 lb)

Electrical Connection

Data Sheet

Printed at 28-09-2017 00:09



POSITAL

FRABA

Connection Orientation	Radial
Cable Length	2 m [79"]
Wire Cross Section	0.14 mm ² / AWG 26
Material / Type	PVC
Cable Diameter	6 mm (0.24 in)
Minimum Bend Radius	46 mm (1.81") fixed, 61 mm (2.4") flexing

Certification

Approval	CE + cULus listed, Industrial Control Equipment
Product Life Cycle	Established

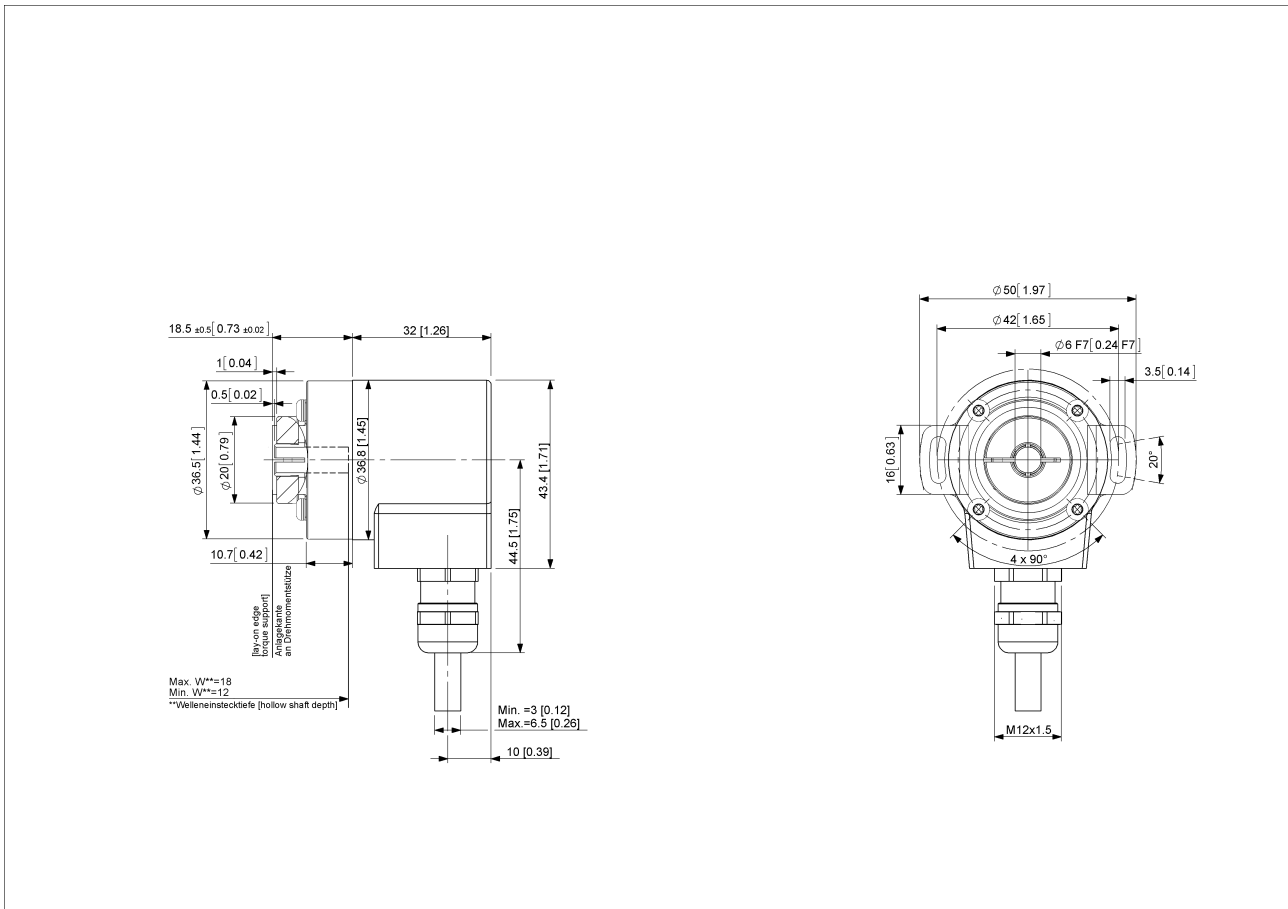
Connection Plan

SIGNAL	CABLE COLOR
Power Supply	Brown
GND	White
Data+	Gray
Data-	Pink
Clock+	Green
Clock-	Yellow
Preset	Blue
DIR	Red
Shielding	Shield



POSITAL

FRABA



[2D Drawing](#)

Accessories

Clamping Ring V06

Contact



POSITAL
Contact Us

The picture and drawing are for general presentation purposes only. Please refer to the "Download" section for detailed technical drawings. All dimension in [inch] mm. © FRABA B.V., All rights reserved. We do not assume responsibility for technical inaccuracies or omissions.

Data Sheet

Printed at 28-09-2017 00:09



POSITAL

FRABA

Specifications are subject to change without notice.