



POSITAL

FRABA

IXARC Absolute Rotary Encoder

UCD-S101B-1216-H8S0-PRQ



Interface

Interface	SSI with Preset
Programming Functions	Absolute: Resolution, Revolution, Code, Preset
Manual Functions	Preset + complement via cable or connector
Interface Cycle Time	≥ 25 μs
Number of Preset Cycles	5,100,000
SSI Format	MMMMMMMMMMMMSSSSSSSSSSSSSSSS00
Video Manual	▶ Watch a simple installation video

Outputs

Output Driver	RS422
---------------	-------

Electrical Data

Supply Voltage	4.5 - 30 VDC
Current Consumption	Typical 50 mA
Power Consumption	≤ 1.0 W
Start-Up Time	< 250 ms
Clock Input	RS 422, via Optocoupler
Clock Frequency	100 kHz - 2 MHz
Reverse Polarity Protection	Yes
Short Circuit Protection	Yes
EMC: Emitted Interference	DIN EN 61000-6-4

Data Sheet

Printed at 28-09-2017 00:09



POSITAL

FRABA

EMC: Noise Immunity	DIN EN 61000-6-2
MTTF	350 years @ 40 °C

Sensor

Technology	Magnetic
Resolution Singleturn	16 bit
Resolution Multiturn	12 bit
Multiturn Technology	Self powered magnetic pulse counter (no battery, no gear)
Accuracy (INL)	$\pm 0.0878^\circ$ (≤ 12 bit)
Sense Signal (Default)	Clockwise shaft movement (front view on shaft)
Code	Binary

Environmental Specifications

Protection Class (Shaft)	IP65
Protection Class (Housing)	IP66/IP67
Operating Temperature	-40 °C (-40 °F) - +85 °C (+185 °F)
Humidity	98% RH, no condensation

Mechanical Data

Housing Material	Steel
Housing Coating	Wet coating (RAL 9006 White Aluminium) + Cathodic corrosion protection (>720 h salt spray resistance)
Flange Type	Blind Hollow, \varnothing 58 mm (H)
Flange Material	Aluminum
Shaft Type	Blind Hollow, Depth = 28 mm
Shaft Diameter	\varnothing 8 mm (0.31")
Shaft Material	Stainless Steel V2A (1.4305, 303)
Rotor Inertia	≤ 30 gcm ² [≤ 0.17 oz-in ²]
Friction Torque	≤ 3 Ncm @ 20 °C (4.2 oz-in @ 68 °F)
Max. Permissible Mechanical Speed	≤ 12000 1/min
Shock Resistance	≤ 100 g (half sine 6 ms, EN 60068-2-27)
Permanent Shock Resistance	≤ 10 g (half sine 16 ms, EN 60068-2-29)
Vibration Resistance	≤ 10 g (10 Hz - 1000 Hz, EN 60068-2-6)
Length	71,2 mm (2.80")
Weight	320 g (0.71 lb)



POSITAL

FRABA

Electrical Connection

Connection Orientation	Radial
Connector	M12, Male, 8 pin, a coded

Certification

Approval	CE + cULus listed, Industrial Control Equipment
Product Life Cycle	Established



Connection Plan

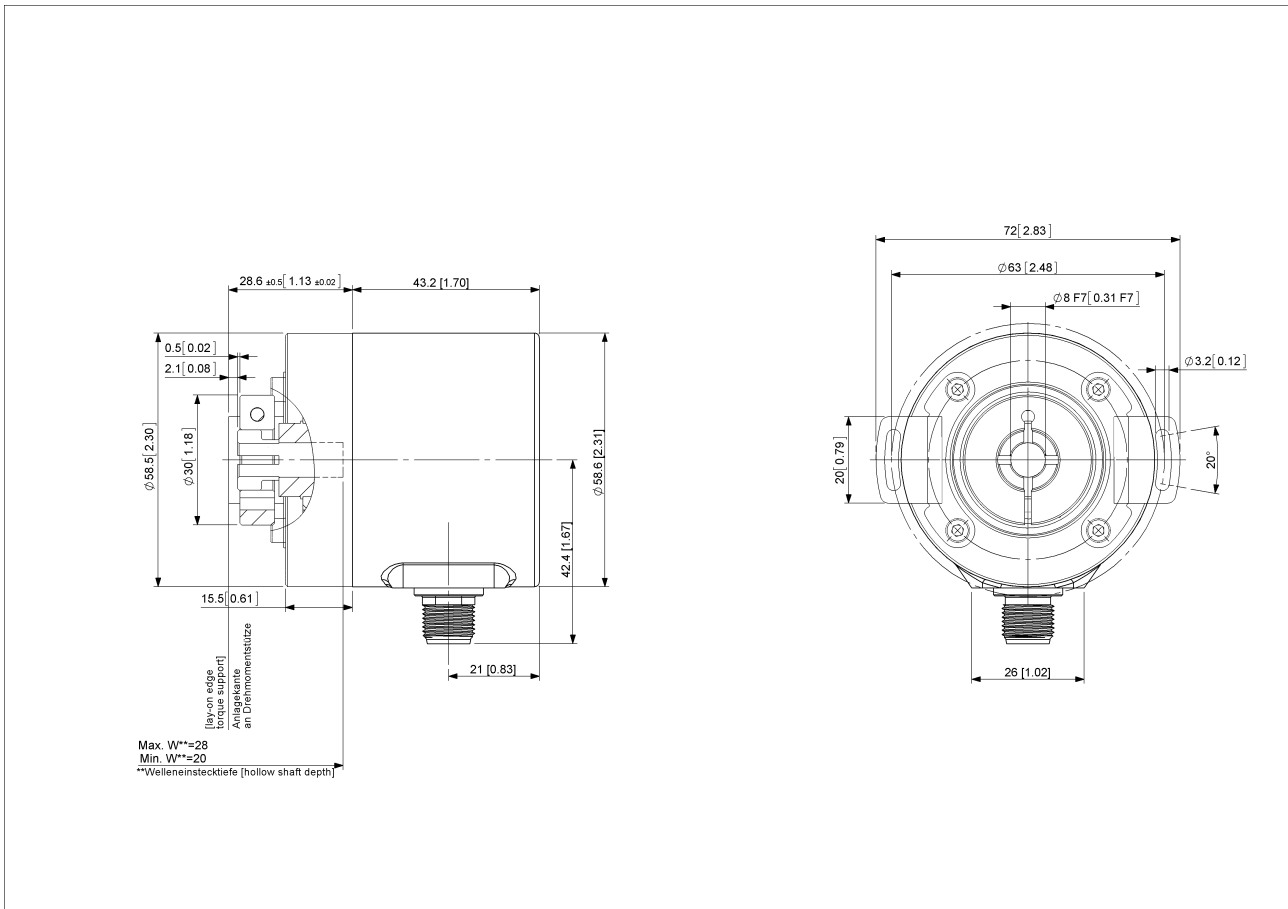
SIGNAL	PIN NUMBER
Power Supply	2
GND	1
Data+	5
Data-	6
Clock+	3
Clock-	4
Preset	7
DIR	8
Shielding	Connector Housing

Connector-View on Encoder
Rotation Clockwise (seen on shaft)



POSITAL

FRABA



[2D Drawing](#)

Accessories

Connectors & Cables

- 5m PUR Cable, 8pin, A-Coded, f
- 10m PUR Cable, 8pin, A-Coded, f
- 2m PUR Cable, 8pin, A-Coded, f
- 10m PUR Cable, 8pin, A-Coded, f
- M12, 8pin A-Coded, Female
- More

Clamping Ring Hollow Shaft T120

Contact



POSITAL

FRABA



POSITAL
Contact Us

The picture and drawing are for general presentation purposes only. Please refer to the "Download" section for detailed technical drawings. All dimension in [inch] mm. © FRABA B.V., All rights reserved. We do not assume responsibility for technical inaccuracies or omissions. Specifications are subject to change without notice.