



# POSITAL

## FRABA

### IXARC Absolute Rotary Encoder

### UCD-S101B-1216-HFS0-2RW



#### Interface

Interface	SSI with Preset
Programming Functions	Absolute: Resolution, Revolution, Code, Preset
Manual Functions	Preset + complement via cable or connector
Interface Cycle Time	≥ 25 μs
Number of Preset Cycles	5,100,000
SSI Format	MMMMMMMMMMMMSSSSSSSSSSSSSSSS00
Video Manual	<a href="#">▶ Watch a simple installation video</a>

#### Outputs

Output Driver	RS422
---------------	-------

#### Electrical Data

Supply Voltage	4.5 - 30 VDC
Current Consumption	Typical 50 mA
Power Consumption	≤ 1.0 W
Start-Up Time	< 250 ms
Clock Input	RS 422, via Optocoupler
Clock Frequency	100 kHz - 2 MHz
Reverse Polarity Protection	Yes
Short Circuit Protection	Yes
EMC: Emitted Interference	DIN EN 61000-6-4

Data Sheet

Printed at 28-09-2017 00:09



# POSITAL

## FRABA

EMC: Noise Immunity	DIN EN 61000-6-2
MTTF	350 years @ 40 °C

### Sensor

Technology	Magnetic
Resolution Singleturn	16 bit
Resolution Multiturn	12 bit
Multiturn Technology	Self powered magnetic pulse counter (no battery, no gear)
Accuracy (INL)	$\pm 0.0878^\circ (\leq 12 \text{ bit})$
Sense Signal (Default)	Clockwise shaft movement (front view on shaft)
Code	Binary

### Environmental Specifications

Protection Class (Shaft)	IP65
Protection Class (Housing)	IP66/IP67
Operating Temperature	-30 °C fixed (-22 °F), -5 °C flexible (+23 °F) - +80 °C (+176 °F)
Humidity	98% RH, no condensation

### Mechanical Data

Housing Material	Steel
Housing Coating	Wet coating (RAL 9006 White Aluminium) + Cathodic corrosion protection (>720 h salt spray resistance)
Flange Type	Blind Hollow, $\varnothing$ 58 mm (H)
Flange Material	Aluminum
Shaft Type	Blind Hollow, Depth = 28 mm
Shaft Diameter	$\varnothing$ 15 mm (0.59")
Shaft Material	Stainless Steel V2A (1.4305, 303)
Rotor Inertia	$\leq 30 \text{ gcm}^2 [\leq 0.17 \text{ oz-in}^2]$
Friction Torque	$\leq 3 \text{ Ncm @ } 20 \text{ °C (4.2 oz-in @ } 68 \text{ °F)}$
Max. Permissible Mechanical Speed	$\leq 12000 \text{ 1/min}$
Shock Resistance	$\leq 100 \text{ g (half sine 6 ms, EN 60068-2-27)}$
Permanent Shock Resistance	$\leq 10 \text{ g (half sine 16 ms, EN 60068-2-29)}$
Vibration Resistance	$\leq 10 \text{ g (10 Hz - 1000 Hz, EN 60068-2-6)}$
Length	71,2 mm (2.80")
Weight	470 g (1.04 lb)

Data Sheet

Printed at 28-09-2017 00:09



# POSITAL

---

## FRABA

### Electrical Connection

Connection Orientation	Radial
Cable Length	2 m [79"]
Wire Cross Section	0.14 mm <sup>2</sup> / AWG 26
Material / Type	PVC
Cable Diameter	6 mm (0.24 in)
Minimum Bend Radius	46 mm (1.81") fixed, 61 mm (2.4") flexing

### Certification

Approval	CE + cULus listed, Industrial Control Equipment
Product Life Cycle	Established

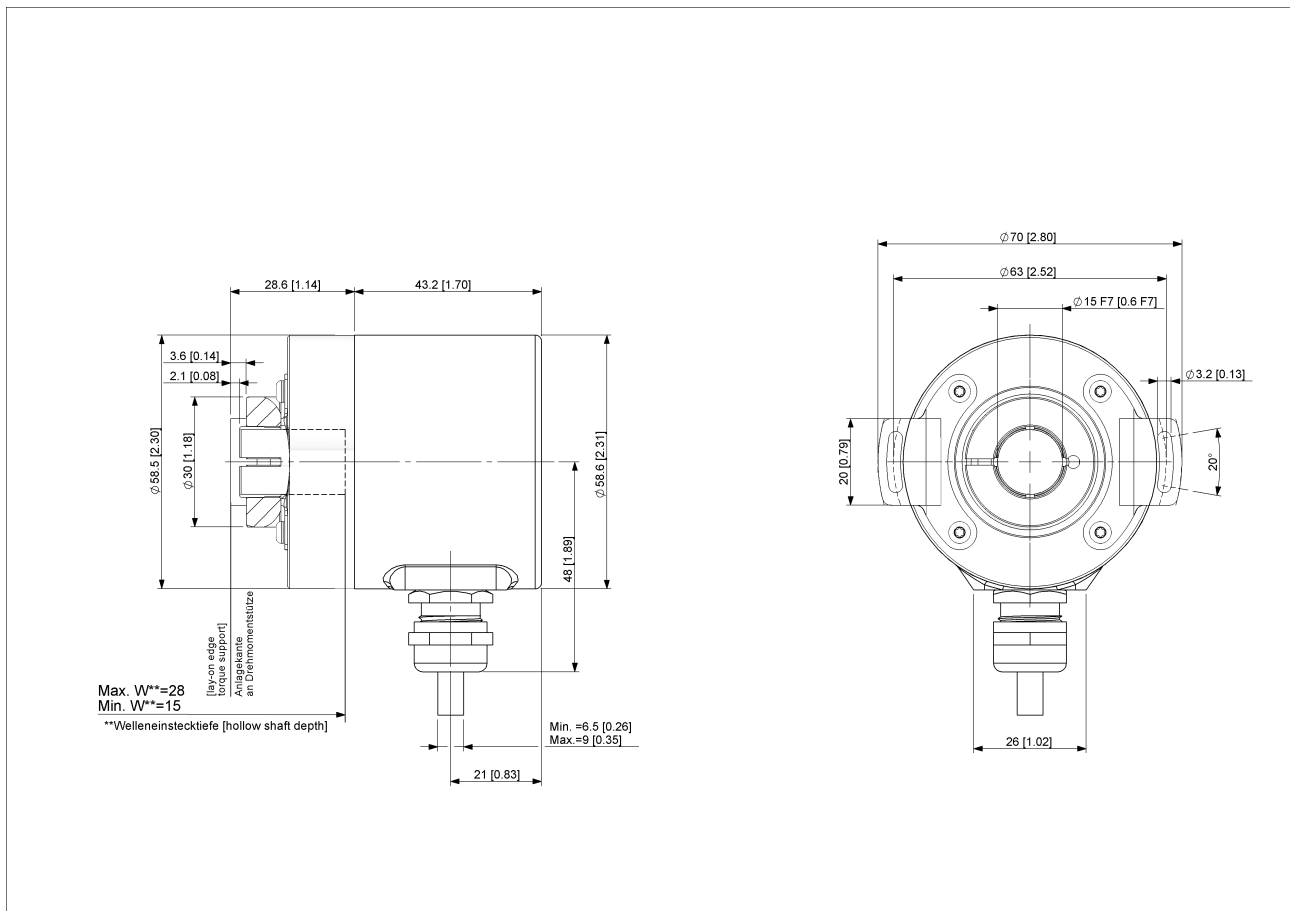
### Connection Plan

SIGNAL	CABLE COLOR
Power Supply	Brown
GND	White
Data+	Gray
Data-	Pink
Clock+	Green
Clock-	Yellow
Preset	Blue
DIR	Red
Shielding	Shield



# POSITAL

## FRABA



[2D Drawing](#)

### Accessories

Clamping Ring B15

### Contact



POSITAL  
Contact Us

The picture and drawing are for general presentation purposes only. Please refer to the "Download" section for detailed technical drawings. All dimension in [inch] mm. © FRABA B.V., All rights reserved. We do not assume responsibility for technical inaccuracies or omissions.

Data Sheet

Printed at 28-09-2017 00:09



# POSITAL

---

## FRABA

Specifications are subject to change without notice.