



POSITAL

FRABA

IXARC Absolute Rotary Encoder

UCD-S101G-0012-D10D-2RW



Interface

Interface	SSI with Preset
Programming Functions	Absolute: Resolution, Revolution, Code, Preset
Manual Functions	Preset + complement via cable or connector
Interface Cycle Time	$\geq 25 \mu\text{s}$
Number of Preset Cycles	5,100,000
SSI Format	SSSSSSSSSS00
Video Manual	▶ Watch a simple installation video

Outputs

Output Driver	RS422
---------------	-------

Electrical Data

Supply Voltage	4.5 - 30 VDC
Current Consumption	Typical 50 mA
Power Consumption	$\leq 1.0 \text{ W}$
Start-Up Time	$< 250 \text{ ms}$
Clock Input	RS 422, via Optocoupler
Clock Frequency	100 kHz - 2 MHz
Reverse Polarity Protection	Yes
Short Circuit Protection	Yes
EMC: Emitted Interference	DIN EN 61000-6-4

Data Sheet

Printed at 28-09-2017 01:09



POSITAL

FRABA

EMC: Noise Immunity	DIN EN 61000-6-2
MTTF	500 years @ 40 °C

Sensor

Technology	Magnetic
Resolution Singleturn	12 bit
Resolution Multiturn	0 bit
Accuracy (INL)	±0.0878° (≤ 12 bit)
Sense Signal (Default)	Clockwise shaft movement (front view on shaft)
Code	Gray

Environmental Specifications

Protection Class (Shaft)	IP68/IP69K
Protection Class (Housing)	IP68/IP69K
Operating Temperature	-40 °C fixed (-40 °F), -30 °C flexible (-22 °F) - +80 °C (+176 °F)
Humidity	98% RH, no condensation

Mechanical Data

Housing Material	Steel
Housing Coating	Powder Coated + Cathodic corrosion protection (>720 h salt spay resistance)
Flange Type	Synchro, ø 36 mm Heavy Duty
Flange Material	Aluminum
Shaft Type	Solid, Length = 20 mm
Shaft Diameter	ø 10 mm (0.39")
Shaft Material	Stainless Steel V4A (1.4112, 440 B), hardened
Max. Shaft Load	Axial 180 N, Radial 180 N
Minimum Mechanical Lifetime (10 ⁸ revolutions with Fa/Fr)	10 (180 N / 180 N), 15 (150 N, 150 N), 30 (100 N / 100 N)
Friction Torque	≤ 5 Ncm @ 20 °C, (7.1 oz-in @ 68 °F)
Max. Permissible Mechanical Speed	≤ 6000 1/min
Shock Resistance	≤ 200 g (half sine 11 ms, EN 60068-2-27)
Permanent Shock Resistance	≤ 30 g (half sine 16 ms, EN 60068-2-29)
Vibration Resistance	≤ 30 g (10 Hz - 1000 Hz, EN 60068-2-6)
Length	56 mm (2.20")
Weight	395 g (0.87 lb)

Data Sheet

Printed at 28-09-2017 01:09



POSITAL

FRABA

Electrical Connection

Connection Orientation	Radial
Cable Length	2 m [79"]
Wire Cross Section	0.34 mm ² / AWG 22
Material / Type	PUR / PU
Cable Diameter	7.5 mm (0.30 in)
Minimum Bend Radius	56 mm (2.2") fixed, 75 mm (3") flexing

Certification

Approval	CE + cULus listed, Industrial Control Equipment
Product Life Cycle	Established

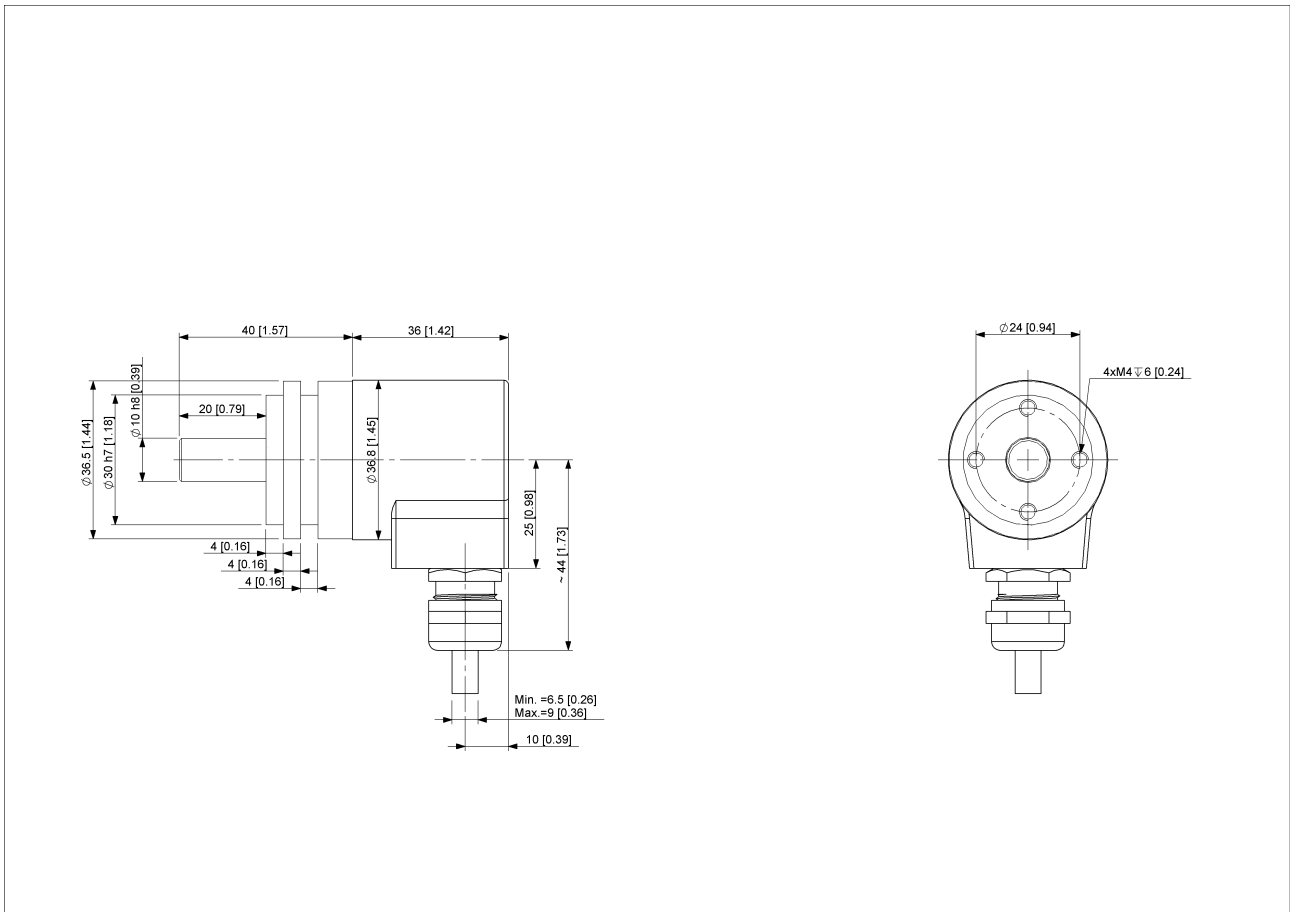
Connection Plan

SIGNAL	CABLE COLOR
Power Supply	Brown
GND	White
Data+	Gray
Data-	Pink
Clock+	Green
Clock-	Yellow
Preset	Blue
DIR	Red
Shielding	Shield



POSITAL

FRABA



[2D Drawing](#)

Accessories

- Coupling Disc Type-10-12
- Coupling Bellow Type-10-10
- Coupling Bellow Type-06-10
- Coupling Bellow Type-08-10
- Coupling Bellow Type-10-12
- Coupling Bellow Type-10-(1/4")
- Coupling Bellow Type-10-(3/8")
- Coupling Jaw Type-06-10
- Coupling Jaw Type-08-10
- Coupling Jaw Type-10-12
- Coupling Jaw Type-10-(1/4")
- Coupling Jaw Type-10-(3/8")
- Coupling Jaw Type-10-10
- Coupling Disc Type-06-10
- Coupling Disc Type-10-10

Data Sheet
Printed at 28-09-2017 01:09



POSITAL

FRABA

More

Contact



POSITAL
Contact Us

The picture and drawing are for general presentation purposes only. Please refer to the "Download" section for detailed technical drawings. All dimension in [inch] mm. © FRABA B.V., All rights reserved. We do not assume responsibility for technical inaccuracies or omissions. Specifications are subject to change without notice.