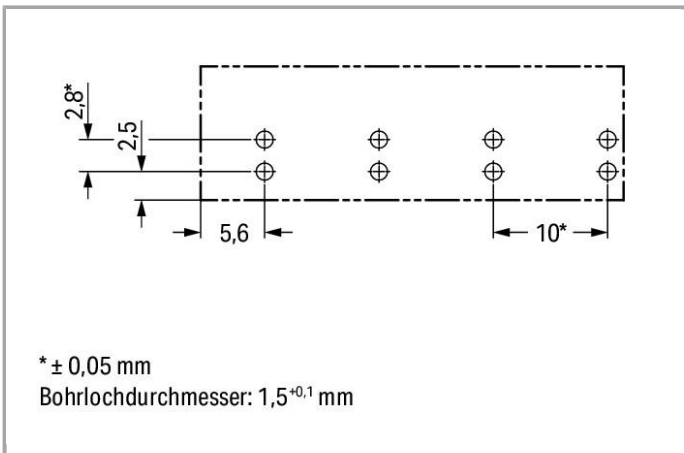


RoHS  Compliant

[BOMcheck.net](http://BOMcheck.net)

Color: ■



\* ± 0,05 mm  
Bohrlochdurchmesser: 1,5<sup>+0,1</sup> mm

Item description

**Note:**

All connectors for mounted installations (snap-in versions for lighting fixtures or devices, all types of PCB and distribution connectors) are factory-equipped with locking levers to ensure plugs and sockets are securely locked. Additional locking levers are only required for flying leads (plug /socket).

Other variants can be requested via the WAGO sales department or, if necessary, configured at <https://configurator.wago.com/>: Other pole markings

**Data****Electrical data****Ratings per IEC/EN 60664-1**

Rated voltage (III / 3)	400 V
Rated impulse voltage (III / 3)	6 kV
Rated current	25 A
Legend (ratings)	(III / 3) $\triangleq$ Overvoltage category III / Pollution degree 3

**Connection data**

No. of poles	4
Total number of potentials	4
Number of levels	1

**Geometrical Data**

Pin spacing	10 mm (0.394 inch)
Width	37 mm / 1.457 inch
Height	29.5 mm / 1.161 inch
Height from the surface	26 mm / 1.024 inch
Depth	14.6 mm / 0.575 inch
Solder pin length	3.5 mm
Solder pin dimensions	1 x 0.8 mm
Drilled hole diameter (tolerance)	1.5 <sup>(+ 0.1 ... - 0.1)</sup> mm

**Mechanical data**

Coding	B
Mating force of a plug-in connection	approx. 20 ... 70 N (depending on pole number)
Retention force of a plug-in connection	when locked: > 80N
Unmating force of a plug-in connection	when unlocked: approx. 20 ... 70 N (depending on pole number)
Design	straight
Marking	U- S U+ X/Y
Degree of protection	IP20

Potential marking	U- S U+ X/Y
-------------------	-------------

### Plug connection

Contact type (pluggable connector)	Male connector/plug
Connector connection type	for PCBs
Mating direction to the PCB	90°
Locking of plug-in connection	locking lever
Locking lever	yes

### PCB contact

PCB contact	THT
Solder pin arrangement	2 in-line solder pins/pole
Number of solder pins per potential	2

### Material Data

Color	light green
Insulating material	Polyamide 66 (PA 66)
Flammability class per UL94	V0
Contact material	Copper or copper alloy, surface-treated
Fire load	0.187 MJ
Weight	8.766 g

### Environmental Requirements

Surrounding air (operating) temperature	-35 ... 85 °C
---	---------------

### Commercial data

Country of origin	DE
GTIN	4050821555674
Customs Tariff No.	85366990990

### Approvals / Certificates

#### UL-Approvals

Logo	Approval	Certificate name
	cURus Underwriters Laboratories Inc.	E45171 Sec. 9

## Compatible products

### Coding



Item no.: 770-401  
Coding pin; for plugs

[www.wago.com/770-401](http://www.wago.com/770-401)

### protection



Item no.: 770-360  
Lockout cap; for plugs; 5-pole; separable

[www.wago.com/770-360](http://www.wago.com/770-360)

## Downloads

### smartDATA

### CAD data

3D Download 770-874/071-000

URL

Download

Subject to changes.