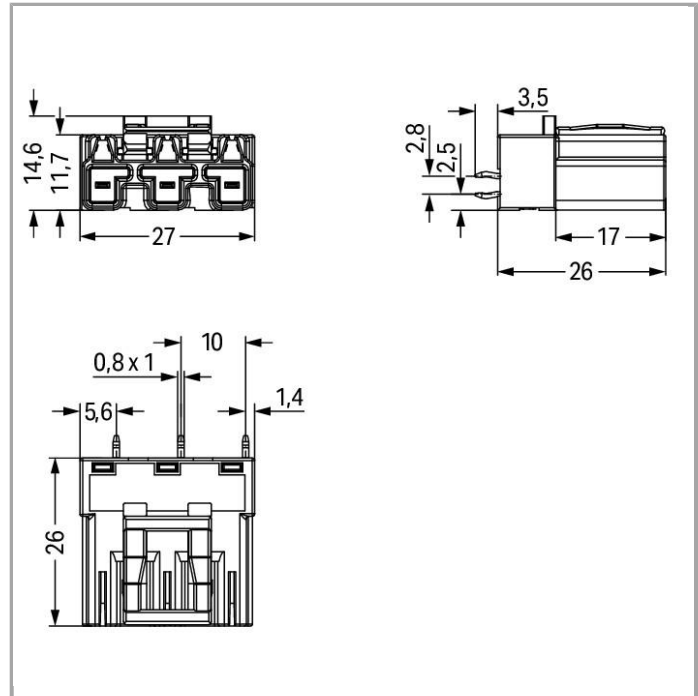
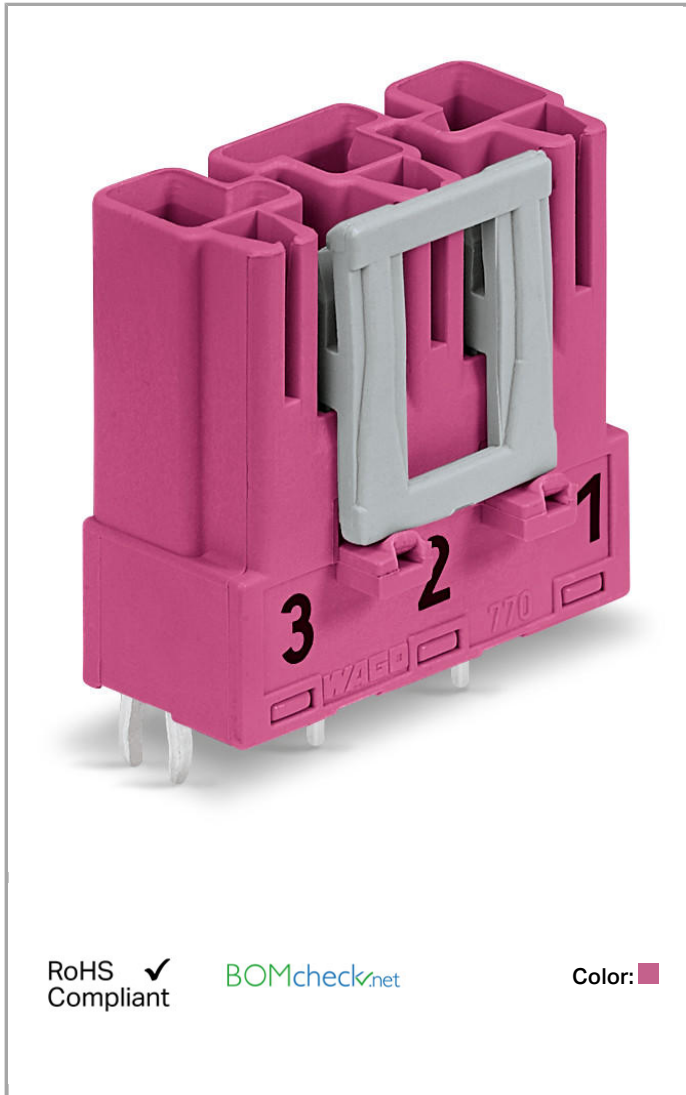
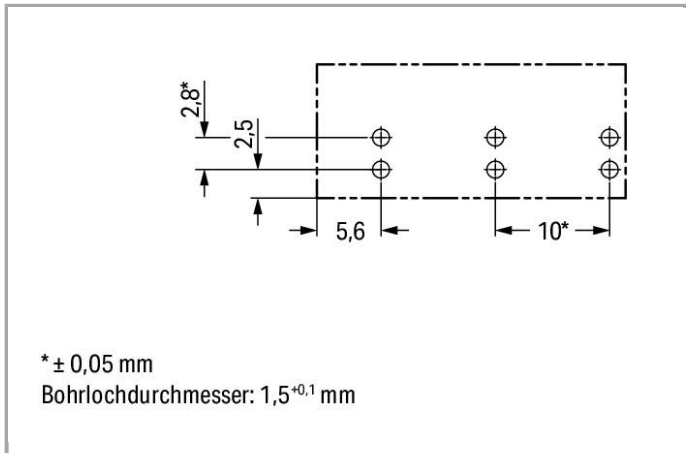


Data sheet | Item number: 770-893/081-000

Plug for PCBs; straight; 3-pole; Cod. B

www.wago.com/770-893/081-000





Item description

Note:

All connectors for mounted installations (snap-in versions for lighting fixtures or devices, all types of PCB and distribution connectors) are factory-equipped with locking levers to ensure plugs and sockets are securely locked. Additional locking levers are only required for flying leads (plug /socket).

Other variants can be requested via the WAGO sales department or, if necessary, configured at <https://configurator.wago.com/>: Other pole markings

Data

Electrical data

Ratings per IEC/EN 60664-1

| | |
|---------------------------------|---|
| Rated voltage (III / 3) | 250 V |
| Rated impulse voltage (III / 3) | 4 kV |
| Rated current | 25 A |
| Legend (ratings) | (III / 3) ± Overvoltage category III / Pollution degree 3 |

Connection data

| | |
|----------------------------|---|
| No. of poles | 3 |
| Total number of potentials | 3 |
| Number of levels | 1 |

Geometrical Data

| | |
|-------------------------|----------------------|
| Pin spacing | 10 mm (0.394 inch) |
| Width | 27 mm / 1.063 inch |
| Height | 29.5 mm / 1.161 inch |
| Height from the surface | 26 mm / 1.024 inch |



| | |
|-----------------------------------|------------------------------------|
| Depth | 14.6 mm / 0.575 inch |
| Solder pin length | 3.5 mm |
| Solder pin dimensions | 1 x 0.8 mm |
| Drilled hole diameter (tolerance) | 1.5 ^(+0.1 ... - 0.1) mm |

Mechanical data

| | |
|---|---|
| Coding | B |
| Mating force of a plug-in connection | approx. 20 ... 70 N (depending on pole number) |
| Retention force of a plug-in connection | when locked: > 80N |
| Unmating force of a plug-in connection | when unlocked: approx. 20 ... 70 N (depending on pole number) |
| Design | straight |
| Marking | 1 2 5 |
| Degree of protection | IP20 |
| Potential marking | 1 2 5 |

Plug connection

| | |
|------------------------------------|---------------------|
| Contact type (pluggable connector) | Male connector/plug |
| Connector connection type | for PCBs |
| Mating direction to the PCB | 90° |
| Locking of plug-in connection | locking lever |
| Locking lever | yes |

PCB contact

| | |
|-------------------------------------|----------------------------|
| PCB contact | THT |
| Solder pin arrangement | 2 in-line solder pins/pole |
| Number of solder pins per potential | 2 |

Material Data

| | |
|-----------------------------|---|
| Color | pink |
| Insulating material | Polyamide 66 (PA 66) |
| Flammability class per UL94 | V0 |
| Contact material | Copper or copper alloy, surface-treated |
| Fire load | 0.145 MJ |
| Weight | 6.677 g |

Environmental Requirements

| | |
|---|---------------|
| Surrounding air (operating) temperature | -35 ... 85 °C |
|---|---------------|

Commercial data

| | |
|--------------------|---------------|
| Country of origin | DE |
| GTIN | 4050821553533 |
| Customs Tariff No. | 85366990990 |

Approvals / Certificates

UL-Approvals

| Logo | Approval | Certificate name |
|--|---|------------------|
|  | cURus Underwriters Laboratories Inc. | E45171 Sec. 9 |

Compatible products

protection



Item no.: 770-360
Lockout cap; for plugs; 5-pole; separable

www.wago.com/770-360

Coding



Item no.: 770-401
Coding pin; for plugs

www.wago.com/770-401

Downloads

smartDATA

CAD data

| | | |
|-----------------------------|-----|----------|
| 3D Download 770-893/081-000 | URL | Download |
|-----------------------------|-----|----------|

Subject to changes.