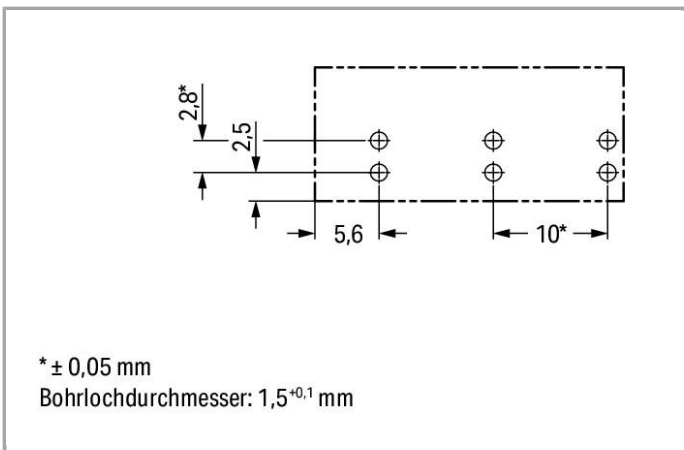
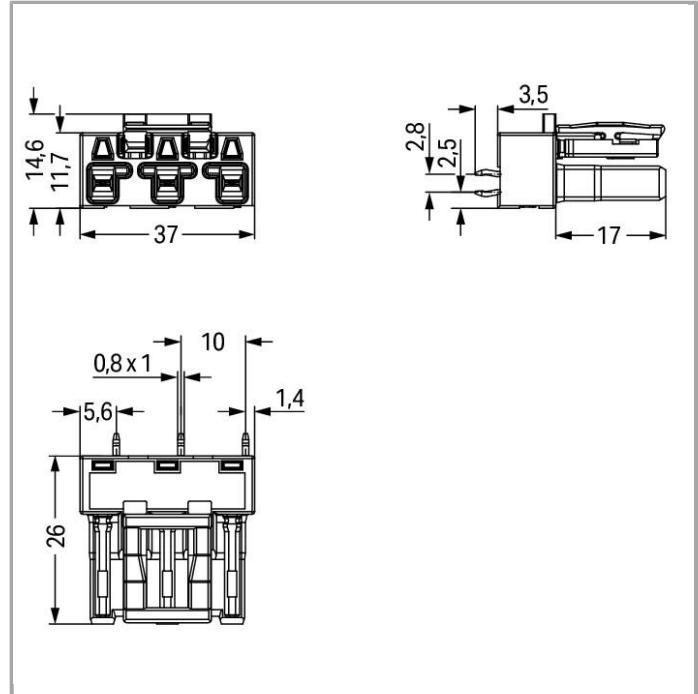
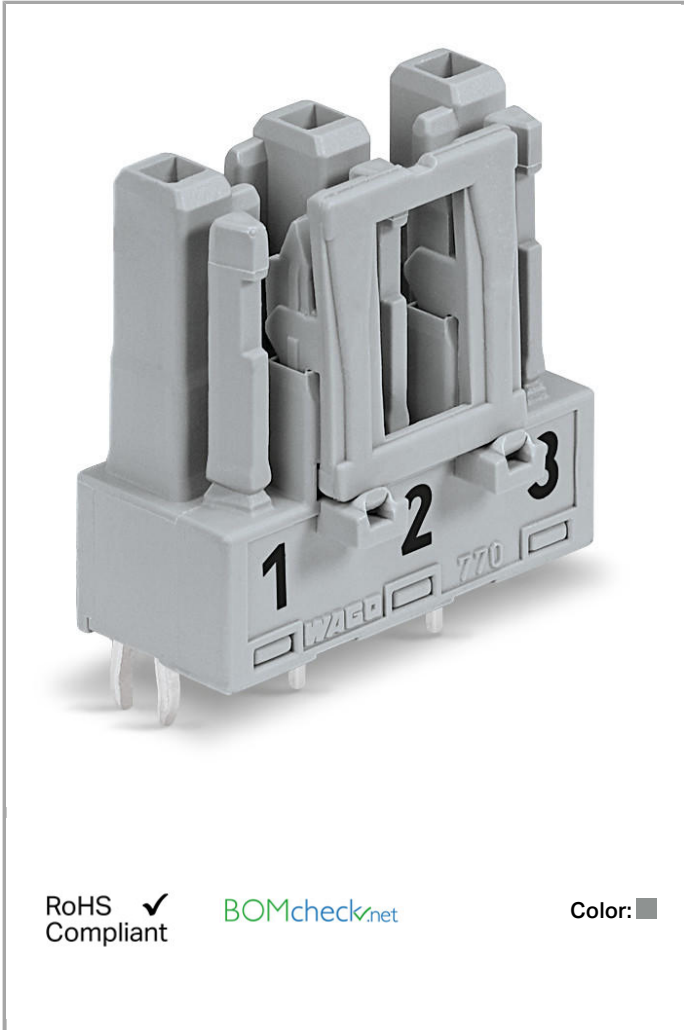


Data sheet | Item number: 770-843/060-000

Socket for PCBs; straight; 3-pole; Cod. B

[www.wago.com/770-843/060-000](http://www.wago.com/770-843/060-000)





## Item description

### Note:

All connectors for mounted installations (snap-in versions for lighting fixtures or devices, all types of PCB and distribution connectors) are factory-equipped with locking levers to ensure plugs and sockets are securely locked. Additional locking levers are only required for flying leads (plug /socket).

Other variants can be requested via the WAGO sales department or, if necessary, configured at <https://configurator.wago.com/>: Other pole markings

## Data

### Electrical data

#### Ratings per IEC/EN 60664-1

Rated voltage (III / 3)	250 V
Rated impulse voltage (III / 3)	4 kV
Rated current	25 A
Legend (ratings)	(III / 3) ≙ Overvoltage category III / Pollution degree 3

### Connection data

No. of poles	3
Total number of potentials	3
Number of levels	1

### Geometrical Data

Pin spacing	10 mm (0.394 inch)
Width	27 mm / 1.063 inch
Height	29.5 mm / 1.161 inch
Height from the surface	26 mm / 1.024 inch
Depth	14.6 mm / 0.575 inch
Solder pin length	3.5 mm
Solder pin dimensions	1 x 0.8 mm
Drilled hole diameter (tolerance)	1.5 <sup>(+0.1 ... - 0.1)</sup> mm

### Mechanical data

Coding	B
Mating force of a plug-in connection	approx. 20 ... 70 N (depending on pole number)
Retention force of a plug-in connection	when locked: > 80N
Unmating force of a plug-in connection	when unlocked: approx. 20 ... 70 N (depending on pole number)
Design	straight



Marking	L N
Degree of protection	IP20
Potential marking	L N

**Plug connection**

Contact type (pluggable connector)	Female connector/socket
Connector connection type	for PCBs
Mating direction to the PCB	90°
Locking of plug-in connection	locking lever
Locking lever	yes

**PCB contact**

PCB contact	THT
Solder pin arrangement	2 in-line solder pins/pole
Number of solder pins per potential	2

**Material Data**

Color	gray
Insulating material	Polyamide 66 (PA 66)
Flammability class per UL94	V0
Contact material	Copper or copper alloy, surface-treated
Fire load	0.119 MJ
Weight	6.371 g

**Environmental Requirements**

Surrounding air (operating) temperature	-35 ... 85 °C
---	---------------

**Commercial data**

Country of origin	DE
GTIN	4050821553212
Customs Tariff No.	85366990990

**Approvals / Certificates****UL-Approvals**

Logo	Approval	Certificate name
	cURus Underwriters Laboratories Inc.	E45171 Sec. 9



## Compatible products

### protection

Item no.: 770-201

Lockout cap; for socket; 12-pole; separable

[www.wago.com/770-201](http://www.wago.com/770-201)

Item no.: 770-221

Lockout cap; for socket; 12-pole; separable

[www.wago.com/770-221](http://www.wago.com/770-221)

## Downloads

### smartDATA

### CAD data

3D Download 770-843/060-000

URL

Download

Subject to changes.

WAGO Kontakttechnik GmbH & Co. KG

Hansastr. 27

32423 Minden

Phone: +49571 887-0 | Fax: +49571 887-169

Email: [info.de@wago.com](mailto:info.de@wago.com) | Web: [www.wago.com](http://www.wago.com)

Do you have any questions about our products?

We are always happy to take your call at +49 (571) 887-44222.