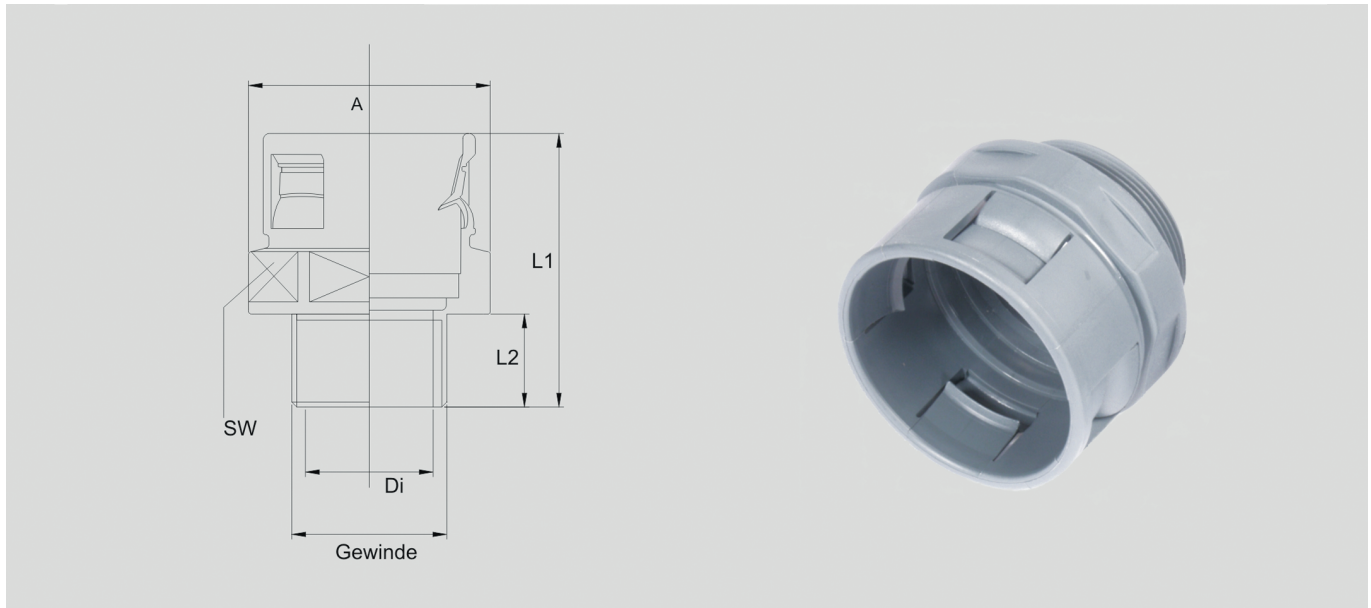


HSSV corrugated tubes conduit gland - straight

male thread, plastic



HSSV gland straight

Quick-insert glands for a reliable, quick connection.
Suitable for parallel-coiled HELUcond protection tubes.

Application

- Plant and machine construction
- Robot construction
- Automation technology
- Vehicle construction and shipbuilding
- Rail technology
- Installation technology
- Control cabinet construction

Material

Polyamide PA 6

Flammability acc. to UL 94: VO

- halogen-free
- cadmium-free

Properties

resistant to a multitude of

- fuels
- mineral oils
- greases
- weak bases
- weak acids

Note

- UR-tested
 - Protection classification: IP 66 with outer seal
 - Threaded connection: metric to EN 60423
- Each unit includes 1 safety opener

Technical data

Protection class: IP 65

Temperature range: -40°C up to +110°C

metric thread

Part no. grey	Part no. black	Size Metric	Suitable for ND	Thread length mm	Spanner size mm	Unit	Net EUR/ 100 items at a purchase of		
							up to 100	101 - 500	501 - 1000
905858	905859	M10 x 1,0	7,5	8,5	14,0	50	o. r.	o. r.	o. r.
94180	94190	M12 x 1,5	10,0	8,9	19,0	50	o. r.	o. r.	o. r.
920183	920184	M16 x 1,5	10,0	9,3	19,0	50	o. r.	o. r.	o. r.
94181	94191	M16 x 1,5	12,0	8,6	21,0	50	o. r.	o. r.	o. r.
94182	94192	M20 x 1,5	16,0 / 17,0	13,0	27,0	50	o. r.	o. r.	o. r.
94183	94193	M25 x 1,5	21,0 / 23,0	14,3	36,0	50	o. r.	o. r.	o. r.
94184	94194	M32 x 1,5	29,0	14,2	40,0	25	o. r.	o. r.	o. r.
94185	94195	M40 x 1,5	36,0 / 37,0	15,0	50,0	25	o. r.	o. r.	o. r.
94186	94196	M50 x 1,5	48,0 / 50,0	15,5	65,0	10	o. r.	o. r.	o. r.
920185	920186	M63 x 1,5	48,0 / 50,0	15,5	65,0	10	o. r.	o. r.	o. r.

PG thread

Part no. grey	Part no. black	Size PG	Suitable for ND	Thread length mm	Spanner size mm	Unit	Net EUR/ 100 items at a purchase of		
							up to 100	101 - 500	501 - 1000
90480	90490	7	7,5	7,0	14,0	50	o. r.	o. r.	o. r.
90481	90491	9	10,0	7,6	19,0	50	o. r.	o. r.	o. r.
90482	90492	11	12,0	8,5	21,0	50	o. r.	o. r.	o. r.
90483	90493	13,5	16,0 / 17,0	9,8	27,0	50	o. r.	o. r.	o. r.
90484	90494	16	16,0 / 17,0	9,9	27,0	50	o. r.	o. r.	o. r.
90485	90495	21	21,0 / 23,0	11,7	36,0	50	o. r.	o. r.	o. r.
90486	90496	29	29,0	11,7	40,0	25	o. r.	o. r.	o. r.
90487	90497	36	36,0 / 37,0	15,0	50,0	25	o. r.	o. r.	o. r.
90488	90498	48	48,0 / 50,0	15,0	65,0	10	o. r.	o. r.	o. r.

Dimensions and specifications may be changed without prior notice.

o. r. = on request