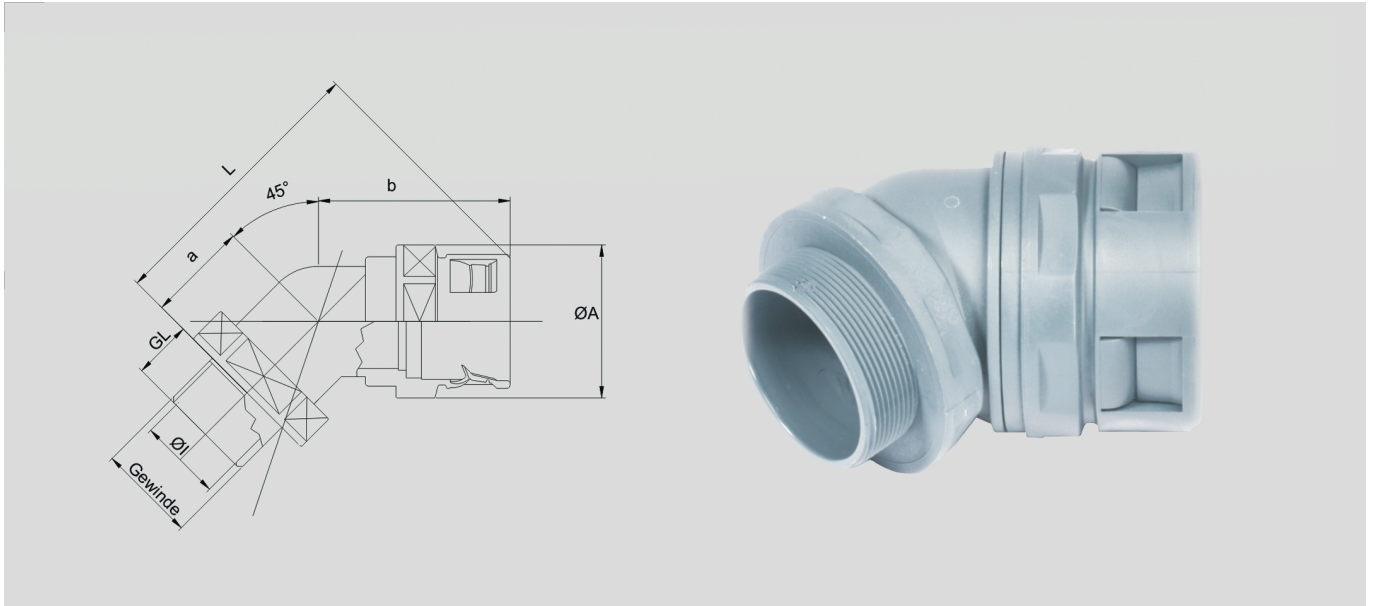


HSSV corrugated tubes conduit gland - elbow 45°

male thread, plastic



HSSV gland 45°

Quick-insert glands for a reliable, quick connection.
Suitable for parallel-coiled HELUcond protection tubes.

Application

- Plant and machine construction
- Robot construction
- Automation technology
- Vehicle construction and shipbuilding
- Rail technology
- Installation technology
- Control cabinet construction

Material

Polyamide PA 6

- halogen-free
- cadmium-free

Properties

resistant to a multitude of

- fuels
- mineral oils
- greases
- weak bases
- weak acids

Note

- UR-tested
- Protection classification:
- IP 66 with outer seal
- Threaded connection:
metric to EN 60423
Each unit includes 1 safety opener.
With PG thread on request.

Technical data

Protection class: IP 65

Temperature range: -40°C up to +110°C

metric thread

Part no. grey	Part no. black	Size Metric	Suitable for ND	Thread length mm	Unit	Net EUR/100 items at a purchase of		
						up to 100	101 - 500	501 - 1000
920196	920204	M25 x 1,5	21,0 / 23,0	15,5	50	o. r.	o. r.	o. r.
920197	920205	M32 x 1,5	29,0	13,6	25	o. r.	o. r.	o. r.
920198	920206	M40 x 1,5	36,0 / 37,0	15,8	25	o. r.	o. r.	o. r.
920199	920207	M50 x 1,5	48,0 / 50,0	16,3	10	o. r.	o. r.	o. r.
920200	920208	M63 x 1,5	48,0 / 50,0	15,4	5	o. r.	o. r.	o. r.

Dimensions and specifications may be changed without prior notice.

o. r. = on request